

GC33-5376-5
File No. S370-36

Systems

**DOS/VS
System Control Statements**

Release 34

IBM

Summary of Amendments

Independent Component Release of IBM 3800 Printing Subsystem support:

Technical Newsletter GN33-9228 documents changes to support the IBM 3800 Printing Subsystem under DOS/VS.

Release 34:

Edition GC33-5376-5 documents:

- Full support of
 - IBM 3350 Direct Access Storage (DOS/VS previously supported the device only in 3330-1 compatibility mode).
 - IBM 3330-11
- Support for dynamically changing the blocking factor for a sequential disk file on an IBM 3350 or 3330-11 through the use of a BLKSIZE parameter in the DLBL job control statement.
- Common device class of PRT1 for 3211-compatible printers (IBM 3211 and IBM 3203-4).
- Improvement of initial program load through the use of an IPL communication device list.
- Inclusion of the functions of the COPYSERV program into the CORGZ program and removal of the COPYSERV program from DOS/VS.
- Integration of support information on System/370 CPUs Models 135-3, 138, 145-3, and 148 and on the IBM 3203-4 printer.

In addition, technical corrections and editorial changes have been made throughout the manual.

The section POWER/VS and Appendix C have been removed from this edition; the information is now contained in DOS/VS POWER/VS Installation Guide and Reference, GC33-6048, and DOS/VS POWER/VS Workstation User's Guide, GC33-6049.

Release 33:

Edition GC33-5376-4 documents:

- Second label information cylinder for the IBM 3340
- POWER/VS enhancements
- Copy Service (COPYSERV) program
- System enhancements

Sixth Edition (April 1977)

This edition, as amended by Technical Newsletter GN33-9228, applies to version 5, Release 34, of the IBM Disk Operating System/Virtual Storage, DOS/VS, and to any subsequent versions and releases until otherwise indicated in new editions or Technical Newsletters. Changes or additions to the text or illustrations are indicated by a vertical line to the left of the change.

Changes are continually made to the information herein; before using this publication in connection with the operation of IBM systems, consult the latest IBM System/370 Bibliography, GC20-0001, for the editions that are applicable and current.

A form for readers' comments is provided at the back of this publication. If the form has been removed, comments may be addressed to IBM Laboratory, Publications Department, Schoenaicher Strasse 220, 7030 Boeblingen, Germany. Comments become the property of IBM.

Requests for copies of IBM publications should be made to your IBM representative or to the IBM branch office serving your locality.

Preface

This manual is provided for those who need to know about the control statements that relate to the SCP (system control programming) of DOS/VS (Disk Operating System/Virtual Storage). The manual consists of the following:

- The sections Initial Program Loader and Job Control describe these general programs of DOS/VS. These sections are of interest to anyone using the system, including system analysts, programmers, and operators. Detailed attention routine, job control statement, and job control command formats are given.
- The sections Linkage Editor and Librarian are of interest to persons responsible for maintaining the resident system. These sections fully describe the control statements for the linkage editor and librarian programs.
- The section System Buffer Load (SYSBUFLD) is of interest to DOS/VS users who have an IBM 3211, 3203, or 5203 Printer attached to their system. The section describes the purpose of SYSBUFLD and how to use it.
- Appendix A contains a summary of job control statements and commands.
- Appendix B contains a summary of the linkage editor.

Prerequisite publication:

DOS/VS System Management Guide,
GC33-5371

Related publications are listed in the bibliography at the back of this book.

Contents

INTRODUCTION	9	RESET	51
Initial Program Loader	9	ROD	52
Job Control	9	RSTRT	52
POWER/VS	9	SET	52
TOLTEP	9	SETDF	54
Linkage Editor	9	SETPRT	54.2
Librarian	10	START	54.6
System Buffer Load (SYSBUFLD)	10	STOP	54.6
Control Statement Conventions	10	TLBL	55
Special Devices	10	TPBAL	55
INITIAL PROGRAM LOADER	11	TPLAB	56
ADD	11	UCS	56
CAT	12	Catalog UCS Buffer Images and Load	
DEL	12	Buffer Example	58
DPD	12	UNBATCH	59
SET	13	UPSI	59
Devices	14	VOL	59
JOB CONTROL	17	XTENT	59
Formatting Statements and Commands	17	ZONE	60
Job Control Statements	17	/+ -- End-of-Procedure	61
Job Control and Attention Commands	18	/* -- End-of-Data File	61
Job Control Statements Summary	18	/ & -- End-of-Job	61
Sequence of JCS and JCC	19	* -- Comments	62
Individual Formats (JCS, JCC, AR)	19	Job Control Statement Examples	62
Job Control Statements and Commands	19	LINKAGE EDITOR	65
ALLOC	19	Language Translator Modules	65
ALLOCR	20	Linkage Editor Control Statements	66
ALTER	22	General Control Statement Format	66
ASSGN	22	PHASE	67
BATCH	29	INCLUDE	71
CANCEL	29	Submodular Structure	72
CLOSE	29	ENTRY	73
DATE	30	ACTION	73
DLAB	30	Linkage Editor Input Considerations	78
DLBL	31	Linkage Editor Job Setup	78
DSPLY	33	Example of Linkage Editor Input and	
DUMP	33	Output	79
DVCDN	34	LIBRARIAN	81
DVCUP	35	Disk Storage Space Required for	
ENDSD	35	Libraries and Directories	83
END or ENTER	35	Directory Sizes	83
EXEC	35	Core Image Library Size	83
EXTENT	37	Relocatable Library Size	83
HOLD	40	Source Statement Library Size	84
IGNORE	40	Procedure Library Size	85
JOB	40	General Control Statement Format	85
LBLTYP	41	MAINT Program	85
LFCB	41	Catalog	86
LISTIO	42	CATALR	86
LOG	42	CATALS	87
LUCB	43	BKEND	87
MAP	44	CATALP	88
MODE	44	Delete	89
MSG	47	DELETC	89
MTC	47	DELETR	90
NEWVOL	48	DELETS	90
NOLOG	48	DELETP	91
OPTION	48	Rename	91
OVEND	51	RENAMC	91
PAUSE	51	RENAMR	92
PRTY	51	RENAMS	92

Retain this page and the Advanced Functions – DOS/VS page

RENAMP	92	SSERV Program113
Condense	93	DSPLY113
CONDS	93	PUNCH113
Condense Limit (CONDL)	94	DSPCH114
Reallocate	94	ESERV Program115
ALLOC	94	GENEND and GENCATALS115
Update	94	DSPLY, PUNCH and DSPCH115
UPDATE	95	Verification and Update Functions115
) ADD	95	General Rules for Update Control	
) DEL	95	Statements:116
) REP	96) COL116
) END	96) VER116
Update Function Invalid Operand) ADD116
Defaults	97) DEL116
CORGZ Program	99) REP117
ALLOC	99) RST117
COPY	99) END117
COPYC100	PSERV Program118
COPYR100	DSPLY118
COPYS100	PUNCH118
COPYP101	DSPCH119
COPYI101	SYSTEM BUFFER LOAD131
Copy Considerations101	SYSBUFLD Program131
Creation of Private Libraries102	FCB131
NEWVOL102	UCB131
MERGE103	User-Written FCB Load Phase134
MERGE Considerations104	User-Written UCB Load Phase134
Service Programs108	SYSBUFLD Messages135
DSERV Program108	SYSBUFLD Under POWER/VS135
DSPLY and DSPLYS108	APPENDIX A: JOB CONTROL SUMMARY137
CSERV Program109	APPENDIX B: LINKAGE EDITOR SUMMARY147
DSPLY109	BIBLIOGRAPHY149
PUNCH110	INDEX151
DSPCH111		
RSERV Program111		
DSPLY111		
PUNCH112		
DSPCH112		

Figures

Figure 1.	Device Type Codes (Part 1 of 2)	15
Figure 2.	JCS, JCC, and AR by Function (Part 1 of 2)	17
Figure 3.	Minimum Size of the Main Page Pool	21
Figure 4.	How the PUB Table is Scanned	27
Figure 5.	Example of LISTIO F1 Output	43
Figure 6.	Example of Storage Allocation Map	44
Figure 7.	Job Control Statement Examples	64
Figure 8.	Placement of PHASE and INCLUDE Statements	67
Figure 9.	Partition Storage Map (Part 1 of 3)	75
Figure 10.	Example of Linkage Editor Input and Output	80
Figure 11.	Logical Units Required and Used by the Librarian Programs	81
Figure 12.	Calculation of the Tracks Required for Directories	82
Figure 13.	When can Condense be Performed	93
Figure 14.	Example 1 of an Update Job Stream	98
Figure 15.	Update Activity Log for Job Stream 1	98
Figure 16.	Example 2 of an Update Job Stream	98
Figure 17.	Example of a Job Setup to Duplicate SYSRES on a 2316 Disk Pack	102
Figure 18.	Direction of Transfer for Merge Operations	105
Figure 19.	Example of Job Setup to Use the MERGE Function on a 2316 Disk Pack (Part 1 of 2) .	106
Figure 20.	Maintenance Functions, Example (Part 1 of 3)	120
Figure 21.	Service Functions, Example (Part 1 of 3) . .	123
Figure 22.	Copy Function, Example (Part 1 of 5)	126
Figure 23.	FCB SYSIPT Load Examples for PRT1 Printer .	133
Figure 24.	System Buffer Load Example	134
Figure 25.	FCB Load Program	134
Figure 26.	Job Control Summary (Part 1 of 8).	138

Introduction

This manual contains descriptions of control statements and commands. These statements and commands (except those involving POWER/VS and TOLTEP) are described in detail in the following chapters.

INITIAL PROGRAM LOADER

Before a job can be entered into the system for execution, the supervisor must be read into the supervisor area of real storage and the job control program must be loaded into the virtual background partition. To do this, the operator starts the system by following the initial program load (IPL) procedure.

JOB CONTROL

After the system has been successfully started by means of the IPL procedure, it is ready to accept input for execution. Job control statements are entered via SYSRDR, job control commands via SYSLOG.

Job control runs in any virtual partition. It performs its functions between jobs and job steps. It is not present in the partition while a problem program is being executed.

The term END corresponds to the END key on the IBM 3210 and 3215 Console Printer-Keyboards (SYSLOG for IBM System/370 Models 135 and 145).

The term ENTER corresponds to the ENTER key on the display console.

END and ENTER are used as message terminators on their respective systems. Thus, the term END/ENTER is used in this publication in reference to SYSLOG for the IBM System/370.

POWER/VS

POWER/VS is a reader/writer spooling system that provides automatic staging of unit-record input and output, class scheduling, and priority scheduling for all DOS/VS programs executed under its control.

POWER/VS resides in one partition of DOS/VS

and controls from one to four other partitions, provided that these have a lower dispatching priority than that of the POWER/VS partition. POWER/VS is executed in virtual mode. Programs executed under control of POWER/VS may be executed not only in virtual mode but also in real mode.

In order to perform the required functions concurrently, POWER/VS is structured into a series of asynchronously executed tasks. All necessary task support is provided within POWER/VS and does not presuppose the presence of multitasking support within the DOS/VS supervisor.

For a complete description of the POWER/VS commands, see DOS/VS POWER/VS Installation Guide and Reference, GC33-6048, and DOS/VS POWER/VS Workstation User's Guide, GC33-6049.

TOLTEP

The Teleprocessing Online Test Executive Program (TOLTEP) can be considered as part of the IBM Virtual Telecommunications Access Method (VTAM). It is started when VTAM is started, and shares the VTAM partition as the highest priority subtask of VTAM. TOLTEP, VTAM, and the DOS/VS Online Tests form the Online Test System (OLTS). This system allows the testing of terminals supported by VTAM with minimum interference to other programs running in the system. TOLTEP for VTAM functions as an interface between the system and the test programs, and provides communication between the TOLTEP program and any user at a terminal recognized by VTAM and capable of alphameric character input and output. For a more detailed description of TOLTEP for VTAM and the operating procedures available, see the publication DOS/VS and OS/VS TOLTEP for VTAM, GC28-0663.

LINKAGE EDITOR

Prior to execution in storage, all programs must be placed in a core image library by the linkage editor.

The linkage editor prepares a program for execution by editing the output of a language translator into core image format. The linkage editor also combines separately assembled or compiled program sections or subprograms into phases.

LIBRARIAN

DOS/VS supports four types of libraries:

- Core image library - contains the output from the linkage editor (executable program phases).
- Relocatable library - contains the output of a language translator (object modules) which is used as input to the linkage editor.
- Source statement library - contains books (source language statements, macro definitions, and pre-edited macro definitions) used as input to a language translator.
- Procedure library - stores procedures, that is, sets of system control statements and (optionally) SYSIPT data. The procedures are used to build or complete job streams.

SYSTEM BUFFER LOAD (SYSBUFLD)

SYSBUFLD is a self-relocating special service control processing program for DOS/VS users with IBM 3211, 3203, and 5203 printers. It can be executed as a job or job step to load the Forms Control Buffer (FCB) and the Universal Character Set Buffer (UCB) of the 3211, 3203, and 5203.

CONTROL STATEMENT CONVENTIONS

The conventions used in this publication to illustrate control statements are as follows:

1. Uppercase letters and punctuation marks (except as described in items 3 through 5 below) represent information that must be coded exactly as shown.
2. Lowercase letters and terms represent information that must be supplied by the programmer.
3. Information contained within brackets [] represents an option that can be

included or omitted, depending on the requirements of the program. Stacked options contained within brackets, for example

[A]
[B]

represent alternatives, one and only one of which may be chosen.

4. Options contained within braces {} represent alternatives, one of which must be chosen.
5. An ellipsis (...) indicates that a variable number of items may be included.
6. Underlined elements represent an assumed option in the event a parameter is omitted.
7. Parentheses must be coded as shown.

In general, such commands and statements which are entered by cards can not be extended on to the next card (continuation card). Exceptions to this are the job control statements DLAB, DLBL, SETPRT, and TPLAB and the POWER/VS job entry control language (JECL) statements. For exact continuation rules, refer to the respective formatting instructions.

For this manual, alphameric characters are defined to include the following: A - Z, 0 - 9, @, \$, and #.

In case of any difference between the conventions given in this manual for control program functions and those appearing in IBM-supplied DOS/VS component publications, observe the specific restrictions of the component.

SPECIAL DEVICES

The following devices that are mentioned are not available in the United States of America:

- IBM 1270 Optical Reader/Sorter
- IBM 1275 Optical Reader/Sorter.

Initial Program Loader

Operation of DOS/VS is initiated through an initial program load (IPL) procedure from the resident disk pack. The first record on track 0 is read into bytes 0-23 of real storage. The information read in consists of an IPL PSW and two CCWs, which in turn read and load the IPL.

The wait state is entered, at which time the device to be used for SYSLOG must be specified by means of an attention interrupt (press REQUEST/ENTER). Then the name of the supervisor to be loaded must be specified via SYSLOG.

Operating in the supervisor state, IPL reads the supervisor nucleus into low storage. If a read error is sensed while reading the supervisor nucleus, the wait state is entered and an error code is set in the first word of virtual storage. The IPL procedure must then be restarted.

After successfully reading in the supervisor nucleus, IPL performs these operations:

- Places the CPU in the EC mode.
- Sets the LUB table entry for SYSRES to point to the PUB entry of the channel and unit number of the resident drive.
- Places the processing unit in the wait state with all interruptions enabled.

(The operator then causes an interrupt, which in turn will cause IPL to read its commands from the card reader, or from the printer-keyboard or DOC -- Display Operator Console.)

- Changes the PUB configuration, if indicated, by ADD or DEL commands or control cards.
- Scans the PUB table to take special action for any IBM 3211, 3203, 3800, or 5203 Printers that are attached to the system.

The following describes the IPL commands: ADD, CAT, DEL, DPD, and SET.

ADD

To add a device to the PUB table, a command, read by the communication device

(SYSLOG or SYSRDR), in the following format is required.

```
ADD X'cuu'[(k)],devicetype [ ,X'ss'
                             ,X'ssss'
                             ,X'ssssss' ]
```

where:

X'cuu' = channel and unit numbers.

k can be specified as either S or a decimal number from 0 to 255:

S indicates that the device can be switched (that is, physically attached to two adjacent channels). The designated channel is the lower of the two channels.

0 to 255 indicates the priority of a device that cannot be switched, with 0 indicating the highest priority. If k is not given, the assumed priority is 255.

devicetype = actual device (2400T9, 1443, etc.). See type codes in Figure 1.

X'ss' = device specifications (see ASSGN Statement). If absent, X'ssss' the following values are assigned: X'ssssss'

X'C0' for 9-track tapes (2400, 3410 series)
 X'D0' for 9-track tapes (3400 series)
 X'90' for 7-track tapes
 X'00' for nontapes
 X'00', X'01', X'02', and X'03' are invalid as X'ss' for magnetic tape.

X'ss' specifies SADxxx (Set Address) requirements for IBM 2702 lines:

X'00' for SAD0
 X'01' for SAD1
 X'02' for SAD2
 X'03' for SAD3

This information is not accepted on the ASSGN statements.

X'ss' is required for 1270, 1275, 1412, 1419, and 1419P device types. It specifies the external interrupt bit

associated with magnetic ink or optical character readers. The setting X'01' through X'20' correspond to the external interrupt code in low real storage byte 87, bits 7 through 2 respectively. The corresponding external lines to which the control units are attached are as follows:

X'01' byte 87 bit 7
 X'02' byte 87 bit 6
 X'04' byte 87 bit 5
 X'08' byte 87 bit 4
 X'10' byte 87 bit 3
 X'20' byte 87 bit 2

The X'ss' parameter specifies whether or not the error correction feature is present on an IBM 1018 Paper Tape Punch with 2826 Control Unit Model 1. X'ss' can be:

X'00' no error correction feature
 X'01' error correction feature

For the 3704 and the 3705, X'ss' is required and must be specified as one of the following:

X'01' Type 1/4 channel adapter
 X'02' Type 2/3 channel adapter

For the 2703 of the Model 115 or 125, X'ss', X'ssss', or X'ssssss' is used to specify the line mode setting for a Start/Stop line or a BSC line.

The bit settings of the line mode specification for each line involved are explained in IBM System/370 Model 115

Functional Characteristics,

GA33-1510, and in IBM System/370 Model 125

Functional Characteristics,

GA33-1506, respectively. For POWER/VS RJE that uses a 2780 or 2770 terminal, you could, for instance, specify

X'008400' for a non-switched line, or
 X'00C400' for a switched line

between the terminal and your Model 115 or 125.

The line mode setting is not accepted on the ASSGN statement. If a one or two byte value is specified, the

specified value is right-justified and the rest of the three bytes is filled with zeros.

CAT

For VSAM files, the operator can issue the CAT command to assign the VSAM master catalog (logical unit SYSCAT) to a disk. The IPL assignment overrides a system generation SYSCAT assignment, if one was made, until the next IPL procedure. CAT may only be issued between the SET and DPD statements. The CAT command is entered from the card reader, the 3210, 3215, or the Display Operator Console. The format is:

CAT UNIT=X'cuu'

where cuu is the channel and unit of the disk to be assigned to SYSCAT.

DEL

To delete a device from the PUB table, a command, read by the communication device (SYSLOG or SYSRDR), in the following format is required:

DEL X'cuu'

where cuu is the channel and unit numbers of the device to be deleted.

DPD

The DPD command defines the page data set. The operation code of this command must always be specified during the IPL procedure. All operands are optional; they need be specified only if the required information was not supplied during system generation or if changes in the definition are desired. The DPD command must be the last command entered during the IPL procedure.

DPD [TYPE={N}] [,UNIT=X'cuu',CYL=xxx]
 [F] [,VOLID=xxxxxxx]

The operands of the DPD command may be given in any order.

TYPE TYPE=N indicates that the page data set need not be formatted and the extent limits have not been changed.

If TYPE=N is specified but the page data set does not exist or the extent limits have been changed, TYPE=N is ignored and the page data set is formatted during IPL. In this case, the UNIT and CYL operands must either have been supplied during system generation, or they must be specified in the DPD command.

TYPE=F indicates that the page data set is to be formatted during IPL. Formatting during IPL is required if the page data set is to be extended or if it is to be reallocated.

UNIT UNIT=X'cuu' specifies the channel and unit number (in hexadecimal) of the device that is to contain the page data set. If UNIT is specified, CYL must also be specified.

CYL CYL=xxx specifies the sequential number of the cylinder, relative to zero, where the page data set is to begin (in decimal). (The size of the page data set extent is calculated by the system.) If CYL is specified, UNIT must also be specified.

SYSVIS is the logical unit name of the page data set. It is created at IPL time from information provided by the system generation macro DPD and/or the IPL DPD command. The user specifies the beginning cylinder address and the system calculates the size of the disk extent which is a function of the VSIZE (virtual address area specified by the user) specification and the disk device type, as follows:

$\frac{VSIZE}{2}$ = number of pages (blocks of 2K bytes).

Disk Device Type	Blocks per Cylinder
2314	60
3330	114
3340	36
3350	240

The allocation requires full cylinders.

The IBM-supplied supervisor does not contain any DPD macro parameters. Therefore, when you IPL, you must enter all operands of the DPD command, including TYPE=F. The IBM-supplied supervisor has a VSIZE of 128K and consequently one cylinder on a 3330 or 3350 or two cylinders on a 2314 or 3340 are required.

VOLID VOLID=xxxxxx identifies the volume serial number (one to six alphabetic or numeric characters) of the disk pack that contains the page data

set. If this operand is omitted both during system generation and in the DPD command, the volume serial number is not checked.

SET

Besides the DPD command, the only communication required at IPL time is the SET command. If any ADD or DEL commands are required, they must precede the SET command. The SET command must precede the DPD command. The SET command is entered via the communications device (3210, 3215, 3277, Display Operator Console, or card reader) and is in the following format:

```
SET      [DATE=value1,CLOCK=value2]
         [,ZONE={EAST}/hh/mm]
         {WEST}
```

value1 - Specifies the year, month, and day of the month in one of the following formats (depending on the installation's standard established during system generation):

mm/dd/yy
dd/mm/yy

value2 - Specifies the local time-of-day in the format hh/mm/ss.

EAST - Specifies that the installation is located at a geographical position east of Greenwich.

WEST - Specifies that the installation is located at a geographical position west of Greenwich.

hh/mm - A decimal value which indicates the difference in hours and minutes between local time and Greenwich Mean Time. hh may be in the range 0-12, mm in the range 0-59.

The parameters that have to be specified with the SET command depend upon the type of system and the type of communications device used. The following groups can be distinguished:

1. If the TOD clock is in the set state, the command may be given in one of the four possible forms:

```
SET
SET ZONE=
SET DATE= ,CLOCK=
SET DATE= ,CLOCK= ,ZONE=
```

2. If the TOD clock is in the not-set state, the command must be given in either of two forms:

```
SET DATE=      ,CLOCK=  
SET DATE=      ,CLOCK=      ,ZONE=
```

3. If the TOD clock is inoperative, the command must be given in the form:

```
SET DATE=      ,CLOCK=
```

switch must be depressed to the ENABLE SET position.

4. Use of parameters.

Although, when the TOD clock is in the set state, no parameters need to be specified with the SET command, it is strongly recommended to do so, for reasons of error recovery.

Notes:

1. 3210/3215/DOC/3277.

If the TOD clock is in the set state, message 0I30I is printed. If the TOD clock is in the not-set state, message 0I31A is printed. If the TOD clock is inoperative, messages 0I32I and 0I31A are printed.

5. The date and time-of-day supplied in the SET command for systems that have TOD clock support should be realistic values, that is, the difference between local time and GMT may not be more than twelve hours, hh may not be more than 12, and mm may not be more than 59. The time-of-day clock should always contain the exact time (that is the time that has elapsed since January 1, 1900, 00.00 a.m.).

2. Card Reader.

No messages are given.

DEVICES

Figure 1 lists the device types available with DOS/VS. This figure shows the device type codes to be used in ADD commands when adding devices to the system.

3. CLOCK parameter.

When using the CLOCK parameter of the SET command, the time-of-day security

Device Type Codes	Actual IBM Device	Device Type
2400T9 2400T7 3410T9 3410T7 3420T9 3420T7	9-track Magnetic Tape Units (2400-series) 7-track Magnetic Tape Units (2400-series) 9-track Magnetic Tape Units (3400-series) 7-track Magnetic Tape Units (3400-series) 9-track Magnetic Tape Units (3400-series) 7-track Magnetic Tape Units (3400-series)	Magnetic Tape Devices
2495TC 1442N1 2520B1 2596 3525RP 2560 5425	2495 Tape Cartridge Reader 1442N1 Card Read Punch 2520B1 Card Read Punch 2596 Card Read Punch 3525 Card Read Punch (with optional read feature) 2560 Multifunction Card Machine 5425 Multifunction Card Unit	Tape Cartridge Reader Card Read Punches
2501 2540R 3504 3505	2501 Card Reader 2540 Card Reader 3504 Card Reader 3505 Card Reader	Card Readers
2540P 2520B2 1442N2 2520B3 3525P	2540 Card Punch 2520B2 Card Punch 1442N2 Card Punch 2520B3 Card Punch 3525 Card Punch	Card Punches
PRT1 1403 1403U 1443 2245 3211 5203 5203U 3203 3525P 3800 3800B 3800C 3800BC	3211 or 3203-4 Printer 1403 Printer 1403 Printer with UCS feature 1443 Printer 2245 Kanji Printer 3211 Same as PRT1 5203 Printer 5203 Printer with UCS feature 3203 Printer (Models 1 and 2) 3525 Card Punch (with optional print feature) 3800 Printing Subsystem 3800 Printing Subsystem with optional Burst-Trim-Stacker 3800C 3800 Printing Subsystem with additional character generation storage 3800BC 3800 Printing Subsystem with Burst- Trim-Stacker and additional character generation storage	Printers Note: The 3203-4 Printer has PRT1 (or 3211) as device type code.
1050A	3210, 3215 Console Printer-Keyboards	Printer-Keyboards
125D 125DP 3277	Model 125 Integrated Display Operator Console Model 125 Integrated Display Operator Console with optional Console Printer 3277 Display Console	Display Units
UNSP UNSPB	Unsupported Device Unsupported Device	Note: No burst mode on Multiplexer channel Burst mode on multiplexer channel.
2311 2314 2314 3330 3330 3330B	2311 Disk Drive 2314 Direct Access Storage Facility 2319 Disk Storage Facility 3330-1, 3330-2, or 3333-1 Disk Storage 3350 in 3330 compatibility mode 3330-11 Disk Storage	DASD

Figure 1. Device Type Codes (Part 1 of 2)

Device Type Codes	Actual IBM Device	Device Type
3330B 3340R 3340R 3340 3350 2321	3350 in 3330-11 compatibility mode 3340 Disk Storage with Rotational Position Sensing (RPS) feature 3344 Direct Access Storage 3340 Disk Storage without RPS feature 3350 Disk Storage 2321 Data Cell Drive	DASD
3540	3540 Diskette Input/Output Unit	Diskette Input/Output Units
1419 1419 1419 1419P 1419S	1255 Magnetic Character Reader 1259 Magnetic Character Reader 1419 Magnetic Character Reader 1419 Dual Address Adapter Primary Control Unit 1419 Dual Address Adapter Secondary Control Unit	MICR-Magnetic Ink Character Recognition Devices
2701 2701 2702 2703 2703 2703 3704 3705 3791L	2701 Data Adapter Unit Integrated Communications Adapter (Model 135) 2702 Transmission Control Unit 2703 Transmission Control Unit 2703 Integrated Communications Adapter (Models 115 and 125) 3705 Communications Controller in Emulation Mode 3704 Communications Controller in Network Control Mode 3705 Communications Controller in Network Control Mode 3791 Communications Controller	Teleprocessing Lines SNA Cluster Controller
2955	2955 Data Adapter Unit	Data Link for RETAIN
1017 1017TP 2671	1017 Paper Tape Reader with 2826 Control Unit Model 1 1017 Paper Tape Reader with 2826 Control Unit Model 2 2671 Paper Tape Reader	Paper Tape Readers
1018 1018TP	1018 Paper Tape Punch with 2826 Control Unit Model 1 1018 Paper Tape Punch with 2826 Control Unit Model 2	Paper Tape Punches
1419 1419P 1419S 1287 1288 3881 3886	1270 Optical Reader Sorter 1275 Optical Reader Sorter Primary Control Unit 1275 Optical Reader Sorter Secondary Control Unit 1287 Optical Reader 1288 Optical Page Reader 3881 Optical Mark Reader 3886 Optical Character Reader	Optical Readers
2260 3277 3277B	2260 Display Station or 1053 Printer 3277 Display Station or 3284-86 Printer 3277 Display Station or 3284-86 Printer running in burst mode on the MPX channel	Display Station
7770	7770 Audio Response Unit	Audio Response Units

Figure 1. Device Type Codes (Part 2 of 2)

Job Control

This chapter contains descriptions, formats, and usages of the job control commands and statements, and attention routine commands, which are identified as follows:

job control statement - JCS

job control command - JCC

attention routines - AR

Figure 2 contains the commands and statements grouped by function, and also indicates the programs or routines for which they are valid. An alphabetical overview of all statements and commands is given in Appendix A.

Formatting Statements and Commands

JOB CONTROL STATEMENTS

Job control statements conform to the general rules for formatting DOS/VS control statements.

- Name.** Two slashes (//) identify the statement as a control statement. They must be in columns 1 and 2. At least one blank must immediately follow the second slash. **Exception:** The end-of-job statement contains /% in columns 1 and 2, the end-of-data-file statement contains /* in columns 1 and 2, the end-of-procedure statement contains /+ in columns 1 and 2, and the comment statement contains * in column 1 and blank in column 2.
- Operation.** Describes the operation to be performed. It can be up to eight characters long. At least one blank follows its last character.
- Operand.** May be blank or may contain one or more entries separated by commas. The last term must be followed by a blank, unless its last character is in column 71. Any blank within the operand fields, except for fields contained within apostrophes, is considered an end-of-operand indication. No further processing of that statement occurs.

Type of Command or Statement	Operation	Valid for		
		JCS	AR	JCC
Job Identification	JOB	X		
	/%	X		
	/+	X		
File Definition	DLAB	X		
	DLBL	X		
	EXTENT	X		
	TLBL	X		
	TPLAB	X		
	VOL	X		
	XTENT	X		
	/*	X		
Pass Information to Operator	*	X		
Pass Information to Program	DATE	X		
	LBLTYP	X		
	OPTION	X		
	OVEND	X		X
	UPSI	X		
Job Stream Control	BATCH		X	
	CANCEL		X	X
	PAUSE	X	X	X
	PRTY		X	
	START		X	
	STOP			X
	TPBAL		X	
	UNBATCH			N1
Setting System Parameters	ALLOC		X	X
	ALLOCR		X	X
	SET			X
Operator Communications	ALTER		X	
	DSPLY		X	
	DUMP		X	
	END or			
	ENTER key		X	X
	ENDSD		X	
	IGNORE		X	X
	LOG		X	X
	MSG		X	
	MODE		X	
	NEWVOL		X	
	NOLOG		X	X
	ZONE	X		
N1 Valid only in a foreground partition.				

Figure 2. JCS, JCC, and AR by Function (Part 1 of 2)

Retain this page and the Advanced Functions -- DOS/VS page

Type of Command or Statement	Operation	Valid for		
		JCS	AR	JCC
Control of I/O System	ASSGN	X		X
	CLOSE	X		X
	DVCDN			X
	DVCUP			X
	HOLD			X
	LFCB		X	
	LISTIO	X		X
	LUCB		X	
	MAP		X	X
	MTC	X		X
	RESET	X		X
	ROD			X
	SETDF		X	
SETPRT	X		X	
UCS			X	
Execution of Program	EXEC	X		X
	RSTRT	X		

Figure 2. JCS, JCC, and AR by Function (Part 2 of 2)

JOB CONTROL AND ATTENTION COMMANDS

Job control commands and attention commands contain the operation code, at least one blank and then the specified parameters. The parameters are separated by commas. The operation code usually begins in column 1 of the command, but this is not required.

- In contrast to job control statements (JCS), which are normally entered by the programmer, commands (job control and attention) are normally entered by the operator.
- Job control commands (JCC) are issued between jobs or job steps and are entered through SYSRDR or SYSLOG. (Job control statements, on the other hand, are usually coded as part of the input stream and are entered through SYSRDR.)
- Attention commands (AR) can be issued at any time by pressing the request key on SYSLOG. Some of these commands can be issued only in a multiprogramming environment.
- Some AR commands are used in conjunction with DOS/VS VTAM network operator commands. This usage is described in DOS/VS VTAM Network Operating Procedures, GC27-0025.

JOB CONTROL STATEMENTS SUMMARY

All job control statements are essentially free form. Information starts in column 1 and cannot extend past column 71. Continuation cards are not recognized by job control. For the exception to this rule, see the descriptions of the DLAB, DLBL, SETPRT, and TPLAB statements.

Job control normally reads from the device identified by the symbolic name SYSRDR. However, job control statements can also be entered through SYSLOG, or they may be retrieved from the procedure library, where they were previously cataloged. A brief description of the job control statements follows.

ASSGN	Used at execution time to assign a specific device address to the symbolic unit name used.
CLOSE	Closes either a system or a programmer logical unit assigned to tape, disk, or diskette.
DATE	Contains a date that is put in the communications region.
DLBL ¹	Contains file label information for DASD or diskette label checking and creation.
EXEC	Indicates the end of job control statements for a job step and that a cataloged procedure is to be retrieved before a job step is executed.
EXTENT ¹	Defines each area, or extent, of a DASD file or diskette volume.
JOB	Indicates the beginning of control information for a job.
LBLTYP	Defines the amount of storage to be reserved at link-edit time for processing tape and nonsequential DASD file labels in the partition.
LISTIO	Used to get a listing of I/O assignments. Ignored by job control if SYSLST is not assigned.
MTC	Controls operations on logical units to IBM 2400/3400 series magnetic tapes.
OPTION	Specifies one or more of the job control options.
OVEND	Indicates that no more overwrite statements will follow for the respective procedure.
PAUSE	Causes a pause immediately after processing this statement.
RESET	Resets I/O assignments to the standard assignments.
RSTRT	Restarts a checkpointed program.
SETPRT	Loads the IBM 3800 buffers.
TLBL ¹	Contains file label information for tape label checking and writing.
UPSI	(User Program Switch Indicators) Allows the user to set program switches that can be tested.
ZONE	Initializes the zone field in the communications region.
/*	Indicates the end of a data file or the end of a job step.
/6	Indicates the end of a job.
*	Job control comments.
/+	Indicates the end of a procedure.

Programming support continues for the following job control statements provided in previous versions of the system.

DLAB¹ | Contains file label information for IASD label checking and creation.
 TPLAB¹ | Contains file label information for tape label checking and writing.
 VOL¹ | Used when a set of label information for magnetic tape file or a DASD file is specified. It is not required with the current DLBL, EXTENT, or TLBL statements.
 XTENT¹ | Defines each area, or extent, of a DASD file. It is used in conjunction with the VOL and DLAB statements.

¹ The combination of DLAB, VOL, and XTENT statements should not be used to supply the extent and label information for the IBM 3330, 3333, 3340, and 3350. To supply this information, use the DLBL and EXTENT statements.

The combination of VCL and TPLAB statements contains file label information for tape label checking and writing. These two statements can be replaced by the TLBL statement.

Any job control statement other than these is recognized as an error. A message is issued so that the programmer or operator can correct the statement in error. Some of the errors recognized are:

- Invalid symbolic unit name.
- No space reserved in LUB table for a symbolic unit.
- Invalid device type.
- Invalid length of field.
- Invalid character.
- Missing /& statement.
- A volume (VOL) statement does not precede a label (DLAB or TPLAB) statement.
- An EXTENT statement does not immediately follow its associated DASD label (DLBL) statement.

Whenever an invalid statement is indicated, the statement must be reissued to be effective. For example, if an OPTION LINK

is encountered without a SYSLNK assignment, the OPTION statement must be reentered after assigning SYSLNK.

SEQUENCE OF JCS AND JCC

The job control statements for a specific job always begin with a JOB statement and end with a /& (end-of-job) statement. A specific job consists of one or more job steps. Each job step is initiated by an EXEC statement. Preceding the EXEC statement are any job control statements necessary to prepare for the execution of the specific job step. The only limitation on the sequence of statements preceding the EXEC statement is that DLBL statements must immediately precede the corresponding EXTENT statements. If the DLBL and EXTENT statements for a private core image library, SYSIN, SYSIPT, SYSRDR, SYSLST, and/or SYSPCH are in the input stream (if the information is not contained on the label cylinder), they must precede the ASSGN SYSCLB statement. If the DLBL and EXTENT statements for a temporary SYSLNK are in the job stream, they should precede the OPTION LINK or OPTION CATAL statement.

The LBLTYP statement is used at link-edit time and must precede the // EXEC LNKEDT statement; for self-relocating programs, however, it is submitted immediately preceding the // EXEC statement for the program.

INDIVIDUAL FORMATS (JCS, JCC, AR)

Detailed descriptions of the formats and functions of individual JCS, JCC, and AR statements and commands follow in alphabetic sequence. If the JCC and AR formats coincide, this is indicated by a combined heading, JCC and AR Format.

Job Control Statements and Commands

ALLOC

The ALLOC command (Allocate Virtual Address Area) permits the operator to allocate address space in the virtual address area (not already allocated to the shared virtual area) to foreground partitions. The number of bytes to be allocated for a foreground partition is specified in 2K (2048 bytes) increments.

Note: ALLOC cannot be specified for a single-partition system.

JCC and AR Format

ALLOC Fn=mK [,Fn=mK] ...

m indicates the amount of storage to be allocated to the partition n.

The order of operands is arbitrary. At least one operand must be specified. The maximum number of operands is one less than the number of partitions specified during system generation in the NPARTS parameter of the SUPVR macro.

The value m should be an even integer. m must not be smaller than 64 for an active foreground partition. Any specification smaller than 64 is flagged and must be corrected; any uneven specification greater than 64 is rounded up to the nearest even integer.

Note also that the size of the shared virtual area (SVA) must be taken into account. (Refer to the SET command for more details.) If VSAM is to be executed from the SVA, a GETVIS area of approximately 30K is required in the partition. If VSAM is to be executed in the partition, a GETVIS area of approximately 200K is required in that partition.

The following considerations apply to storage allocation among foreground and background programs that run in virtual mode:

1. Allocation of virtual partitions starts at the address immediately preceding the SVA, which is at the high end of the virtual address area. The areas are always contiguous, with no gaps between the allocated partitions. If the size of one or more partitions is changed, the boundaries of the remaining partition(s) are moved accordingly.
2. The size of the virtual background partition is not allocated or changed explicitly, but is changed implicitly by allocating or changing the size of one or more virtual foreground partitions. Storage neither allocated to the virtual foreground partitions nor to the shared virtual area automatically belongs to the virtual background. The virtual background must always have at least 64K bytes. The partition can be stopped by the STOP command, but not unbatched by the UNBATCH command.
3. The size of the virtual foreground partitions must always be allocated or changed explicitly. The size of an unspecified virtual foreground partition is not changed. When changing the size of one or more virtual foreground partitions, the

starting and/or end addresses of the remaining partition(s) change accordingly. The ALLOC command must therefore be used with care with regard to programs which are linked to specific load addresses and which cannot be relocated.

4. To delete a virtual foreground partition from the system, you must issue an ALLOC command specifying a size of 0K for the respective partition. Only an inactive partition can be deleted. A foreground partition is inactive if it has been unbatched (by the UNBATCH Command) or if it has never been activated (by the BATCH or START command).
5. The maximum permissible size of the virtual background partition is the size of the virtual address area minus the size of the SVA specified for the system. The maximum size allowed for a virtual foreground partition is the size of the virtual address area minus 64K for the virtual background and minus 64K for the SVA.
6. No allocation takes place when the ALLOC command would move the start address of a virtual partition upwards and/or the end address downwards while a program is running in that partition.

Exception: The end address of the partition in which job control is processing an ALLOC command may be moved downwards so that a partition of 64K remains.

If the rules listed are violated, corresponding error messages (1P0nD or 1S0nD) are issued, indicating that the ALLOC command was rejected and that a correct command has to be entered.

ALLOCR

The ALLOCR command (Allocate Real Storage) permits the operator to allocate the real address area among foreground and background programs, that is, to allocate real partitions. The number of bytes to be allocated is specified in 2K increments.

Note: ALLOCR cannot be specified for a single-partition system.

JCC and AR Format

ALLOCR [BGR=mK] [,FnR=mK] ...

m indicates the amount of storage to be allocated to the background (BGR) or foreground partition n.

The order of operands is arbitrary; at least one operand must be specified. The maximum number of operands is equal to the number of partitions specified during system generation in the NPARTS parameter of the SUPVR macro.

m should be an even integer; any uneven specification is rounded up to the nearest even integer. m may also be zero.

The following considerations apply to storage allocation in the real address area:

1. Allocation starts at the end of the supervisor. The areas are always contiguous, with no gaps between the allocated partitions. The main page pool is at the high end of the real address area. If the size of one or more real partitions is changed, the boundaries of the remaining partition(s) are moved accordingly. For this reason the ALLOCR command must be handled with care with regard to programs that are linked to specific load addresses in real storage and which cannot be relocated.

Note: The maximum size of the real address area which can be allocated by the ALLOCR command is the area specified by the RSIZE parameter of the VSTAB macro at system generation (minus the size of the supervisor) or the real storage available in the hardware system being used, (minus the size of the supervisor), whichever is smaller.

2. The size of the page pool is not allocated or changed explicitly but is changed implicitly by allocating or changing the size of one or more real partitions. Storage not allocated to real partitions and not occupied by the supervisor belongs automatically to the main page pool.

The minimum size of the main page pool can be read from Figure 3.

Size of smallest real partition	PFIX=NO	PFIX=YES or SVA phases are used	AP=YES (multi-tasking)
18K or less (including 0K)	18K minus the smallest real partition	18K	+2K
larger than 18K	0K	18K	+2K

Figure 3. Minimum Size of the Main Page Pool

If the SDL is active there must be a main page pool of at least 4K.

In a single partition system (NPARTS=1), all available real storage is permanently allocated to the background real partition (BGR). Since this will never be less than 18K no consideration of main page pool has to be taken in this case.

3. The size of each real partition must always be allocated or changed explicitly (including that of the real background partition). The size of an unspecified real partition is not changed.

The size of each real partition may be changed arbitrarily; it may even be reduced to zero. Depending on the changes made, however, the boundaries of adjacent partitions change.

The size of an active real partition can be reduced only via the ALLOCR job control command. When a real partition is inactive, either the ALLOCR job control command or the ALLOCR attention command may be used.

The background partition is always active. A foreground partition is inactive if it has been unbatched (by the UNBATCH command) or if it has never been batched (by the BATCH or START command). Otherwise it is active. When a partition is increased, either the size of another partition or the main page pool is decreased. A partition can be decreased only if it is inactive.

4. A program running in a virtual partition may fix pages (via the PFIX assembler macro) only if the attached real partition in a multi-partition system has a size greater than zero. It may fix as many pages as the real partition contains page frames.

In a single-partition system, a program running in virtual mode may fix all pages with the exception of the 18K required for the minimum main page pool.

5. Real storage is not allocated when an ALLOCR command would move the start address of a real partition upwards and/or the end address downwards while a program is running in that partition, or when the real partition belongs to a virtual partition in which a program running in virtual mode may fix pages.

Exception: The size of a real partition in whose attached virtual partition job control is processing an ALLOCR command may be changed arbitrarily; it may even be reduced to zero.

If the rules listed are violated, corresponding error messages (1P0nD or 1S0nD) are issued, indicating that the ALLOCR command was rejected and that a correct command has to be entered.

ALTER

The ALTER command allows the operator to alter 1 to 16 bytes of virtual storage, starting at the specified hexadecimal address. After the command has been entered and the END/ENTER key pressed, the hexadecimal representation of the information to be placed in storage should be entered on the device assigned to SYSLOG. Two hexadecimal characters (0 through F) must be entered for each byte to be changed. If an odd number of characters is entered, the last character is ignored and its associated byte is unaltered.

AR Format

ALTER address

address The six-digit hexadecimal address, with leading zeros if necessary, to start storage alteration.

If the specified address is within the supervisor area or the shared virtual area (SVA), a

message is issued and the operator has the option to cancel or to change the address.

If the specified address is within an invalid address range, the command is ignored and a corresponding informatory message issued.

If the 16 bytes to be altered cross the boundary from a valid to an invalid address space, only the bytes of the valid address space are altered and a corresponding informatory message is issued.

ASSGN

The ASSGN command or statement (Assign Logical Name) assigns a logical I/O unit to a physical device. Multiple logical units are allowed to be assigned to one physical unit within the same partition. Only DASD can be assigned to (shared by) several partitions or logical units concurrently.

The operands of the ASSGN card can be combined in various ways. The format is, therefore, broken down into groups:

- For any device
- For disks
- For diskettes
- For tapes
- For printers
- For card (read) punches
- For card readers.

The operands are processed in the sequence given for each combination.

The general format for the ASSGN statement/command is as follows:

Name	Operation	Operand 1	Operand 2	Other Operands (Optional)
// (blank for JCC)	ASSGN	SYSxxx,	X'cuu' (address-list) UA IGN SYSyyy device-class device-type	,TEMP ,PERM ,VOL=volserno ,SHR ,X'ss' ,ALT ,H1 ,H2

For any device

```
[//] ASSGN SYSxxx, { X'cuu'
                    (address-list) } [,TEMP]
                    SYSyyy           [,PERM]
                    UA
                    IGN }
```

For disks

```
[//] ASSGN SYSxxx, { X'cuu'
                    (address-list) } [,TEMP] [,VOL=volserno] [,SHR]
                    SYSyyy           [,PERM]
                    DISK
                    2311
                    2314
                    3330B
                    3350
                    3340 }
```

For diskettes

```
[//] ASSGN SYSxxx, { X'cuu'
                    (address-list) } [,TEMP] [,VOL=volserno]
                    SYSyyy           [,PERM]
                    DISKETTE
                    3540 }
```

For tapes

```
[//] ASSGN SYSxxx, { X'cuu'
                    (address-list) } [,X'ss'] [,TEMP] [,VOL=volserno]
                    SYSyyy           [,ALT]  [,PERM]
                    TAPE
                    2400T7
                    2400T9
                    3410T7
                    3410T9
                    3420T7
                    3420T9 }
```

For printers

```
[//] ASSGN SYSxxx, { X'cuu'
                    (address-list) } [,TEMP]
                    SYSyyy           [,PERM]
                    PRINTER
                    PRT1
                    1403
                    1403U
                    1443
                    3203
                    3211
                    3800
                    3800B
                    3800C
                    3800BC
                    5203
                    5203U }
```

Note 1: If PRT1(or 3211) is specified, either a 3211 or a 3203-4 printer is assigned. (The 3203-4 Printer cannot be assigned as 3203.)

Note 2: For a 3800 Printing Subsystem, you can use assignments by device codes as follows:

Specified code	is valid for			
	3800	3800B	3800C	3800BC
3800	X	X	X	X
3800B		X		X *
3800C			X	X **
3800BC				X

*The job cannot use the additional character generation storage feature.

**The job cannot use the Burster- Trimmer-Stacker feature.

Specification of the device class "PRINTER" may select a 3800 from a list of printers; however, the existence of the two optional hardware features (the Burster- Trimmer-Stacker and additional character generation storage) cannot be assumed.

For card (read) punches

```
[//] ASSGN SYSxxx, (X'cuu'
                    (address-list)
                    SYSyyy
                    PUNCH
                    1442N1
                    1442N2
                    2520B1
                    2520B2
                    2520B3
                    2540P
                    2560[.H1]
                    [H2]
                    2596
                    3525P
                    3525RP
                    5425[.H1]
                    [H2]) [,TEMP]
                    [,PERM]
```

For card readers

```
[//] ASSGN SYSxxx, (X'cuu'
                    (address-list)
                    SYSyyy
                    READER
                    1442N1
                    2501
                    2520B1
                    2540R
                    2560[.H1]
                    [H2]
                    2596
                    3504
                    3505
                    3525RP
                    5425[.H1]
                    [H2]) [,TEMP]
                    [,PERM]
```

The job control statement (// ASSGN) is temporary. It remains in effect only until the next change in assignment or until the end of job, whichever occurs first. The job control command (ASSGN) is permanent. It remains in effect until the next permanent assignment, the DVCDN command, or re-IPL of the system, whichever occurs first. A CLOSE command to a system logical unit on disk or the 3540 diskette also removes a permanent assignment. See also the TEMP override of a permanent ASSGN and the PERM override of a temporary ASSGN.

At the completion of a job, a temporary assignment is automatically restored to the permanent assignment for the logical unit.

The entries in the operand field represent the following.

SYSxxx The symbolic unit name. It can be one of the following:

- SYSRDR
- SYSIPT
- SYSIN
- SYSPCH
- SYSLST
- SYSOUT
- SYSLNK
- SYSLOG
- SYSLSB
- SYSRLB
- SYSREC
- SYSCLB
- SYSnnn

After supervisor generation, SYSCAT can only be assigned by the CAT command at IPL time.

SYSnnn represents all the other symbolic units in the system. These units vary from SYS000 to SYSmax, where SYSmax represents the highest numbered programmer logical unit available for the system. SYSmax is 240 if NPARTS=1, 240-(n-1)*14-1 if NPARTS>1, where n is the number of generated partitions.

For F1, SYSmax is always 240, independent of the number of partitions specified. Each of these programmer logical units can be assigned to any partition without a prescribed sequence, except when using DAM. For a given partition, the maximum number of programmer logical units is equal to SYSmax minus the sum of all programmer logical units assigned to other partitions.

Restrictions: The type of device assignment is restricted under certain conditions:

1. If one of the system logical units SYSRDR, SYSIPT, SYSLST, SYSCLB or SYSPCH is assigned to a disk device or diskette the assignment must be permanent or standard and follow the DLBL and EXTENT statements.
2. If SYSRDR and SYSIPT are to be assigned to the same disk device or diskette SYSIN must instead be assigned and this assignment must be permanent.
3. SYSIN and SYSOUT cannot be specified in the ASSGN macro during supervisor generation, that is, they cannot be standard assignments.
4. SYSOUT is only valid for a tape unit and must be assigned permanently.

5. SYSCLB requires a permanent assignment and the specification of PCIL during supervisor generation.
6. If SYSIPT is assigned to a tape unit, it should be a single file and a single volume.
7. SYSREC must be permanently assigned to disk.
8. The SYSLOG assignment is restricted when SYSLOG was previously assigned by IPL or an ASSGN statement/command. If a 3800 printer is assigned to SYSLOG, message P300D will not be issued and the results are unpredictable. The following table shows the restrictions of the SYSLOG assignments:

New ASSGN	Printer	1052	125D	3277
Old ASSGN				
Printer	Yes	Yes	Yes (if IPL from 125D)	Yes (if IPL from 3277)
			No (else)	No (else)
1052	Yes	Yes	Yes (if IPL from 125D)	Yes (if IPL from 3277)
			No (else)	No (else)
125D	Yes	Yes	Yes	No
3277	Yes	Yes	No	Yes

If a system logical unit is assigned to a tape, DASD, or 3540 diskette, the unit must be closed (using the CLOSE command) before it can be reassigned.

When SYSOUT is assigned, the magnetic tape device must not be the permanent assignment of either SYSLST or SYSPCH. Before assigning a tape drive to a system output unit (SYSOUT, SYSLST, SYSPCH), all previous assignments of this tape drive to any system input units and to any programmer units (input or output) must be permanently unassigned. The assignment of SYSOUT must always be permanent. For detailed information on the use of SYSOUT, refer to chapter 5, of DOS/VS System Management Guide, GC33-5371. It is not possible to change the assignment of SYSLOG while a foreground partition is active.

If SYSLNK is assigned to a foreground partition(s), SYSCLB must also be assigned to the same partition(s). Whenever the DLBL and EXTENT information for SYSCLB changes, SYSCLB must be reassigned.

X'cuu' Indicates the channel and unit number (in hexadecimal).

c = 0 to 6 for the channel
uu= 00 to FE (0 to 254) in hexadecimal

(address-list)

You can specify a list of up to seven device addresses in the form X'cuu', separated by commas and enclosed in parentheses. In this case the system searches only the PUB entries referenced in the address list for a free unit, starting with the first specified device address. Once a free unit is found, it is assigned to SYSxxx for the job in which the assignment is made.

For disks, if SHR is specified, the first unit in the list is assigned, even if previously assigned. (See Figure 4.)

UA Indicates that the logical unit is to be unassigned. Any operation attempted on an unassigned device cancels the job.

IGN For certain American National Standard and DOS/VS COBOL problem programs (for sequential input files), and for FORTRAN the IGN option unassigns the specified logical unit, and ignores any

subsequent logical IOCS command (OPEN, GET, etc.), issued for that unit. This allows you to disable a logical unit that is used in a program without removing the code for that unit. You can then execute the program as if the unit did not exist. This may be especially helpful when debugging a program.

For assembler language problem programs, IGN indicates that the logical unit is to be ignored. With files processed by logical IOCS, the OPEN to the file is ignored, the DTF table is not initialized (for example, IOREG, extent limits), and the IGNORE indicator is set on in the DTF table. It is your responsibility to check this indicator and bypass any I/O commands (GET, PUT, etc.) for this file.

The IGN option is not valid for SYSRDR, SYSIPT, SYSIN, and SYSCLB, nor for PL/I programs or QTAM teleprocessing devices. The IGN option can be made temporary by specifying the TEMP option.

When using ASSGN IGN for associated files, all logical units of the associated files must be assigned IGN.

Additional information about 'ignore' is in the OPEN (R) section of DOS/VS Supervisor and I/O Macros, GC33-5373. IGN restrictions for users of American National Standard and DOS/VS COBOL and of RPG II are given in the associated Program Product publications for the processor being used.

SYSyyy This may be any system or programmer logical unit as shown earlier under the description of SYSxxx. In addition, it may also be SYSRES. If this operand is specified SYSxxx is assigned to the same device to which SYSyyy is currently assigned. This type of specification is particularly helpful because the specification of SYSxxx, SYSyyy is considerably shorter than the full specification.

Example:

```
// ASSGN SYS001,2314,PERM,
      VOL=RAFT01,SHR
// ASSGN SYS003,SYS001
// ASSGN SYSLNK,SYS001
```

device-class

In this case the specification of READER, PRINTER, PUNCH, TAPE, DISK, or DISKETTE is allowed for devices supported by DOS/VS. Do not, however, use a generic assignment for a dummy device to be used as input or output devices in a POWER/VS supported partition. The system searches the PUB tables for the first unassigned unit in ascending order of device type within the specified device-class and assigns it to SYSxxx (see Figure 4). This type of specification might be used if the exact configuration of the installation is not known or not important. However, if a configuration consists of mixed device types of the same device-class, such as 3330's and 3340's, then either device type or the address-list should be used. For disks, if SHR is specified, the first unit with the lowest device-type code of the specified device class is assigned, even if previously assigned. If your installation includes DASD drives with and without the Fixed Head Feature, such as the 3348 Model 70F Data Module or the 3344 Direct Access Storage, you should not use device-class or device-type. Instead, use X'cuu' (or address list) to specify the drives with the feature, so as to avoid job cancellation. For more information, see the IBM 3340 Fixed Head Feature Users Guide, GA26-1632 or the Introduction to IBM 3350 Storage, GA26-1638.

The specific device types to which each device class applies are listed below.

<u>READER</u>	1442N1, 2501, 2520B1, 2540R, 2560, 2596, 3504, 3505, 3525RP, 5425
<u>PRINTER</u>	PRT1, 1403, 1403U, 1443, 3203, 3211, 3800, 3800B, 3800C, 3800BC, 5203, 5203U
<u>PUNCH</u>	1442N1, 1442N2, 2520B1, 2520B2, 2520B3, 2540P, 2560, 2596, 3525P, 3525RP, 5425
<u>TAPE</u>	2400T7, 2400T9, 3410T7, 3410T9, 3420T7, 3420T9
<u>DISK</u>	2311, 2314, 3330, 3330B, 3340, 3340R, 3350
<u>DISKETTE</u>	3540

device-type

This can be the device code of any supported device-type as shown under the "device-class" specification. In this case the PUB table of the specified device-type is searched for the first free unit. When a free unit is found, it is assigned to SYSxxx. Use this specification if you are interested only in the specific type of device, and not in the physical unit. For disks, if SHR is specified, the first unit of the specified device-type is assigned, even if previously assigned. If your installation includes DASD drives with and without the Fixed Head Feature, such as the 3348 Model 70F Data Module or the 3344 Direct Access Storage, you should not use device-class or device-type. Instead, use X'cuu' (or address list) to specify the drives with the feature, so as to avoid job cancellation. For more information, see the IBM 3340 Fixed Head Feature Users Guide, GA26-1632 or the Introduction to IBM 3350 Storage, GA26-1638.

Figure 4 shows an example of how the PUB table is scanned with 3 different types of tape specifications in the ASSGN statement/command.

PUB Table		Search Order for Device Specifications on ASSGN		
Phys. Unit	Device Type	TAPE	2400T9	(X'380', X'381', X'183', X'284')
181	2400T9	1	1	
182	2400T9	2	2	
183	2400T9	3	3	3
281	2400T7	4		
282	2400T7	5		
283	2400T9	6	4	
284	2400T9	7	5	4
380	3410T9	8		1
381	3410T9	9		2
382	3420T9	10		
383	3420T9	11		

Figure 4. How the PUB Table is Scanned

X'ss' Device specifications (used to specify mode settings for 7-track and 9-track magnetic tapes). If X'ss' is not specified at system generation time or at IPL time, the system assumes X'90' for 7-track tapes and X'C0' for

9-track tapes, except for the 3420 for which X'D0' is assumed, specifying the maximum byte density for the device. C0 is the normal reset mode for a 9-track tape unit and specifies the maximum byte density for that device. C8 is an alternate mode setting for 9-track dual density tapes only. For 800 BPI single density 9-track tape, a specification of C8 reduces the time required to OPEN an output file.

The standard mode is entered in the PUB table at system generation or at IPL time. If the mode setting (different from, or the same as the standard mode) is specified in a temporary ASSGN statement, it becomes the current mode setting and is entered as such in the PUB table. When the current job ends, the standard mode is restored in the PUB table. The mode specification in a permanent ASSGN becomes the standard mode. If the X'ss' parameter is not specified for a job, the mode is the same as the standard mode.

The specifications are:

ss	Bytes per Inch	Parity	Trans-late Feature	Convert Feature
10	200	odd	off	on
20	200	even	off	off
28	200	even	on	off
30	200	odd	off	off
38	200	odd	on	off
50	556	odd	off	on
60	556	even	off	off
68	556	even	on	off
70	556	odd	off	off
78	556	odd	on	off
90	800	odd	off	on
A0	800	even	off	off
A8	800	even	on	off
B0	800	odd	off	off
B8	800	odd	on	off
C0	1600	single density	9-track	
C0	1600	dual density	9-track	
C8	800	single density	9-track	
C8	800	dual density	9-track	
D0	6250	single density	9-track	
D0	6250	dual density	9-track	

Note: The first 15 entries in this table are valid only for 7-track tape. The last six entries are valid only for 9-track tape.

In order to read a 7-track tape backwards, you must first create the tape file with the data convert feature off.

Also, under certain conditions, you are responsible for setting the mode of the tape to be processed. When using PIOCS with dual density tape units, a mode set must be issued if a mode is desired other than the one in which the tape was previously written. You should position the tape at LOAD POINT and issue a SET MODE command, followed by a WRITE command.

ALT Indicates an alternate magnetic tape unit that is used when the capacity of the original assignment is reached. The specifications for the alternate unit are the same as those of the original unit. The characteristics of the alternate unit must be the same as those of the original unit. The original assignment and an alternate assignment must both be permanent or temporary assignments. Multiple alternates can be assigned to a symbolic unit. When SYSIPT is assigned to a magnetic tape device, the file may not be multivolume.

Using multivolume tape files without specifying ALT mode can cause performance degradation, because the first tape has to be rewound and unloaded before the next tape can be mounted.

If the original unit is reassigned, the alternate unit must also be reassigned. The ALT operand is invalid for SYSRDR, SYSIPT, SYSIN, SYSLNK, SYSCLB, and SYSLOG.

H1 Indicates that input hopper one will be used for input on the 2560 or 5425. If neither H1 nor H2 is specified, H1 is assumed.

H2 Indicates that input hopper two will be used for input on the 2560 or 5425. Note that hopper specifications are significant only for device independent files associated with the logical units SYSIPT, SYSRDR, SYSIN, and SYSPCH.

In all other cases they are ignored. If both hoppers are used, they must be assigned to the same partition.

PERM Indicates whether the assignment should be permanent (PERM) or temporary (TEMP). It is thus possible to override the // specification or omission.

TEMP

VOL=volserno Specifies the volume serial number of the device required. This option may be specified only for tapes, disks, and diskettes.

If VOL is specified, the system searches for the first unit in the requested sequence and, if the unit is ready (for a tape, if it is at load point and not already assigned) checks the volume label to see if the required volume is mounted. If not, the next unit is checked, and so on until the proper volume serial number is found or until the end of the specified sequence is reached. The requested volume must be mounted on the unit specified in the message 1T50A MOUNT nnnnnn ON X'cuu'.

If a volume serial number specified for a 3344 or 3350 does not match the actual volume serial number, DOS/V5 notifies the operator and allows him to correct the assignment statement.

Note: In a mixed device configuration, specification of TAPE,VOL or DISK,VOL may cause the system to issue a request for a volume to be mounted on the first device that becomes available. Thus, the system may request a 9-track tape to be mounted on a device that can only accommodate 7-track tapes. Likewise, a request may be issued for a 2316 disk pack to be mounted on a 3330 or 3340. Therefore the parameters device-type or address-list should be used in a mixed device environment.

SHR This option can be specified only for disk devices and has meaning only in combination with address-list, device-class, and device-type (see corresponding discussions). It means that the unit can be assigned to a disk device which is already assigned to another partition. If the option is not specified, the system assigns the unit to a disk device not yet assigned to another partition. Therefore, unless a

private device is required, it is recommended to use the SHR operand in combination with generic assignments.

BATCH

The BATCH command (Start or Continue Processing) serves to activate or continue processing in, one of the foreground partitions or to continue processing in the background partition. The function of the BATCH command is exactly the same as that of the START command. If the specified partition is available, job control reads the operator's next command from SYSLOG. When the operator desires to give control to another command input device, he makes an assignment to SYSRDR or SYSIN, and presses the END or ENTER key.

If the specified partition has been temporarily halted by a STOP command, it is made active. If the partition is in operation, it continues, and message

1P1nD AREA NOT AVAILABLE

is issued to the operator. In either instance, attention routine communication with the operator terminates following the BATCH command.

AR Format

BATCH { $\left. \begin{array}{l} \text{BG} \\ \text{Fn} \end{array} \right\}$

BG Indicates that the background partition is to be activated.
Fn Indicates that the specified foreground partition is to be activated.

If the operand is omitted, BG is assumed.

CANCEL

The CANCEL command (Cancel Job), when used as a job control command, cancels the execution of the current job in the partition in which the command is given.

When used as an attention routine command an operand must be specified (except in a single-partition system). It cancels the execution of the current job in the specified partition.

JCC Format

CANCEL

AR Format

CANCEL { $\left. \begin{array}{l} \text{BG} \\ \text{Fn} \end{array} \right\}$

BG Indicates that the background job is to be canceled.

Fn Indicates that the specified foreground job is to be canceled.

In a one-partition system the default is BG. In multiple-partition systems the operand must be specified. The CANCEL command cannot be used

1. for the partition in which POWER/VIS is running,
2. for a partition waiting for POWER/VIS input.

If a JOB statement was specified for the job to be canceled, the remaining statements and data will be skipped up to /&. If the JOB statement was omitted, the records will not be skipped, except during the execution of a procedure. In this case, all records up to /+ are skipped.

CLOSE

The CLOSE command (Close Output Unit) is used to close either a system or programmer output logical unit assigned to a tape, or a system logical unit assigned to a disk or 3540 Diskette.

The CLOSE statement is used to close either a system or programmer logical unit assigned to tape. It applies only to temporarily assigned logical units.

The logical unit can optionally be reassigned to another device, unassigned, or, in the case of a magnetic tape file, switched to an alternate unit. When SYSxxx is a system logical unit (SYSLST, SYSPCH, etc.), one of the optional parameters must be specified. When closing a programmer logical unit (SYS000-SYSnnn), no optional parameter need be specified. When none is specified, the programmer logical unit is closed and the assignment remains unchanged.

Closing a magnetic tape unit consists of writing a tapemark, an EOVS trailer record, two tapemarks, and rewinding and unloading the tape. The trailer record contains no block count, and later access by logical IOCS may result in a 4131D message, which can be ignored.

JCS Format

```
// CLOSE SYSxxx [ ,X'cuu' [,X'ss']  
                ,UA  
                ,IGN  
                ,ALT  
                ,SYSyyy ]
```

JCC Format

```
CLOSE SYSxxx [ ,X'cuu' [,X'ss']  
             ,UA  
             ,IGN  
             ,ALT  
             ,SYSyyy ]
```

SYSxxx For the CLOSE command only: For disk or 3540 Diskette: SYSIN, SYSRDR, SYSIPT, SYSPCH, or SYSLST

For both the statement and the command: For magnetic tape: SYSPCH, SYSLST, SYSOUT, or SYS000-SYSnnn

X'cuu' Specifies that after the logical unit is closed, it will be assigned to the channel and unit specified. c is the channel number (0-6) and uu is the unit number 00-FE (0-254) in hexadecimal. In the case of a system logical unit, the new unit will be opened if it is either a disk, 3540 Diskette, or a magnetic tape at load point.

X'ss' Device specification for mode settings on 7-track and 9-track tape. The specifications are shown in ASSGN -- Assign Logical Name. If X'ss' is not specified, the mode settings remain unchanged. The LISTIO command may be used to determine the current mode settings for all magnetic tape units.

UA Specifies that the logical unit is to be closed and unassigned.

IGN Specifies that the logical unit is to be closed and unassigned with the ignore option. This operand is invalid for SYSRDR, SYSIPT, or SYSIN.

ALT Specifies that the logical unit is to be closed and an alternate unit is to be opened and used. This operand is valid only for system output logical units (SYSPCH, SYSLST, or SYSOUT) currently assigned to a magnetic tape unit.

SYSyyy Specifies that after SYSxxx is closed, it will be assigned to the physical device to which SYSyyy is currently assigned (and to which it remains assigned). If SYSyyy is a system logical unit, it will be opened if it is a disk, 3540 diskette, or magnetic tape at load point, and not already assigned.

DATE

The DATE statement contains the job date that is put in the communication region. It is in either of the two following formats:

JCS Formats

```
// DATE mm/dd/yy  
// DATE dd/mm/yy
```

mm = month (01 to 12)
dd = day (01 to 31)
yy = year (00 to 99)

When the DATE statement is used, it applies only to the current job being executed, except for DASD output file labels for which the date from the SET command is used. Job control does not check the operand except for a length of eight characters. If no DATE statement is used, job control supplies the date given in the last SET command. If a job or job step executes past midnight, the date given in the // DATE statement will not be incremented.

DLAB

The DLAB statement (DASD label information), completed in a continuation statement, contains file label information for DASD label checking and creation. This statement must immediately follow a volume (VOL) statement. The combination of this statement with VOL and XTENT should not be used to provide the extent and label information for a 3330, 3333, 3340 or 3350. For a detailed discussion of DLAB, see DOS/VS DASD Labels, GC33-5375. The DLAB statement cannot be used for VSAM files.

For the DLAB statement, continuation cards are supported. Column 72 must contain a continuation character (usually a C) and the columns between the last comma and this continuation character must be blank.

JCS Format

```
// DLAB 'label fields 1-3', C  
xxxx,yyddd,yyddd,'systemcode'[,type]
```

'label fields 1-3'

The first three fields of the Format 1 DASD file label are contained just as they appear in the label. This is a 51-byte character string, contained within apostrophes and followed by a comma. The entire 51-byte field must be contained on the first card or line of the statement. The Format 1 label is shown in "Appendix A". Fields 1-3 are:

File Name. 44-byte alphameric including file ID and, if used, generation number and version number of generation.

Format Identifier. 1-byte, EBCDIC 1.

File Serial Number. 6-byte alphameric, must be the same as the volume serial number in the volume label of the first or only pack of the file.

C Continuation punch in column 72.

xxxx Volume Sequence Number. This 4-digit EBCDIC number is the EBCDIC equivalent of the 2-byte binary volume sequence number in field 4 of the Format 1 label. This number must begin in column 16 of the continuation statement. Columns 1-15 are blank.

yyddd,yyddd The file creation date, followed by the file expiration date. These two 5-digit numbers are the EBCDIC equivalent of the 3-byte discontinuous binary dates in fields 5 and 6 of the Format 1 label. yy is the year (00-99), and ddd is the day of the year (001-366).

'systemcode' System code is a 13-character string, within apostrophes. For an output file, it is written in field 8 of the Format 1 label. It is ignored when used for an input file. This field is not used by the DOS/VS label processing routines. It is recommended that this field be left blank.

type This is a two- or three-character field indicating the type of file, as follows:

- SD for sequential disk or for DTFPH with MOUNTED=SINGLE
- DA for direct access or for DTFPH with MOUNTED=ALL
- ISC for indexed sequential using load create
- ISE for indexed sequential using load extension, add, or retrieve

If this operand is omitted, SD is assumed.

DLBL *51 lines*

The DLBL statement (DASD label information) replaces the VOL and DLAB statement combination used in previous versions of the system. It contains file label information for DASD or 3540 Diskette label checking and creation. (Programming support for the previous VOL, DLAB, and XTENT combinations will be continued.) Together with the EXTENT statement, only DLBL should be used to supply extent and label information for the 3330/3333, 3340, 3350, or 3540. For a detailed discussion of DLBL see DOS/VS DASD Labels, GC33-5375.

For the DLBL statement, continuation cards are supported. Column 72 must contain a continuation character (usually a C) and the columns between the last comma and this continuation character must be blank.

JCS Format

```
// DLBL filename, ['file-ID'],
[ date ], [ codes ] [ ,DSF ] [ ,BUFSP=n ]
[ ,CAT=filename ] [ ,BLKSIZE=n ]
```

Continuation statements or commands are supported for DLBL.

A comma must be inserted for each positional parameter that is omitted, if any of the subsequent operands are used.

filename

This can be from one to seven alphameric characters, the first of which must be alphabetic. This unique filename is identical to the symbolic name of the program DTF that identifies the file. For VSAM, filename is identical to (1) dname of the FILE (dname) parameter in an Access Method

Services command, and (2) the DDNAME=filename parameter of the Access-Method Control Block (ACB) in the processing program that identifies the file. If the DDNAME parameter is omitted, the filename must be placed in the symbolic name (label) field of the ACB.

'file-ID'

The unique name associated with the file on the volume. This can be from one to 44 bytes of alphanumeric data, contained within apostrophes, including file-ID and, if used, generation number and version number of generation. If fewer than 44 characters are used, the field is left-justified and padded with blanks. If this operand is omitted, filename is used. The 3540 Diskette uses a maximum of eight characters in file-ID. For VSAM, file-ID must be specified when an existing (input) file is being processed. The file-ID is identical to the name of the file, specified in the DEFINE command of Access Method Services, listed in the VSAM catalog. When a new VSAM data space or file is being created (defined), the file-ID is ignored if it is specified. For VSAM, the file-ID must be coded according to the following rules:

- One to 44 alphanumeric (A-Z, 0-9, @, \$, or #) characters or hyphen (-) or plus zero (+0) enclosed in apostrophes (').
- After each group of eight or less characters, a period (.) must be inserted.
- No embedded blanks are allowed.
- The first character of the file-ID and the first character following a period must be alphabetic or notational (A-Z, @, \$, #).

date

This can be from one to six characters indicating either the retention period of the file in the format d through dddd (0-9999), or the absolute expiration date of the file in the format yy/ddd (75/032). If 00/ddd is specified, ddd is treated as a retention period.

If this operand is omitted, a 7-day retention period (based on the date entered via the SET

command) is assumed. If this operand is present on an input file, it is ignored. For VSAM, this parameter overrides the expiration date specified in the DEFINE command of Access Method Services. However, VSAM files or data spaces can only be deleted through the DELETE command of Access Method Services even though the expiration date has been reached.

codes

This is a two to four character field indicating the type of file label, as follows:

- SD for sequential disk or for DTFPH with MOUNTED=SINGLE
- DA for direct access or for DTFPH with MOUNTED=ALL
- DU for 3540 diskette
- ISC for indexed sequential using load create
- ISE for indexed sequential using load extension, add, or retrieve
- VSAM for all Virtual Storage Access Method files

If this operand is omitted, SD is assumed.

DSF

This operand indicates that a data secured file is to be created or processed. At OPEN time, if a data-secured file is accessed, a warning message is issued to the operator who then decides whether the file may be accessed.

This operand is ignored for the 3540 diskette and for VSAM. All VSAM files are data secured. The DSF operand is not required for an input file, and it does not invoke data security if the file was not originally created as a data secured file.

BUFSP=n

If a VSAM file is to be processed, this operand specifies the number of bytes of virtual storage (0 - 999999) to be allocated as buffer space for this file. It overrides both the BUFFERSPACE parameter of the DEFINE command of Access Method Services and the BUFSP operand in the ACB macro, if its value is higher.

CAT=filename

This operand is only valid in a DLBL statement for a VSAM file. It specifies the filename (1 to 7 alphanumeric characters) of the DLBL statement for the catalog owning this VSAM file. The system searches only this catalog for the file-ID when the VSAM file is to be opened. Specify this operand only if you want to override the system's assumption that the job catalog or, if there is no job catalog, that the master catalog owns the file.

In a system with a job catalog specify:

nothing for the job catalog
private name for a private user catalog
IJSYSCT for the master catalog.

In a system without a job catalog specify:

nothing for the master catalog
private name for a private user catalog.

BLKSIZE=n

This operand permits specification of a block size different from that given in the DTFSD macro for sequential DASD files on IBM 3330-11 or 3350 devices. This allows the user to access his old sequential DASD files originally created for other devices than the 3330-11 or 3350, without recompiling his programs, merely by utilizing a more effective blocking factor. If the value given here is greater than the block size specified in the DTFSD macro, it will be used. Otherwise it is ignored. The parameter is ignored for all DTF types except DTFSD. It is not valid for VSAM files. The value specified for n must be a number from 1 to 32,768 and, if the file contains blocked fixed-length records, must be a multiple of the RECSIZE.

Note that this parameter will be accepted by Job Control for devices other than the IBM 3330-11 and 3350 and for non-blocked files, but the job will later be cancelled by DOS/VS. The same system action occurs if the value specified is not a multiple of the RECSIZE value.

The job will also be canceled if the BLKSIZE parameter in the

DTFSD macro is specified for TYPEFLE=WORK or if RPS support is not used.

DSPLY

The DSPLY command (Display Virtual Storage) allows the operator to display 16 bytes of virtual storage, starting at the specified hexadecimal address, on the device assigned to SYSLOG. Two characters (0-9,A-F) appear on SYSLOG for each byte of information; these characters represent the hexadecimal equivalent of the current information in virtual storage.

AR Format

DSPLY address

address The six digit hexadecimal address, with leading zeros if necessary, at which the storage display starts.

If the specified address is within an invalid address area, the command is ignored and a corresponding informatory message is issued.

If the 16 bytes to be displayed cross the boundary from a valid to an invalid address space, only the bytes in the valid address space are displayed, and a corresponding informatory message is issued.

DUMP

The DUMP command allows the operator to print part or all of the real and/or virtual address area contents on SYSLSST. The SYSLSST used may be assigned to any partition, but it must be a printer. The printer should not, at the time of the dump, be used by the partition to which it is assigned since this could result in interspersed partition and dump output.

AR Format

	<u>Dump Area Operand</u>	<u>SYSLSST Operand</u>
DUMP	{ blank S BG Fn BGS FnS PDAREA address,address }	{ (BG) (Fn) }

where n can be from 1 up to the number of foreground partitions generated for your system.

Note: There must be no blank between the two operands.

CAT=filename

This operand is only valid in a DLBL statement for a VSAM file. It specifies the filename (1 to 7 alphameric characters) of the DLBL statement for the catalog owning this VSAM file. The system searches only this catalog for the file-ID when the VSAM file is to be opened. Specify this operand only if you want to override the system's assumption that the job catalog or, if there is no job catalog, that the master catalog owns the file.

In a system with a job catalog specify:

nothing for the job catalog
private name for a private user catalog
IJSYSCT for the master catalog.

In a system without a job catalog specify:

nothing for the master catalog
private name for a private user catalog.

BLKSIZE=n

This operand permits specification of a block size different from that given in the DTFSD macro for sequential DASD files on IBM 3330-11 or 3350 devices. This allows the user to access his old sequential DASD files originally created for other devices than the 3330-11 or 3350, without recompiling his programs, merely by utilizing a more effective blocking factor. If the value given here is greater than the block size specified in the DTFSD macro, it will be used. Otherwise it is ignored. The parameter is ignored for all DTF types except DTFSD. It is not valid for VSAM files. The value specified for n must be a number from 1 to 32,768 and, if the file contains blocked fixed-length records, must be a multiple of the RECSIZE.

Note that this parameter will be accepted by Job Control for devices other than the IBM 3330-11 and 3350 and for non-blocked files, but the job will later be cancelled by DOS/VS. The same system action occurs if the value specified is not a multiple of the RECSIZE value.

The job will also be canceled if the BLKSIZE parameter in the

DTFSD macro is specified for TYPEFLE=WORK or if RPS support is not used.

DSPLY

The DSPLY command (Display Virtual Storage) allows the operator to display 16 bytes of virtual storage, starting at the specified hexadecimal address, on the device assigned to SYSLOG. Two characters (0-9,A-F) appear on SYSLOG for each byte of information; these characters represent the hexadecimal equivalent of the current information in virtual storage.

AR Format

DSPLY address

address The six digit hexadecimal address, with leading zeros if necessary, at which the storage display starts.

If the specified address is within an invalid address area, the command is ignored and a corresponding informatory message is issued.

If the 16 bytes to be displayed cross the boundary from a valid to an invalid address space, only the bytes in the valid address space are displayed, and a corresponding informatory message is issued.

DUMP

The DUMP command allows the operator to print part or all of the real and/or virtual address area contents on SYSLST. The SYSLST used may be assigned to any partition, but it must be a printer. The printer should not, at the time of the dump, be used by the partition to which it is assigned since this could result in interspersed partition and dump output.

AR Format

	<u>Dump Area Operand</u>	<u>SYSLST Operand</u>
DUMP	{ blank S BG Fn BGS FnS PDAREA address,address }	{ (BG) (Fn) }

where n can be from 1 up to the number of foreground partitions generated for your system.

Note: There must be no blank between the two operands.

Dump Area Operand

blank If the dump area operand is omitted, the following is printed:

- the contents of the general registers, and
- the contents of all real and virtual partitions in which programs are currently running.

In the listings produced, the contents of both real and virtual partitions are in consecutive order; invalid address spaces (page pool) are indicated.

S Same as if dump area operand was omitted. The contents of the supervisor area are also dumped.

BG
Fn The contents of the specified partition and its associated registers are printed. If a program is running in real mode in the specified partition, only the real, not the associated virtual partition, is dumped. If a program is running in virtual mode in the specified partition, the virtual partition is dumped, including any fixed pages.

BGS
FnS Same as if BG/Fn was specified. The contents of the supervisor area are also dumped.

PDAREA The contents of the PD table, PD area, and the alternate address area, if present, are printed.

address,
address Specifies the start and end addresses of the storage area to be dumped. The contents of the general registers that are associated with the specified storage area are also printed.

If the specified addresses are within an invalid address area, the command is ignored and an inforatory message is issued.

If the storage area crosses the boundary from a valid to an invalid address space, only the contents of the specified valid address space are dumped, together with the general registers that are associated with the valid address area. A corresponding inforatory message is issued.

If the storage area to be dumped crosses partition boundaries, the specified storage area is dumped, together with those general registers that belong to the partition in which the starting address is located. To obtain a dump of the SVA, refer to DOS/VS Serviceability Aids and Debugging Procedures, GC33-5380.

SYSLST Operand

BG The operand indicates the
Fn partition to which SYSLST is assigned for output of the dump. If it is omitted, the SYSLST assigned to the background partition is used.

DVCDN

The DVCDN command (Device Down) informs the system that a device is no longer physically available for system operations. If any temporary or standard assignments were made to the device specified in the command, they are unassigned when this command is accepted.

If the unit is a DASD device or 3540 diskette, issue a CLOSE command for any system logical units currently assigned to it before issuing DVCDN. The DVCDN command unassigns these units without closing them. If a DVCDN command is issued with a system I/O unit assigned to the DASD device or 3540 diskette, closing the file or reassigning it to another DASD device or 3540 diskette is impossible. If an alternate assignment was made for the device specified, the alternate is removed. This command utilizes the logical transient area, and blocks out operator communication functions until it is completed. A DVCUP command must be issued before the device can be used again.

Note: A Device Down command is not accepted for a device on which SYSRES, SYSREC, SYSVIS, or SYSCAT resides. However, if SYSCAT was already unassigned while being on a different device than the one that holds SYSRES, SYSREC, and SYSVIS, Device Down for the device that holds SYSCAT is accepted.

JCC Format

DVCDN X'cuu'

Dump Area Operand

blank If the dump area operand is omitted, the following is printed:

- the contents of the general registers, and
- the contents of all real and virtual partitions in which programs are currently running.

In the listings produced, the contents of both real and virtual partitions are in consecutive order; invalid address spaces (page pool) are indicated.

S Same as if dump area operand was omitted. The contents of the supervisor area are also dumped.

BG
Fn The contents of the specified partition and its associated registers are printed. If a program is running in real mode in the specified partition, only the real, not the associated virtual partition, is dumped. If a program is running in virtual mode in the specified partition, the virtual partition is dumped, including any fixed pages.

BGS
FnS Same as if BG/Fn was specified. The contents of the supervisor area are also dumped.

PDAREA The contents of the PD table, PD area, and the alternate address area, if present, are printed.

address,
address Specifies the start and end addresses of the storage area to be dumped. The contents of the general registers that are associated with the specified storage area are also printed.

If the specified addresses are within an invalid address area, the command is ignored and an inforatory message is issued.

If the storage area crosses the boundary from a valid to an invalid address space, only the contents of the specified valid address space are dumped, together with the general registers that are associated with the valid address area. A corresponding inforatory message is issued.

If the storage area to be dumped crosses partition boundaries, the specified storage area is dumped, together with those general registers that belong to the partition in which the starting address is located. To obtain a dump of the SVA, refer to DOS/VS Serviceability Aids and Debugging Procedures, GC33-5380.

SYSLST Operand

BG
Fn The operand indicates the partition to which SYSLST is assigned for output of the dump. If it is omitted, the SYSLST assigned to the background partition is used.

Note: When SYSLST is assigned to a 3800 Printing Subsystem, DUMP sets the 3800 to its system default for the character arrangement table, and restores the original status at the end of the dump.

DVCDN

The DVCDN command (Device Down) informs the system that a device is no longer physically available for system operations. If any temporary or standard assignments were made to the device specified in the command, they are unassigned when this command is accepted.

If the unit is a DASD device or 3540 diskette, issue a CLOSE command for any system logical units currently assigned to it before issuing DVCDN. The DVCDN command unassigns these units without closing them. If a DVCDN command is issued with a system I/O unit assigned to the DASD device or 3540 diskette, closing the file or reassigning it to another DASD device or 3540 diskette is impossible. If an alternate assignment was made for the device specified, the alternate is removed. This command utilizes the logical transient area, and blocks out operator communication functions until it is completed. A DVCUP command must be issued before the device can be used again.

Note: A Device Down command is not accepted for a device on which SYSRES, SYSREC, SYSVIS, or SYSCAT resides. However, if SYSCAT was already unassigned while being on a different device than the one that holds SYSRES, SYSREC, and SYSVIS, Device Down for the device that holds SYSCAT is accepted

JCC Format

DVCDN X'cuu'

The entry X'cuu' is expressed in hexadecimal form, where c is the channel number (0-6) and uu is the unit number, 00-FE (0-254) in hexadecimal.

DVCUP

The DVCUP command (Device Up) informs the system that a device is available for system operations after the device has been down. As all assignments for this device were removed by the preceding DVCDN command, ASSGN commands must be used to re-establish standard assignments as well as new ones.

JCC Format

DVCUP X'cuu'

The entry X'cuu' is expressed in hexadecimal form, where c is the channel number (0-6) and uu is the unit number, 00-FE (0-254) in hexadecimal.

The DVCUP command makes use of supervisor services that prevent other operator communication during execution of this command.

ENDSD

The ENDS command (End SD Aids) is used to terminate the execution of the SDAID program. It is used in debugging procedures and described in detail in DOS/VS Serviceability Aids and Debugging Procedures, GC33-5380.

AR Format

ENDSD

END or ENTER

The END or ENTER (End of Communication) command must be issued whenever the operator has finished communicating with the system. It causes the communication routine to return control to the mainline job. END applies to CPU models without DOC (display operator console) support. ENTER applies to CPU models with DOC support.

JCC and AR Format

Press the END or ENTER key.

EXEC

The EXEC command or statement (Execute Program or Procedure) indicates either

- the end of control information for a job step and the beginning of execution of a program, in which case it must be the last command or statement processed before a job step is executed, or

that a cataloged procedure is to be retrieved from the procedure library by job control. In this case, other commands or statements may follow EXEC.

JCS Format

```
// EXEC [ [ [ PGM= ] progname ] [, REAL] [, SIZE=size] ]
        [ PROC=procedurename [, OV] ]
```

The statement can be issued from SYSLOG or from SYSRDR. With a program name control will return to the unit from which the statement was issued. With a procedure name control will always return to SYSRDR.

JCC Format

```
EXEC [ [ [ PGM= ] progname ] [, REAL] [, SIZE=size] ]
      [ PROC=procedurename [, OV] ]
```

The command can be issued only from SYSLOG and control will return there.

PGM=progname
progname

Represents the name of the program in the core image library to be executed. The program name corresponds to the first or only phase of the program in the library. The program name can be from one to eight alphanumeric characters (0-9, A-Z, #, \$, @). If the program to be executed has just been processed by the linkage editor, the program name is omitted and the PGM keyword cannot be used.

REAL Indicates that the job step started by EXEC will be executed in real mode. If REAL is not specified, the job step is always executed in virtual mode.

SIZE=size Defines how large a partition is needed for the program about to be executed. The SIZE parameter can be specified in combination with REAL (a) or without REAL (b).

- (a) If specified together with REAL, it specifies the size of that part of the real partition that will be needed by the job step. The remaining part of the real partition is added to the page pool.

If the SIZE parameter is omitted and REAL is specified, the whole real partition is reserved for the job step.

- (b) If used without REAL, it specifies the size of that part of the virtual partition that will be directly available to the job step.

For programs (such as compilers) that dynamically allocate storage within the partition for workareas, the SIZE parameter can be used to limit the virtual storage available (and thus reduce paging activity). The remainder of the partition may be used as additional storage for other modules or data required by the program in that partition. The program obtains this additional storage by issuing GETVIS macros with the required amount of storage as a parameter; it releases the storage again by issuing FREEVIS macros.

If the SIZE parameter is omitted, the whole virtual partition is used for the job initiated with EXEC. SIZE (without REAL) must always be specified for VSAM programs, ISAM programs using the ISAM Interface Program (IIP), and for using RPS support with DASD access methods, because the space left over by the program (GETVIS area) must be large enough to accommodate VSAM and Access Method Services. If the SVA eligible VSAM phases run in the SVA, the remainder of VSAM and of Access Method Services must be accommodated in the GETVIS area. Approximate values are 302K for VSAM, 50K for VSAM buffers and control blocks and 240K for Access Method Services. Exact storage requirements can be calculated on the basis of the information contained in the book module entitled VSAM in the manual DOS/VS System Generation, GC33-5377.

The SIZE parameter can be specified in the following formats:

SIZE=nK
SIZE=AUTO (see Note)
SIZE=(AUTO,nK)

where n must be greater than zero and should be a multiple of 2 (if not, the system rounds the value up to the nearest 2K boundary).

and AUTO indicates that the program size, as calculated by the system from information in the core image directory, is to be taken as the value for SIZE. Use caution in specifying SIZE=AUTO in the following case. When phases belonging to the same program (multi-phase) or same application (for example, payroll) use generic phase names (identical first four characters), the size of the largest phase found with that generic name will be used.

Note: Do not specify SIZE=AUTO for programs that dynamically allocate storage during execution (such as linkage editor, librarian program, and compilers).

and (AUTO,nK) indicates that job control must take program size plus nK bytes as the value for SIZE. (If this is not a multiple of two, the value is rounded up.)

PROC=procedurename

Represents the name of the procedure to be retrieved from the procedure library. The procedure name can be from one to eight alphameric characters.

If the procedure name begins with \$\$, the system substitutes a partition-related character for the second \$. The character that is substituted is related to the partition in which the procedure is invoked, that is,

B for the BG partition
1 for the F1 partition
2 for the F2 partition
n for the Fn partition (Where n is the highest numbered foreground partition in the system.)

The procedure corresponding to this name is then retrieved for execution.

Note that the EXEC PROC command can be entered on SYSLOG only (not on SYSRDR), whereas the EXEC PROC statement may be entered on SYSLOG.

or on SYSRDR. The assignment of SYSRDR will be changed when a procedure is used.

OV Indicates that overwrite statements follow EXEC. If the EXEC PROC command was used (and entered on SYSLOG), the overwrite statements must also be entered on SYSLOG.

If the EXEC PROC statement was used and entered on SYSRDR, the overwrite statements must be entered on SYSRDR (not on SYSLOG).

If you execute a non-ending job from the procedure library, you cannot update the procedure library.

For more details, refer to the DOS/VS System Management Guide, GC33-5371.

EXTENT

The EXTENT statement (DASD Extent Information) defines each area, or extent, of a DASD file. One or more EXTENT statements must directly follow each DLBL statement except for single input files for sequential disk on a disk or 3540 diskette provided the DEVADDR parameter has been specified in the DTF table. For a detailed discussion of EXTENT, see DOS/VS DASD Labels, GC33-5375. Together with the DLBL statement, only EXTENT should be used to supply extent and label information for the 3330/3333, 3340, 3350, and 3540 diskette.

Note: The EXTENT statements should be checked carefully because an invalid field causes the default options or the values entered by the previous EXTENT statement to be overwritten by the valid entries of the flagged statement.

System files on disk (SYSIPT, SYSRDR, SYSLST, SYSPCH) and SYSLNK (always on disk) must have only one extent.

Multiple EXTENT statements are valid for system files on the 3540 diskette. Valid parameters are symbolic unit, serial number, and type. The other parameters will be ignored.

This command or statement replaces the XTENT command or statement used in previous versions of the system. (Programming support for XTENT continues.)

JCS Format

```
// EXTENT [symbolic-unit],  
          [serial-number],[type],
```

```
[sequence-number],  
[relative-track],  
[number-of-tracks],  
[split-cylinder-track],  
[B=bins]
```

symbolic unit

A six-character field indicating the symbolic unit (SYSxxx) of the volume for which this extent is effective. If this operand is omitted, the symbolic unit of the preceding EXTENT, if any, is used. If this operand is omitted on the first or only EXTENT statement, the symbolic unit specified in the DTF is assumed. A symbolic unit included in the extent information for SAM, DAM, ISAM, or diskette files, however, overrides the DTF DEVADDR=SYSnnn specification.

This operand is not required if a system file with IJSYSxx as filename is specified. The following IJSYSxx filenames in the DLBL statement cause their corresponding default symbolic units to be specified in the EXTENT statement, namely:

<u>DLBL:</u>	<u>EXTENT:</u>
IJSYSIN	SYSIN (SYSRDR/SYSIPT)
IJSYSPH	SYSPCH
IJSYSLST	SYSLST
IJSYSLN	SYSLNK
IJSYSRS	SYSRES
IJSYSSL	SYSSLB
IJSYSRL	SYSRLB
IJSYSCL	SYSCLB

The operand is also not required for a user file defined with a DTF DEVADDR=SYSnnn. If SYSRDR or SYSIPT is assigned, this operand must be included. The operand is also required for VSAM.

In multivolume SAM, DAM, and diskette files, each different symbolic unit must be assigned to a separate physical device. In multiextent SAM, DAM, and diskette files, all extents on one physical unit must have the same symbolic unit number. For SAM and DAM files, the extent statements must be in ascending order.

User programs may use, in addition to programmer logical units, the following system logical units:

```
for input - SYSIPT and SYSRDR  
for output - SYSLST and SYSPCH
```


serial number

From one to six characters indicating the volume serial number of the volume for which this extent is effective. If fewer than six characters are used, the field is padded to the left with zeros.

If this operand is omitted, the volume serial number of the preceding EXTENT is used. Therefore, when a multivolume file is being processed, the volume serial number of the first volume is assumed for the entire file, unless you specify this field for the first extent of each following volume. If no serial number was provided in the EXTENT statement, the serial number is not checked and it is your responsibility if files are destroyed because the wrong volume was mounted. This operand is required for VSAM.

For the 3540 diskette, this operand specifies that the associated file will be found on this volume. If the parameter is omitted, the OPEN routines assume that the volume that was mounted is the correct one. Label checking will be done for input files and space will be allocated for an output file.

One EXTENT statement must be submitted for each volume of an input file, and sufficient EXTENT statements must be submitted for output files to ensure that enough volumes are present to contain the file.

For users who wish to use the partition temporary label area for sequential file information, e.g., for diskette files, the maximum number of volumes is for

SYSRES device: max.no.of volumes

2314	27
3330	43
3340	24
3350	50

For DAM, ISAM, or VSAM files the acceptable number of volumes is much greater since each one adds only 20 bytes to the label area after the first 84 (and not 104 each time as is the case with sequential files). For details see DOS/VS DASD Labels, GC33-5375.

Note: ISAM is not supported on the 3330-11 and 3350 devices. For using ISAM programs with VSAM files, see the ISAM Interface Program (IIP) in DOS/VS Supervisor and I/O Macros, GC33-5373.

type

- One character indicating the type of the extent, as follows:
- 1 - data area (no split cylinder)
 - 2 - independent overflow area (for indexed sequential file)
 - 4 - index area (for indexed sequential file)
 - 8 - data area (split cylinder, for SAM files only)

If this operand is omitted, type 1 is assumed. Type 1 is the only valid parameter for diskette files.

Note: For indexed sequential files, the extent information should be entered in the following order:

1. Master index (type 4) and sequence number 0
2. Cylinder index (type 4) and sequence number 1
3. Prime data area (type 1) and sequence number 2, 3, ..., n
4. Independent overflow area (type 2) and sequence number (n+1)

where n is the sequence number of the last prime data area extent.

Note also, the master and the cylinder index must be in adjacent areas on the same logical unit.

sequence number

One to three characters containing a decimal number from 0 to 255 indicating the sequence number of this extent within a multiextent file. Extent sequence 0 is used for the master index of an indexed sequential file. If the master index is not used, the first extent of an indexed sequential file has the sequence number 1. The extent sequence number for all other types of files begins with 0. If this operand is omitted for the first extent of ISAM files, the extent is not accepted. For SAM, VSAM, or DAM files, this operand is not required. Sequence checking via this parameter is ignored for diskette files. Extents are numbered on the label cylinder in the order submitted.

relative track

One to five characters indicating the sequential number of the track, relative to zero, where the data extent is to begin. If this field is omitted on an ISAM file, the extent is not accepted. This field is not required for SAM input files (the extents from the file labels are used). This field must be specified for DAM input files.

For VSAM, this operand must be specified when a data space or a file with the UNIQUE option is being created (defined by Access Method Services). This operand is not required, and it is ignored if it is specified, when a VSAM file is created within an existing data space. In this case, the space for the file is sub-allocated by VSAM from direct-access extents it already owns. This operand is also not required for VSAM input files because the extents are obtained from the VSAM catalog.

When using split cylinder files, this parameter designates the beginning of the split as well as the first track of the file.

Formulas for converting actual to relative track (RT) and relative track to actual for the DASD devices follow.

Actual to Relative

- 2311 10 x cylinder number + track number = RT
- 2314/ 20 x cylinder number + track number = RT
- 2319
- 2321 1000 x subcell number + 100 x strip number + 20 x cylinder number + track number = RT
- 3330/ 19 x cylinder number + track number = RT
- 3333
- 3340 12 x cylinder number + track number = RT
- 3350 30 x cylinder number + track number = RT

Relative to Actual

- 2311 $\frac{RT}{10}$ = quotient is cylinder, remainder is track
- 2314/ $\frac{RT}{20}$ = quotient is cylinder, remainder is track
- 2319
- 2321 $\frac{RT}{1000}$ = quotient is subcell, remainder1
- $\frac{\text{remainder1}}{100}$ = quotient is strip, remainder2
- $\frac{\text{remainder2}}{20}$ = quotient is cylinder, remainder is track
- 3330/ $\frac{RT}{19}$ = quotient is cylinder, remainder is track
- 3333
- 3340 $\frac{RT}{12}$ = quotient is cylinder, remainder is track
- 3350 $\frac{RT}{30}$ = quotient is cylinder, remainder is track

Example: Track 5, cylinder 150 on a 3330 = 2855 in relative track.

number of tracks

One to five characters indicating the number of tracks to be allotted to the file. For SD input, this field may be omitted, provided the 'relative track' field is also omitted. For an indexed sequential file, the number of tracks for prime data must be a multiple of 10 for 2311, of 19 for 3330 or 3333, of 12 for 3340, of 20 for 2314 or 2319, and of 30 for 3350. The number of tracks for a split cylinder file must be the product of the number of cylinders for the file and the specified number of tracks per cylinder for that file.

This operand and the 'relative track' operand must either both be present or both be omitted. If the operands are present in an initial EXTENT statement, they must also be specified in all succeeding EXTENT statements. If they are omitted, they are ignored in all succeeding EXTENT statements.

For VSAM, this operand must be specified when a data space or a file with the UNIQUE option is being created (defined by Access Method Services). This operand is

not required, and it is ignored if it is specified, when a VSAM file is created within an existing data space. In this case, the space for the file is sub-allocated by VSAM from direct-access extents it already owns. This operand is also not required for VSAM input files because the extents are obtained from the VSAM catalog.

split cylinder track

One or two characters, from 0-19, indicating the upper track number for the split cylinder in SAM files.

bins

One or two characters identifying the 2321 bin for which the extent was created, or on which the extent is currently located. If the field is one character, the creating bin is assumed to be zero. There is no need to specify a creating bin for SAM or ISAM files. If this operand is omitted, bin zero is assumed for both bins. If the operand is included and positional operands are omitted, only one comma is required preceding the key-word operand. (One comma for each omitted positional operand is acceptable, but not necessary.)

HOLD

The HOLD command is used to hold assignments before you issue a command to unbatch a foreground partition. The partitions may be specified in any sequence; at least one partition must be given.

JCC Format

HOLD Fn [,Fn] ...
n indicates the desired partition.

IGNORE

Whenever an abnormal condition arises, the operator will be notified by an appropriate message on SYSLOG. Depending on the situation, he may have to ignore the condition by entering an IGNORE command. This is indicated under 'Operator Action' in DOS/VS Messages, GC33-5379, for each message appearing on SYSLOG.

JCC and AR Format

IGNORE

JOB

The JOB statement indicates the beginning of control information for a job. It is in the following format.

JCS Format

// JOB jobname [accounting information]

jobname The name of the job. Must be one to eight alphanumeric characters (0-9, A-Z, #, \$, @) or /, -, or ".". When a job is restarted, the jobname must be identical to that used when the checkpoint was taken. Any user comments can appear on the JOB statement following the jobname (through column 71). If the timer feature is present, the time of day appears in columns 73-100 when the JOB statement is printed on SYSLOG. The time of day is printed in columns 1-28 on the next line of SYSLOG.

In both cases the format is

DATE mm/dd/yy,CLOCK hh/mm/ss

accounting information

If the job accounting interface has been specified during system generation, the 16 characters of user-specified accounting information are moved to the Job Accounting Table. If accounting information is specified, it must be separated from the job name by a single blank. If the job accounting interface is not specified during system generation, any information specified after the jobname is ignored.

Notes:

1. If the JOB statement is omitted from the job stream, no duration and/or date is printed at end of job (when the /& statement is read).
2. The start time that the job accounting routines store in byte 36 of the Job Accounting Table is calculated from the values in virtual storage locations 80 and 84 (job step start time). Step stop time for any given step is step start time for the next step.

LBLTYP

The LBLTYP statement (Reserve Storage for Label Information) defines the amount of storage to be reserved at link-edit time or at execution time (for self-relocating programs) for processing of tape and nonsequential disk file labels in the real or virtual address area of virtual storage. It applies to both background and foreground virtual programs. It is to be submitted immediately preceding the // EXEC LNKEDT statement, with the exception of self-relocating programs, for which it is instead submitted immediately preceding the // EXEC statement for the program.

Storage for VSAM label processing is reserved automatically by VSAM routines; an LBLTYP statement is not required.

JCS Format

```
// LBLTYP { TAPE[(nn)] }
           { NSD(nn)   }
```

TAPE[(nn)] Used only if tape files requiring label information are to be processed, and no nonsequential DASD files are to be processed. nn is optional, and is present only for future expansion. (It is ignored by job control.)

NSD(nn) Used if any nonsequential DASD files are to be processed regardless of other type files to be used. nn specifies the largest number of extents (maximum 16) to be used for a single file.

The amount of storage that must be reserved for label information is:

1. For standard tape labels (any number): 80 bytes.
2. For sequential DASD and DTFPH MOUNTED=SINGLE: 0 bytes.
3. For DTFIS, DTFDA, and DTFPH MOUNTED=ALL: 84 bytes plus 20 bytes per extent.

The area reserved is that required by the file with the largest requirement. This area is used during OPEN.

LFCB

The LFCB command causes the system to load the buffer image, contained in the named system core image library phase, into the forms control buffer of the specified printer. The command can be used for any DOS/VS supported printer on which forms skip

operations are controlled by an FCB. During the time the printer in question is printing the output of a program this command should be used with extreme caution, as there is no way of predicting when the printer will be finished printing the output under control of the current FCB load. For a printer in operation it is recommended that the operator use this command if, for example, printing the output for a particular program started under control of the wrong FCB load and he is able to correct this by issuing the command. When the program runs in a POWER/VS-controlled partition, this command can be used with the restart capability of POWER/VS.

AR Format

```
LFCB X'cuu', phasename[, FORMS=xxxx]
     [, LPI=n] [, NULMSG]
```

X'cuu' specifies the channel and unit number of the printer whose FCB is to be loaded.

phasename specifies the name of the system core image library phase that contains the applicable buffer load image. For detailed information on the contents and format of this phase refer to the section "System Buffer Load (SYSBUFLD)".

FORMS=xxxx specifies the installation-defined forms number xxxx of the paper that is to be used with the new FCB load. For xxxx, substitute from one to four alphameric characters. If the new FCB load requires a change of forms, this operand must be specified to ensure proper system operation.

LPI=n (for a printer other than a 3211). Indicates the required setting of the carriage clutch. For n, you can either substitute 6 (six lines per inch) or 8 (eight lines per inch). The system inserts this operand in a buffer load action message.

NULMSG specifies that the printing of a buffer load verification message is to be suppressed. If NULMSG is specified, the system continues processing immediately after the FCB load operation has been completed, and the operator is unable to verify that the contents of the FCB match the forms to be used.

LISTIO

The LISTIO command or statement (List I/O Assignment) causes the system to print a listing of I/O assignments. The listing appears on a SYSLOG (command) or SYSLST (statement). If SYSLST is not assigned, the LISTIO statement is ignored.

JCS Format

```
// LISTIO {
  SYS
  PROG
  BG
  Fn
  ALL
  SYSxxx
  UNITS
  DOWN
  UA
  X'cuu' }
```

JCC Format

```
LISTIO {
  SYS
  PROG
  BG
  Fn
  ALL
  SYSxxx
  UNITS
  DOWN
  UA
  X'cuu' }
```

- SYS** Lists the physical units assigned to all background system logical units or the physical units assigned to all system logical units of the particular foreground partition.
- PROG** Lists the physical units assigned to all programmer logical units of the background partition or of the particular foreground partition.
- BG** Lists the physical units assigned to all logical units of the background partition.
- Fn** Lists the physical units assigned to all logical units of the particular foreground partition, where n is the number of the partition.
- ALL** Lists the physical units assigned to all logical units.
- SYSxxx** Lists the physical units assigned to the logical unit specified (invalid for SYSOUT and SYSIN).

The assignment is given for the partition from which the command is given.

- UNITS** Lists the logical units assigned to all physical units.
- DOWN** Lists all physical units specified as inoperative.
- UA** Lists all physical units not currently assigned to a logical unit.
- X'cuu'** Lists the logical units assigned to the physical unit specified.

Physical units are listed with current device specification for magnetic tape units. Logical units are listed with ownership (BG, Fn), when applicable. If a unit has a standard assignment in one mode and a temporary assignment in another mode, the CMNT column identifies the type of assignment for each indicated mode. An example of a listing produced by the LISTIO F1 command is shown in Figure 5. All channel and unit numbers are represented in hexadecimal.

If a standard or permanent assignment is temporarily overwritten, STD in the CMNT (comment) column indicates the permanent assignment, whereas the temporary assignment is printed one line above (see, for example, SYSSLB in Figure 5).

If a device is assigned only temporarily, UA is printed in the STD line (see SYS002 in Figure 5).

ALT in the CMNT column indicates that an alternate tape has been assigned.

LOG

The LOG command causes the system to log, on SYSLOG, columns 1-72 of all job control commands and statements occurring in the partition in which the LOG is issued. The AR LOG affects all the partitions. The LOG function is effective until a NOLOG command for the partition involved is sensed.

The LOG command suppresses the ACANCEL function in the supervisor.

JCC and AR Format

LOG

The operand field is ignored by the system.

```
// ASSGN SYSSLB,X'131'
// ASSGN SYS000,X'290'

ASSGN SYS001,X'280',X'CO'
ASSGN SYS001,X'281',ALT

// ASSGN SYS002,X'280',X'CO'
// ASSGN SYS003,X'281'
// ASSGN SYS004,X'282',X'CO'
// LISTIO F1
```

```
***** FOREGROUND 1 *****
I/O UNIT  CMNT  CHNL  UNIT  MODE

SYSRDR          0      0C
SYSIPT          0      0C
SYSPCH          *** UA ***
SYSLST          0      0E
SYSLOG          0      1F
SYSLNK          1      31
SYSRES          1      30
SYSSLB          1      31
SYSSLB          STD   1      30
SYSRLB          1      30
SYSREC          1      30
SYSCLB          *** UA ***
```

```
***** FOREGROUND 1 *****
I/O UNIT  CMNT  CHNL  UNIT  MODE

SYS000          2      90
SYS000          STD   *** UA ***
SYS001          2      80      CO
SYS001          ALT   2      81      CO
SYS002          2      80      CO
SYS002          STD   *** UA ***
SYS003          2      81      CO
SYS003          STD   *** UA ***
SYS004          2      82      CO
SYS004          STD   *** UA ***
SYS005          *** UA ***
SYS006          *** UA ***
SYS007          *** UA ***
SYS008          *** UA ***
SYS009          *** UA ***
SYS010          *** UA ***
SYS011          *** UA ***
SYS012          *** UA ***
SYS013          *** UA ***
SYS014          *** UA ***
SYS015          *** UA ***
SYS016          *** UA ***
SYS017          *** UA ***
SYS018          *** UA ***
SYS019          *** UA ***
SYS020          *** UA ***
SYS021          *** UA ***
SYS022          *** UA ***
SYS023          *** UA ***
SYS024          *** UA ***
```

LUCB

The LUCB command causes the system to load the buffer image, contained in the named core image library phase, into the universal character set buffer (UCB) of the specified printer. The command can be used for any DOS/VS supported printer equipped with the UCS feature. During the time the printer in question is printing the output of a program this command should be used with extreme caution, as there is no way of predicting when the printer will be finished printing the output under control of the current UCB load. For a printer in operation it is recommended that the operator use this command if, for example, printing the output for a particular program started under control of the wrong UCB load and the operator is able to correct this condition by issuing the command. When the program runs in a POWER/VS-controlled partition, this command can be used because of the restart capability of POWER/VS.

AR Format

```
LUCB X'cuu',phasename[,FOLD][,NOCHK]
[,TRAIN=xxxxxx][,NULMSG]
```

X'cuu' specifies the channel and unit number of the printer whose UCB is to be loaded.

phasename specifies the name of the system core image library phase that contains the applicable buffer load image. For detailed information on the contents and format of this phase refer to "User-Written UCB Load Phase" in the section entitled "System Buffer Load (SYSBUFLD)". For a 1403, the required load phase format is the same as for the 3203.

FOLD causes lower case characters to be printed as upper case characters.

NOCHK Causes data checks resulting from mismatches between printline characters and the UCB to be suppressed.

TRAIN=xxxxxx

Indicates that the print train (print chain for a 1403) identified by xxxxxx is to be mounted on the printer. The system inserts this operand in an action message. The train (or chain) identification xxxxxx may be from one to six characters in length. If a new train (or chain) must be installed, this operand is required to ensure proper system operation.

Figure 5. Example of LISTIO F1 Output

NULMSG Specifies that the printing of a buffer load verification message is to be suppressed. If NULMSG is specified, the system continues normal processing immediately after the UCB load operation has been completed and the operator is unable to verify that the contents of the UCB match the print train (or chain) mounted on the printer.

MAP

The MAP command produces on SYSLOG a map of the storage areas allocated to programs both real and virtual. It indicates program execution mode (R,V), whether a partition is inactive (I), deactivated (D), or active (A); and partition priority. Sizes of the supervisor, page pool, SVA, system GETVIS area, and real and virtual storage are also shown.

JCC and AR Format

MAP

The map of allocated storage areas is produced in the following format:

AREA	K-REAL	UPPER LIM	K-VIRT	UPPER LIM	NAME
SP	88K	15FFF		100000	
BG V5A	512K	95FFF	512K	17FFFF	No Name
F4 I4	20K	9AFFF	512K	1FFFFF	
F3 I3	20K	9FFFF	512K	27FFFF	
F2 I2	20K	A4FFF	512K	2FFFFF	
F1 I1	20K	A9FFF	512K	37FFFF	
SVA			300K	3CAFFF	
VIS			100K	3CAFFF	
PP	326K	FB7FF			
BG					

Figure 6. Example of Storage Allocation Map

Note: The output does not reflect real storage temporarily added to the page pool as a result of using the SIZE parameter of the EXEC statement, or inactive real partitions.

AREA SP = supervisor
 BG, F4, F3, F2, F1 = partition
 SVA = shared virtual area
 VIS = system GETVIS area
 PP = main page pool
 R = real mode
 V = virtual mode
 I = inactive partition
 A = active partition (or system

directory list has been built in the SVA)
 D = deactivated partition (this partition has previously been active)
 1-5 = priority of partition

K-REAL Shows the number of K bytes allocated in the real address area.

UPPER LIM Shows the highest storage address (in hexadecimal) of each area in the real address area.

K-VIRT Shows the number of K bytes allocated in the virtual address area.

UPPER LIM Shows the highest storage address (in hexadecimal) of each area in the virtual address area. For the supervisor, this field specifies the start address of the virtual address area.

NAME Contains the name of the job that is currently executing in the corresponding partition. This field is blank for the supervisor, SVA, VIS, and main page pool.
 For an active partition when no JOB statement or command was entered, the name field contains NO NAME. For an inactive foreground partition, the name field is blank.

MODE

The MODE command allows you to alter the recording mode.

The MODE command provides the following options for controlling recoverable machine check interrupts (MCI):

- The mode of recording for unlabeled and nonstandard labeled tape can be reset.
- The recording mode for a particular device other than a teleprocessing device can be set to intensive or diagnostic, or no recording mode can be specified.
- The mode that the system is operating in (the status of the system) can be requested.

- An EFL threshold value can be specified to override the IBM-supplied value.
- The MODE command can also be used to place the Models 145/148 control storage ECC in threshold mode.

The MODE command is a notational command. Operands of the MODE command can be entered in any order and must be continuous (that is, no blanks are allowed between or within operands). The STATUS operand cannot have any other operand, before or after it.

The total length of the MODE command must not exceed 30 characters.

AR Format

```

MODE {
  IR
  CR
  CE, cuu [ , I [ , xx, y ]
           , D [ , xx, y ]
           , N
  R
  STATUS
  HIR [ , M ] * { [ , R ] [ , E=eeee ] [ T=tttt ] *
                 [ , Q
                 [ , TH
  ECC [ , C ] * { [ , R ] [ , E=eeee ] [ T=tttt ] *
                 [ , Q
                 [ , TH
}

```

*Note: When either HIR or ECC is specified, at least one of the optional operands must be selected. TH is only valid for the Models 145/148 when ECC, C is specified with the MODE command.

In a VM/370 environment the following formats of the MODE command are not accepted and will cause message 1I94D COMMAND IGNORED IN VM/370 ENVIRONMENT to be issued:

```

MODE {
  R
  HIR, Q
  ECC, M, R
  ECC, M, Q
  ECC, C, R
  ECC, C, Q
  ECC, C, TH
}

```

For a Model 115 or 125, a MODE command is valid only if RMSR is supported. Even then, only the operands IR, CR, and CE may be used. The operands R, STATUS, HIR, and ECC must never be specified for a Model 115 or 125.

The meanings of the operands are:

IR Recording mode for nonstandard
 CR labeled and unlabeled tape. Specify Individual Recording (IR) if you wish to record and then reset the tape error statistics at each tape OPEN. Specify Combined Recording (CR) to accumulate all the statistics from nonstandard labeled

and unlabeled tape on a specific tape unit until a standard labeled tape is opened. Then one recording of the statistics from all the nonstandard labeled and unlabeled tapes is made on SYSREC, and the statistical counters are reset in the PUB2 table.

CE The recording mode for a device at physical location X'cuu' may be reset. The possible recording modes are:

Normal. The default, normal, is assumed.

I Intensive. Normal recording continues. In addition, the next seven errors of a particular type (xx,y) or the next seven errors of any type (if xx,y is not specified) are recorded. The number of I/O retries required for success is not recorded.

D Diagnostic. Normal recording continues. In addition, the next seven errors of a particular type (xx,y) or the next seven errors of any type (if xx,y is not specified) are recorded. The number of I/O retries required for success is also recorded.

N No recording.

When the recording mode parameter is the last parameter of the MODE command, a check is made to see if all errors are recorded. When in intensive or diagnostic mode, it is possible to check for only one type of error. Indicate the bit to be examined with:

(xx,y) where y is the bit (0-7) and xx the byte (0-31) of sense data to be checked.

STATUS A report is printed on SYSLOG which indicates:

- The type of facility used (HIR,ECC)
- System mode of operation
- Current error count
- Error count threshold
- Current elapsed time
- Time threshold
- Number of buffer pages deleted.

A buffer page is a 32-byte work area in control storage that is used by the Model 155 hardware program.

The status report formats are:

HIR, {R}
{Q}, aaaa/eeee, bbbb/tttt

For the Models 135/138

ECC, {R}
{Q}

For the Models 145/148

ECC, {R}, {M}
{Q}, {C}, aaaa/eeee, bbbb/tttt

where:

aaaa = Current error count
eeee = Error count threshold
bbbb = Current elapsed time
tttt = Total threshold

For the Models 155-II and 158

ECC, {R}
{Q}, aaaa/eeee, bbbb/tttt

BUF DLT=xxx

where:

aaaa = Current error count
eeee = Error count threshold
bbbb = Current elapsed time
tttt = Time threshold
xxx = Total number of inoperable
buffer pages deleted.

HIR Hardware Instruction Retry. This operand changes the mode of the HIR facility to R or Q and/or modifies the error count threshold and/or time threshold.

Note: When HIR is placed in quiet mode, ECC, also goes into quiet mode.

ECC Error Correction Code. This operand changes the mode of the ECC facility to R or Q, and/or modifies the error count threshold and/or time threshold. ECC,R and ECC,Q are the only valid modes of diagnosis for the Models 135/138. If ECC is specified for a Model 145 or 148, M or C must also be specified. ECC can also place the Model 145/148 control storage in threshold mode.

Note: Use of the Error Correction Code (ECC) in full recording mode may cause severe system degradation. Thus, the [ECC,M/C,R] operand combination of the MODE command

should only be used by the customer engineer or at his request.

R Recording Mode

MODE R - places both HIR and ECC in recording mode.

MODE HIR,R - places HIR in recording mode.

MODE ECC,R (Models 155-II and 158) - if HIR is already in recording mode, it places ECC in recording mode.

MODE ECC,M,R (Models 145/148) - if HIR is already in recording mode, real storage is placed in recording mode.

MODE ECC,C,R (Models 145/148) - if HIR is already in recording mode, control storage is placed in recording mode.

Q Quiet Mode

MODE HIR,Q - places both HIR and ECC in quiet mode.

MODE,ECC,Q (Models 135/138, 155-II, and 158) places ECC in quiet mode.

MODE ECC,M,Q, (Models 145/148) - places real storage in quiet mode.

MODE ECC, C,Q (Models 145/148) - places control storage in quiet mode.

M or C Real or control storage: M or C is only valid for Models 145/148. M or C must be specified when ECC is specified for the Models 145/148. M indicates real storage and C control storage.

TH Threshold Mode: on the next occurrence of an ECC control storage error, control storage is placed in quiet mode. TH is only valid for the Models 145/148 if ECC,C is specified. TH places the Models 145/148 control storage ECC in threshold mode. If TH is specified, T=tttt must also be specified.

E=eeee Values entered for E and T must be within the following decimal ranges:

E - 8 (initial value) through 9999

T - 8 (initial value) through 9999

The IBM-supplied value is 8.

Note: Whenever HIR is in quiet mode, ECC mode must not be changed.

For the Models 135/138, the only valid mode commands are:

```
MODE CE,...
MODE STATUS
MODE ECC,Q
MODE ECC,R
```

MSG

The MSG command transfers control to an operator communications routine previously activated by a STXIT command.

AR Format

```
MSG {BG}
    {Fn}
```

Fn indicates the desired foreground partition. BG indicates the background partition; pressing the INTERRUPT key, however, produces the same result for BG.

If the program in the specified partition has not established operator communication linkage, a message is printed on SYSLOG informing the operator of this condition.

MTC

The MTC command or statement controls IBM 2400/3400 series magnetic tape operations. The first operand specifies the operation to be performed.

JCS Format

```
// MTC opcode, SYSxxx[,nn]
```

JCC Format

```
MTC opcode, {X'cuu'}[,nn]
             {SYSxxx}
```

The first operand can be:

Opcode	Meaning
BSF	Backspace one file so tape is positioned for reading the tapemark preceding the file backspaced.
BSR	Backspace record.
DSE	Data security erase.*
ERG	Erase gap (write blank tape).
FSF	The tape is positioned beyond the tapemark following the file spaced over.
FSR	Forward space record.
RUN	Rewind and unload tape.
REW	Rewind tape.
WTM	Write tapemark.

* Data security erase (3400-series only). This command erases a tape from the point at which the tape is positioned when the operation is initiated up to the end-of-tape reflective marker. If data is written after the end-of-tape reflective marker, the data must be erased with [//] MTC ERG SYSnnn.

To ensure that a DSE failure is detected quickly, rewind or rewind-unload should be performed with an MTC rather than manually. If the DSE command is issued when the tape is at load point, the contents of the tape, including the volume label, are erased completely. In such a case the tape must be reinitialized or a tapemark must be written on it before it can be used again.

The partition that issued the [//] MTC DSE command is placed in the wait state until the end-of-tape reflective marker is reached.

The second operand, SYSxxx, represents any assigned logical unit.

X'cuu' is the channel and unit in hexadecimal where c is the channel number (0-6) and uu is the unit number, 00-FE (0-254). X'cuu' is not valid for JCS.

The optional third entry, nn, is a decimal number (01-99) representing the number of times the specified operation is to be performed. If nn is not specified, the operation is performed once.

NEWVOL

If an assignment specifying VOL= was given for a disk or tape unit and the system cannot find the requested volume on that unit, then the system prints a message on SYSLOG. The message 1T50A requests the operator to mount the desired volume. The partition enters the wait state. After having mounted the proper volume, the operator issues the NEWVOL attention command to indicate that processing may continue with the new volume.

AR Format

NEWVOL { BG }
 { Fn }

Fn indicates the desired foreground partition, BG the background partition. If no operand is specified, BG is assumed. If the specified partition is not waiting for a volume to be mounted, an error message is printed on SYSLOG.

NOLOG

The NOLOG command (Suppress Logging) terminates the listing, on SYSLOG, of job control commands and statements (except JOB, PAUSE, STOP, ALLOC, ALLOCR, MAP, HOLD, DVCND, DVCUP, *, EOJ (/&), and EOP (/+)) that occur in the partition in which the NOLOG is issued. The NOLOG attention command affects all the partitions. The NOLOG function is effective until a LOG command for the partition involved is sensed.

JCC and AR Format

NOLOG

The operand field is ignored by the system.

OPTION

The OPTION statement specifies one or more of the job control options. The format of the OPTION statement is:

JCS Format

// OPTION option1[,option2...]

The options that can appear in the operand field follow. Selected options can be in any order. Options are reset to the standards established at system generation time upon encountering a JOB or a /& statement.

LOG

Lists columns 1-80 of all control statements and commands on SYSLIST. Control statements and commands are not listed until a LOG option is encountered. Once a LOG option statement is read, logging continues from job step to job step until a NOLOG option is encountered or until either the JOB or /& control statement is encountered.

NOLOG

Suppresses the listing of all valid control statements and commands on SYSLST until a LOG option is encountered. If SYSLST is assigned, invalid statements and commands are listed.

DUMP

Dumps the registers, supervisor area, and the virtual or the temporary real partition on SYSLST, if assigned, in the case of an abnormal program end (such as program check).

Note: If SYSLST is assigned to a 3211 printer, the indexing feature of the device must be used with care. Shifting the print line to the left or too far to the right causes characters to be left out from every printed line of the dump.

PARTDUMP

Dumps the registers, the addresses and contents of the partition COMREG, the PUB table, the PUB owner, the partition LUB table, the JIB table, the partition DIB table, the label type and the partition in which the program resides. The dump will be recorded on SYSLST (if assigned) in case of an abnormal program end. Refer to the Note under DUMP.

NODUMP

Suppresses the DUMP or PARTDUMP option.

LINK

Indicates that the object module is to be link-edited. When the LINK option is used, the output of the language translators is written on SYSLNK. The LINK option must always precede an EXEC LNKEDT statement in the input stream. (CATAL also causes the LINK option to be set.) LINK is accepted by job control operating in a foreground partition if NPARTS > 1 and PCIL=YES is specified during system generation and a private core image library is assigned. The LINK option is reset to NOLINK upon encountering an ASSGN statement or command for SYSLNK.

NOLINK	Suppresses the LINK option. The language translators can also suppress the LINK option if the problem program contains an error that would preclude the successful execution of the problem program.	XREF	The assembler writes the symbolic cross-reference list on SYSLST.
DECK	Language translators produce object modules on SYSPCH. If LINK is specified, the DECK option is accepted by the PL/I, FORTRAN IV, American National Standard and DOS/VS COBOL compilers, and the assembler.	NOXREF	Suppresses the XREF option.
NODECK	Suppresses the DECK option.	RLD	The assembler writes the relocation list dictionary on SYSLST. This option is suppressed if NOLIST is specified
EDECK	The assembler punches all valid source macro definitions in edited format on SYSPCH. These macro definitions can be included in sublibrary E of the source statement library.	NORLD	Suppresses the RLD option.
NOEDECK	Suppresses the EDECK option.	ERRS	The FORTRAN, ANS and DOS/VS COBOL, and PL/I compilers summarize all errors in the source program on SYSLST.
ALIGN	The assembler aligns constants and data areas on proper boundaries and checks the alignment of addresses used in machine instructions.	NOERRS	Suppresses the ERRS option.
NOALIGN	Suppresses the ALIGN option.	ACANCEL	This option indicates that the job must be canceled (instead of awaiting operator intervention) if an attempt to assign a device is unsuccessful. This may be due to an undefined device, invalid device status, unassignable unit, or conflicting I/O assignments. At end-of-job, this option is set to the standard setting specified at system generation time.
LIST	Language translators write the source module listing on SYSLST. The assembler also writes the hexadecimal object module listing and the assembler and FORTRAN write a summary of all errors in the source program. All are written on SYSLST.		The ACANCEL option is suppressed when either the LOG command has been issued by the operator or a LOG statement for the partition is effective.
NOLIST	Suppresses the LIST option. This option overrides the printing of the external symbol dictionary, relocation list dictionary(RLD), and cross reference (XREF) list.	NOACANCEL	Suppresses the ACANCEL option. The system awaits operator intervention in the case of an unsuccessful assignment.
LISTX	The ANS and DOS/VS COBOL compilers produce a PROCEDURE DIVISION MAP on SYSLST. The PL/I and FORTRAN compilers produce the object modules on SYSLST.	CATAL	A phase or program is cataloged in the core image library at the completion of a link-edit run. CATAL also sets the LINK option. CATAL is accepted by job control operating in a foreground partition if NPARTS > 1 and PCIL=YES is specified during system generation and a private core image library is assigned.
NOLISTX	Suppresses the LISTX option.	STDLABEL	All DASD and tape labels submitted after this point are written at the beginning of the standard label track. Reset to USRLABEL option at end of job or end-of-job step. All file definition statements submitted after this option are available to any program in any partition until another set of standard file definition statements is submitted. STDLABEL is not accepted by job control operating in a foreground partition. All file definition state-
SYM	The American National Standard and DOS/VS COBOL compilers produce a DATA DIVISION map on SYSLST; the PL/I compiler produces the symbol table on SYSLST; the COBOL compilers produce a DATA DIVISION map on SYSLST.		
NOSYM	Suppresses the SYM option.		

ments following OPTION STDLABEL are included in the system standard file definition set until one of the following occurs:

1. End-of-job.
2. OPTION USRLABEL is specified.
3. OPTION PARSTD is specified.

OPTION STDLABEL followed by a /& clears the standard label track. (See Note.)

USRLABEL All DASD and tape labels submitted after this point are written at the beginning of the user label track. (See Note.)

PARSTD All DASD and tape labels submitted after this point are written at the beginning of the partition standard label track. Reset to USRLABEL option at end of job or end-of-job step. All file definition statements submitted after this option are available to any program in the current partition until another set of partition standard file definition statements is submitted. All file definition statements submitted after OPTION PARSTD are included in the partition standard file definition set until one of the following occurs:

1. End-of-job.
2. OPTION USRLABEL is specified.
3. OPTION STDLABEL is specified.

OPTION PARSTD followed by a /& clears the partition standard label track.

For a given filename, the sequence of search for label information during an OPEN is the USRLABEL area, followed by the PARSTD area, followed by the STDLABEL area. (See Note.)

48C Specifies the 48-character set on SYSIPT (for PL/I).

60C Specifies the 60-character set on SYSIPT (for PL/I).

SYSPARM= 'string'
Specifies a value for the assembler system variable symbol \$SYSPARM. \$SYSPARM gets the value of the string, which is enclosed by apostrophes. The string can contain 0-8 EBCDIC characters. One internal quote must be represented by two. (Job control removes one of them when setting the value.) The surrounding

quotes are not included and the length of \$SYSPARM is determined by the resulting string.

This operand is invalid if SYSPARM support was not specified when the system was originally generated.

SUBLIB=DF Directs the DOS/VS assembler and ESERV program to retrieve non-edited macros and copy-books from the D.sublibrary of the source statement library instead of from the A.sublibrary and to retrieve edited macros from the F.sublibrary instead of from the E.sublibrary. IBM uses the D. and F.sublibraries to distribute macros and copy source code for programs that are to be executed in a teleprocessing network control unit. The option remains in force until an end-of-job condition or a // OPTION SUBLIB=AE statement is encountered.

SUBLIB=AE Redirects the Assembler and the ESERV program to retrieve non-edited macros and copy books from the A.sublibrary and to retrieve edited macros from the E.sublibrary.

The options specified in the OPTION statement remain in effect until a contrary option is encountered or until a JOB control statement is read. In the latter case, the options are reset to the standard that was established when the system was originally generated.

Any assignment for SYSLNK after the occurrence of the OPTION statement cancels the LINK and CATAL options. These two options are also canceled after each occurrence of an EXEC statement with a blank operand.

Note: By storing the label information for a disk file on the label cylinder(s), DOS/VS relates that file to the type of the device which is assigned to the pertinent logical unit when this file is processed for the first time. A later attempt to use this label information for the same file (and extent) on a different device type causes DOS/VS to cancel the job. If a different device type has to be used for a file whose label information is stored on the label cylinder(s), DOS/VS requires that the original label statements be re-submitted with the pertinent logical unit assigned to an extent on a device of the new type.

Refer to DOS/VS Tape Labels, GC33-5374, and DOS/VS DASD Labels, GC33-5375 for additional information about STDLABEL, USRLABEL, and PARSTD.

OVEND

The OVEND (Overwrite End) statement or command applies to cataloged procedures only. It is used to indicate that no more overwrite statements will follow for the respective procedure.

JCS Format

```
// OVEND      [comment]
```

JCC Format

```
OVEND      [comment]
```

For the use of overwrite statements and the rules that apply to temporary procedure modification, refer to the DOS/VS System Management Guide, GC33-5371.

PAUSE

The PAUSE statement causes a pause immediately after processing this statement.

The PAUSE command causes a pause at the end of the current job step.

The PAUSE statement or command always appears on SYSLOG. If only a printer is available, the PAUSE statement or command is ignored. At the time SYSLOG is unlocked for message input, you can continue processing by pressing the END/ENTER key.

JCS Format

```
// PAUSE [any user comment]
```

JCC Format

```
PAUSE [any user comment]
```

AR Format

```
PAUSE {  $\frac{BG}{Fn}$  } [,EOJ]
```

For the attention routine, if the first operand is omitted, BG is assumed. The EOJ operand must be preceded by a partition identifier.

The attention routine PAUSE command normally causes job control processing to pause at the end of the current job step in the partition specified. Use of the EOJ operand causes job control processing to pause at end-of-job in the partition specified.

PRTY

The PRTY (priority) command allows the operator (a) to display the priority sequence of the partitions in the system, which was set at system generation, or (b) to change that sequence. In both cases also the current status (if active) of the TP Balancing function is displayed.

AR Format

```
PRTY
```

This format of the PRTY command displays the priority of all partitions on the device assigned to SYSLOG.

```
PRTY partition, partition, ...
```

This format of the command changes the priority of the partitions. The number of operands specified must coincide with the number of partitions in the system. The order of operands indicates the new priority sequence, in ascending order. For example

```
PRTY      BG,F3,F1,F2
```

sets the background partition with the lowest, and partition F2 with the highest priority in a four-partition system.

RESET

The RESET command or statement (Reset I/O Assignments) resets temporary I/O assignments to the standard assignments in the partition in which RESET was submitted. The standard assignments are those specified when the system is generated, plus any modifications made by the operator via an ASSGN command without the TEMP option.

When the physical device affected by RESET is a magnetic tape drive, the current mode set in the PUB table is set to the standard mode set for the device. The standard mode set is established at IPL time and is modified by a permanent ASSGN with an X'ss' parameter.

JCS Format

```
// RESET {  $\frac{SYS}{PROG}$  }  
          {  $\frac{ALL}{SYSxxx}$  }
```

JCC Format

```
RESET {  $\frac{SYS}{PROG}$  }  
       {  $\frac{ALL}{SYSxxx}$  }
```

SYS	Resets all system logical units to their standard assignments.	SYSxxx	Symbolic unit name of the device on which the checkpoint records are stored. This unit must have been previously assigned.
PROG	Resets all programmer logical units to their standard assignments.	nnnn	Identification of the checkpoint record to be used for restarting. This serial number is four characters. It corresponds to the checkpoint identification used when the checkpoint was taken. The serial number is supplied by the checkpoint routine, and printed on SYSLOG when the checkpoint is taken.
ALL	Resets all logical units to their standard assignments.		
SYSxxx	Resets the logical unit specified to its standard assignment. SYSIN or SYSOUT cannot be specified.		

ROD

The ROD command (Record on Demand) records all statistical data record (SDR) counters for all non-teleprocessing devices on the recorder file on SYSREC from the SDR counters in storage. The command must not be issued until all jobs in the partitions in an MPS environment have completed. The ROD command also initializes the writing of the RDE end-of-day (EOD) record on SYSREC. The ROD command has no operand.

Note: This command must not be specified for a Model 115 or 125 that is generated without software recording.

JCC Format

ROD

RSTRT

The RSTRT statement (Restart Checkpointed Program) is available for checkpointed programs. A programmer can use the CHKPT macro instruction in his program to write checkpoint records. The maximum number of checkpoints that can be taken is decimal 9999. The checkpointed information includes the registers, tape-positioning information, a dump of the program, and a restart address.

The restart facility allows the programmer to continue execution of an interrupted job at a point other than the beginning. The procedure is to submit a group of job control statements including a restart (RSTRT) statement.

JCS Format

```
// RSTRT SYSxxx,nnnn[,filename]
```

filename Symbolic name of the disk checkpoint file to be used for restarting. It must be identical to the filename of the DTFPH to describe the disk checkpoint file and the fifth parameter of the CHKPT macro instruction. This operand applies only when specifying a disk as the checkpoint file.

See DOS/VS Supervisor and I/O Macros, GC33-5373, for further details on the CHKPT macro instruction.

When a checkpoint is taken, the completed checkpoint is noted on SYSLOG. Restarting can be done from any checkpoint record, not just the last. The jobname specified in the JOB statement must be identical to the jobname used when the checkpoint was taken. The proper I/O device assignments must precede the RSTRT control statement.

Assignment of input/output devices to symbolic unit names may vary from the initial assignment. Assignments are made for restarting jobs in the same manner as assignments are made for normal jobs. Care must be taken that a real-mode program is restarted in a real partition and a virtual-mode program in a virtual partition.

SET

The SET command initializes the UPSI configuration, specifies the number of lines to be printed on SYSLSLST, specifies the remaining disk capacity when SYSLSLST or SYSPCH is assigned to disk, and defines to the system the status of the recorder file on SYSREC used by the recovery management support recorder (RMSR) features. It also sets the system date, defines the status of the hard copy file for the display operator console, defines a new size for the

SVA, and specifies an SDL in the SVA. The SET card should precede the JOB card in job control sequence.

Note: RCPCH and RCLST operands are ignored if SYSLST or SYSPCH is assigned to a 3540 diskette.

JCC Format

SET [UPSI=n1] [,LINECT=n2] [,RCLST=n3]
[,RCPCH=n4] [,RF=n5] [,DATE=n6] [,HC=n7]
[,SVA=n8] [,SDL=n9]

UPSI=n1 Sets the bit configuration of the UPSI byte in the communications region. n1 consists of one to eight digits, either 0, 1, or X. Positions containing 0 are set to 0; positions containing 1 are set to 1; positions containing X are unchanged. Unspecified rightmost positions are assumed to be X.

LINECT=n2 Sets the standard number of lines to be printed on each page of SYSLST. n2 is an integer between 30 and 99.

RCLST=n3 n3 is a decimal number indicating the minimum number of records remaining to be written on SYSLST when assigned to disk before a warning is issued to the operator that the capacity of the extent is near. It may be any decimal number from 100 through 65535.

Note: This warning is issued only between jobs. If the extent limits are exceeded before the job, this job is terminated.

If no value is given, the system sets RCLST equal to the value specified in the SYSFIL parameter when the system was generated. If no value was specified, the system sets RCLST equal to 1000.

RCPCH=n4 n4 is a decimal number indicating the minimum number of records remaining to be written on SYSPCH when assigned to disk before a warning is issued to the operator that the capacity of the extent is near. It may be any decimal number from 100 through 65535.

Note: This warning is issued only between jobs. If the extent limits are exceeded before the job, this job is terminated.

If no value is given, the system sets RCPCH equal to the value specified in the SYSFIL parameter when the system was generated. If no value was specified, the system sets RCPCH equal to 1000.

RF=n5 Defines to the system the status of the recorder file (IJSYSRC) on SYSREC used by the recovery management support recorder (RMSR) feature. May only be specified after IPL before the first JOB card.

Note that a SET RF command is ignored if it is given for a Model 115 or 125 without software recording.

n5 can be:
YES Indicates that an active recorder file exists. The system opens this file when the first JOB card is encountered.

CREATE Instructs the system to create a recorder file when the first JOB card is encountered.

DATE=n6 Sets the system date permanently to the specified value. The system date in the communications region of each partition is reset to reflect the new value. This subsequently resets the JOB date when a new job is run. n6 can have the following formats:

mm/dd/yy
dd/mm/yy

mm specifies the month; dd specifies the day; yy specifies the year. The format to be used is the format that was selected when the system was generated.

The DATE parameter may only be specified if the TOD clock is not supported in the system or if the clock is not operational.

HC=n7 Defines to the system the status of the hard-copy file (IJSYSCN) on SYSREC, used to produce hard copy of text that appears on the screen of the display operator console. Each line written on the screen, either by the system or by the operator, is written into IJSYSCN.

n7 can have the following values:

{ YES
NO
CREATE }

YES Indicates that a hard-copy file exists in the system and is opened as soon as the first JOB statement is read.

NC Indicates that no recording is to be performed on the hard-copy file.

CREATE Instructs the system to create a hard-copy file; the file is created and opened as soon as the first JOB statement is read.

SVA=n8 Allows the user to change the SVA allocation specified at supervisor generation time. The format of n8 is (nK,nK). The first parameter specifies the size of the SVA (shared virtual area), including the SDL (system directory list), and the system GETVIS area. This size should be an even value and at least 64K. The second parameter specifies the size of the system GETVIS area. This size should be a multiple of 2K and smaller than the size of the SVA. SET SVA may only be specified as the first statement after IPL (or as the first statement of the first procedure).

If SET SVA was specified with values different from the parameters in the VSTAB macro of supervisor generation, then the message 1T00A WARM START COPY OF SVA FOUND will not be issued at the next IPL.

SDL=n9 The specification of n9 is CREATE, which causes job control to build a system directory list in the SVA. It can also make it possible to load phases into the SVA. SET SDL may only be specified after SET SVA or as the first statement after IPL. SET SDL will not be accepted in a single-partition system.

To build the SDL, job control reads the phasenames that should go into the SDL. These should be specified in subsequent statements each having the following format:

phasename[,SVA]

in which SVA indicates that the phase is to be placed in the shared virtual area if the phase is SVA-eligible. Each entry is 34 bytes long and a maximum of 32K bytes can be entered into the SDL. For best performance however, place no more than 58 entries into

the SDL; this corresponds to an SDL of one 2K page. When 32K bytes are exceeded, no more phasenames are accepted and a message is issued to the operator. The last of the phasenames is indicated when a /* statement is encountered. The SET SDL command, phasenames, and /* can be placed in a procedure. Refer to DOS/VS System Generation, GC33-5377, for details on the IBM SDL procedures distributed with the system.

If the requested phase is not present in the system core image library, a dummy entry is created that is filled when the specific phase is cataloged.

SETDF

The SETDF command allows the operator to set and/or reset default values for the IBM 3800 Printing Subsystem. The command is valid only for a 3800. The following values can be defaulted:

- One character arrangement table
- The forms control buffer name
- The forms overlay name
- The paper forms identifier
- The copy modification name
- Bursting or continuous forms stacking
- The setting of all hardware defaults with one command

For further information on the 3800 and on the various ways that you can use its defaults, see the DOS/VS IBM 3800 Printing Subsystem Programmer's Guide, GC26-3900.

The length of the SETDF operator command is limited to one line of 71 characters. However, defaults are retained from one command to another unless "keyword=" is coded to reset to the hardware default (that is, if CHARS is set by one command and the next command sets FCB, then both are now set). To reset all defaults, the operator specifies RESET. Coding "keyword=" for an individual parameter resets only the default represented by that keyword.

Issuing the SETDF command does not change the settings of the 3800. Instead, the parameters are saved such that when a user specifies DFLT=Y or keyword=* in a SETPRT job control statement or SETPRT macro, the SETPRT routine sets the predefined defaults.

If a list of the default settings for the 3800 is desired, the operator specifies SETDF with the LIST keyword. Except for BURST, which is always Y or N, the values for the parameters will be printed as blanks if the default is the hardware default for the 3800.

AR Format

```
SETDF { 3800 }
      { cuu }
      { X'cuu' } [ ,BURST=[ {Y} ] ]
                  [ ,CHARS=[table name]]
                  [ ,FCB=[ fcb name]]
                  [ ,FLASH=[overlay name]]
                  [ ,FORMS=[forms name]]
                  [ ,LIST]
                  [ ,MODIFY=[copymod name]]
                  [ ,RESET]
```

3800 specifies that all 3800 printers will be set with the specified default values of SETDF, or (if LIST is specified) the defaults will be displayed.

cuu specifies the channel and unit number of the 3800 whose default values are to be set or displayed by SETDF.
X'cuu'

BURST Burster-Trimmed-Stacker default.

Y specifies that the printed output is to be burst into separate sheets with the edges trimmed.

N specifies that the printed output is to be in continuous fanfold mode.

If BURST has not been specified since the system was initialized, BURST=N is assumed. If the keyword is coded as "BURST=" then no change in the threading of the forms is requested.

CHARS Character arrangement table default.

table name specifies the 1- to 4-character name of the default character arrangement table (not including the system-assigned prefix XTb1 of the phase name). Only the first character arrangement table can be defaulted; multiple table names are not allowed.

If the keyword is coded as "CHARS=" then the default for CHARS is reset to the hardware default Gothic-10 folded table.

FCB Forms control buffer default.

fcb name specifies the 1- to 4-character name of the default FCB (not including the system-assigned prefix FCB1).

If the keyword is coded as "FCB=" then the default for FCB is reset to the hardware default FCB.

FLASH Forms overlay default.

overlay name specifies the 1- to 4-alphanumeric character name of the forms overlay frame to be used as the default.

If the keyword is coded as "FLASH=" then the default is that no flashing is done.

FORMS Paper forms default.

forms name specifies the 1- to 4-alphanumeric character name of the forms to be used.

If the keyword is coded as "FORMS=" then the operator is requested to load the forms named STANDARD when the default is needed.

LIST List the 3800 printer default settings.

The LIST keyword specifies that the established default settings be displayed at the operator console. If blanks are shown for the value of a displayed keyword, this indicates the hardware default (with the exception of the BURST keyword). The default for BURST is indicated by an N.

MODIFY Copy modification default.

copymod name specifies the 1- to 4-character name of the copy modification phase (not including the system-

assigned prefix MOD1) to be loaded from the core image library into the 3800.

If the keyword is coded as "MODIFY=" then the default is that no copy modification is done.

RESET Reset the 3800 printer default settings.

The RESET keyword sets all keywords to the hardware defaults, which are: BURST=N; a Gothic 10-pitch folded character arrangement table; a 6-lines-per-inch FCB with channel-1 code on the first printable line, no other channel codes, and the forms length determined by the paper loaded; no forms overlay flashing; no specific forms requested; and no copy modification done.

SETPRT

The SETPRT job control statement or command can be used to set the IBM 3800 Printing Subsystem with user-specified values. These values are reset at the end of the current job to the installation's default values as specified in the SETDF attention routine command, or to the hardware defaults if SETDF has not been issued. For more information on the 3800 and its use, see the DOS/VS IBM 3800 Printing Subsystem Programmer's Guide, GC26-3900.

Note that the SETPRT job control statement or command uses the SETPRT macro as the interface between job control and the 3800. Usually you, as the user, need not be aware of this. However, if you want more information on SETPRT, such as the order in which the routine processes the various parameters, see the Programmer's Guide cited above.

For the SETPRT statement or command, continuation lines are supported. Column 72 must contain a nonblank character, and either the columns between the last comma and the nonblank character must be blank, or the character string must extend into column 71 to be continued on the next line. The continuation line must start in column 16. You can use one or two continuation lines (that is, a maximum of three lines for the SETPRT statement or command).

Of the SETPRT parameters shown below, SYSxxx is always required and at least one additional parameter must be specified.

JCS Format and JCC Format

```
[/] SETPRT SYSxxx
(blank
for
JCC)
(See Note 1)
```

[,BURST= { N }
 { Y }
 { * }

[,CHARS= { table name
 (table name, ...,)
 * }

[,COPIES=n]

[,DCHK= { B }
 { U }

[,DEBUG= { NORM }
 { TERM }
 { DUMP }
 { TRAC }

[,DFLT= { N }
 { Y }

[,FCB= { fcb name
 (fcb name, V)
 (*, V)
 * }

[,FLASH= { overlay name
 (overlay name
 [, { count | 255 }])
 (, count)
 (* [, { count | 255 }])
 * }

[,FORMS= { forms name }
 { * }

[,INIT= { N }
 { Y }

[,MODIFY= { copymod name }
 { (copymod name ,
 table name)
 * }

[,SEP=0]

[,TRC= { N }
 { Y }

Note 1: Presence or absence of the two slashes has no significance as to the permanence of the buffer values set in the 3800; they are reset to system default values at end-of-job (/&) time.

SYSxxx	<p>Logical unit identifier for the 3800 printer to be set up. This parameter is always required. SYSxxx can be SYSLST, SYSLOG, or SYSnnn. The logical unit must have been previously assigned to a 3800.</p>	n	<p>specifies the number of copies of each page to be reproduced before printing the next page. It can be a value from 1 to 255.</p>
BURST	<p>Forms bursting request.</p>		<p>If the COPIES parameter is omitted, the number of copies is not changed unless INIT=Y is coded.</p>
Y	<p>specifies that the operator should thread the forms through the Burster-Trimmed-Stacker.</p>	DCHK	<p>Block or unblock data check indicator.</p>
N	<p>specifies that the operator should thread the forms to the continuous forms stacker.</p>	B	<p>specifies that data checks are to be blocked. This means that unprintable characters in the data transmitted to the 3800 are printed as blanks.</p>
*	<p>specifies that the system default BURST setting is requested.</p> <p>If the BURST parameter is omitted, no change to the threading is requested.</p>	U	<p>specifies that data checks are allowed (unblocked).</p>
CHARS	<p>Character arrangement table names.</p>		<p>If DCHK is omitted, data checks are blocked. The blocking of data checks is also controlled by the program through IOCS. The effect of DCHK in the SETPRT job control statement may be transient, depending on the application programs executed later. It is also affected by the UCS parameter on the DTFPR macro.</p>
	<p>table name specifies the 1- to 4-character name of the character arrangement table (not including the system-assigned prefix, XTB1, of the phase name). Up to four names, separated by commas and enclosed in parentheses, can be specified. However, see Note 2. Embedded null values, such as CHARS=(AA,,BB) or CHARS=(,AA), are not allowed. For the names of the IBM-supplied character arrangement tables, see Appendix B of the <u>DOS/VS IBM 3800 Printing Subsystem Programmer's Guide, GC26-3900</u>.</p>	DEBUG	<p>Problem isolation and determination.</p>
*	<p>specifies the system default character arrangement table is requested. If * is specified, multiple table names are not allowed. If the operator has not specified a default for CHARS, the hardware default Gothic-10 folded table is used.</p> <p>If the CHARS parameter is omitted, the character arrangement table is not changed unless INIT=Y is coded.</p>	NORM	<p>sets a return code in register 15 and returns to the caller on any exit from the SETPRT routines. This is in effect if DEBUG is omitted from all preceding SETPRTs in the job.</p>
		TERM	<p>sets a return code in register 15 and issues the CANCEL macro to terminate the activity, for return codes higher than 4. For return codes 0 and 4, TERM has the same effect as NORM.</p>
		DUMP	<p>sets a return code in register 15 and cancels the job with a dump, for a return code higher than 4.</p>
		TRAC	<p>dynamically traces, on SYSLST, the activity of the SETPRT routines and then cancels the job with a dump if the SETPRT return code is greater than 4. Tracing requires 12K of GETVIS space.</p>
COPIES	<p>Number of copies in the only copy group.</p>		

MODIFY Copy modification information.

copymod name
 specifies the 1- to 4-character name of the copy modification phase (excluding the system-assigned prefix MOD1) that was assigned when the phase was built.

table name
 specifies the 1- to 4-character name of the character arrangement table to be used when printing the copy modification text. This character arrangement table need not be one of those specified with the CHARS parameter. However, see Note 2. If table name is omitted, the first character arrangement table specified with the CHARS parameter (or the default, if none is specified) is used.

* requests the system default copy modification. If the operator has not specified a MODIFY default, any existing copy modification is eliminated.

If the MODIFY parameter is omitted, then the currently-loaded copy modification phase is used, unless INIT=Y is also coded.

SEP Data set separation information.

0 indicates that, if the Burster-Trimmed-Stacker is being used, the 3800 should offset-stack the pages that follow from the pages that were previously transmitted. If the continuous forms stacker is being used, the 3800 changes the marking on the perforation

edge from one line to two lines or vice versa.

Omission of the SEP parameter indicates that no data set separation is required.

TRC Table reference character indicator.

N indicates that for any DTFPR or DTFDI opened after this SETPRT, data lines do not contain table reference characters unless specified in the DTF macro. The table reference character will not be prefixed to each data line when presented to the access method.

Y indicates that the first character of each output data line (after the optional print control character) given to the access method is a table reference character. This applies only to the issuance of PUT macros with DTFPR or DTFDI. The DTF must be opened.

Note 2: The total number of character sets referenced by character arrangement tables in both the CHARS and MODIFY parameters cannot exceed the number of writable character generation modules (WCGMs) available on the 3800 (either two or four). If a character set is referenced by multiple character arrangement tables and graphic character modification is not used, then only one copy of that character set is loaded into the 3800. If a character set is referenced by two character arrangement tables and one is modified by graphic character modification and the other is not, then two character sets are loaded.

START

The START command (Start or Continue Processing) can be used to activate or continue processing in, the specified partition. The function of the START command is exactly the same as that of the BATCH command.

AR Format

START $\left[\begin{array}{c} \text{BG} \\ \text{Fn} \end{array} \right]$

BG Job control reads the next control statement from SYSLOG.

Fn Specifies the foreground partition that is to be activated or re-started after having been stopped by a STOP command.
See also the BATCH command.

STOP

The STOP command (Stop Processing) indicates that there are no more jobs to be executed in the partition in which the command is given. It cannot be used in a single-partition system.

JCC Format

STOP

This command removes the partition from the system's task selection mechanism, but the partition remains active. Job control remains in the partition and can be restarted by the START or BATCH attention routine command.

Notes:

1. It may sometimes be advisable to use a STOP command instead of a PAUSE command. The PAUSE command issues a

DFLT	Establishes printer defaults.		
Y	specifies that the printer is to be set with the defaults that were specified by the operator in the SETDF command. It is equivalent to coding * for each of the parameters BURST, CHARS, FCB, FLASH, FORMS, and MODIFY that are not specified.		forms overlay frame is mounted or remains mounted but is not flashed. A specification of FLASH=(,n) means to flash the current forms overlay frame for n copies. If no count is specified, all copies are flashed.
N	is the default specification for this keyword and does not establish 3800 default setup.		* requests the system default forms overlay. If the operator has not specified a default, no flashing occurs.
FCB	Forms control buffer information.	FORMS	Paper forms request.
fcf name	specifies the 1- to 4-character name of the FCB (not including the system-assigned prefix, FCB1, of its phase name). The length of the form defined by FCB must match the length of the form loaded in the 3800, as specified with the FORMS parameter.	forms name	is the 1- to 4-alphanumeric character forms identifier. If the specified forms are not already loaded, a message to the operator requests the specified forms. If the new form has a length different from the previous form and a new FCB is not specified, the 3800 loads the hardware default FCB. This can cause erroneous results later. To avoid this problem, specify a new FCB when loading forms of a new length.
V	requests FCB verification. The FCB contents are formatted and printed on the 3800. Data checks are blocked and translate table zero is used for printing the FCB verification page.	*	requests the system default forms. If the operator has not specified a FORMS default, form "STANDARD" is requested.
*	The system default FCB is requested. If the operator has not specified a default FCB, the hardware default FCB is 6 lines per inch with a channel-1 code defined on the first printable line, and the length set equal to that of the form currently loaded.	INIT	Initializing the printer request.
	If the FCB parameter is omitted, the FCB is not changed unless INIT=Y is coded.	Y	specifies that the printer be reset to hardware defaults of a 6-lines-per-inch FCB with channel-1 code in the first printable line, a Gothic-10 folded character arrangement table, one copy, and no flashing of forms overlays. Copy modification is cleared. The burster threading, forms, and blocking or unblocking of data checks are not changed. If TRC=Y is not also coded, then lines written to DTFs opened after this SETPRT should not contain table reference characters unless specified in the DTF macro. The TRC indicators in any open DTFs are not changed. (Any of these actions can be overridden with other keywords.)
FLASH	Forms overlay flashing request.	N	is the default and does not reset the 3800 to hardware defaults.
overlay name	is the 1- to 4-alphanumeric character name of the forms overlay frame that the operator will be requested to insert in the 3800.		
count	is the number (from 0 to 255) of copies to be flashed with the overlay, beginning with the first copy of the first transmission. If 0 is specified, the specified		

- read to SYSLOG, tying it up until the operator responds.
- The STOP command can be used instead of the combination of HOLD and UNBATCH commands.

TLBL

The TLBL (Tape Label Information) statement replaces the VOL and TPLAB statement combination. It contains file label information for tape label checking and writing. (Programming support for the previous VOL and TPLAB combinations continues.) The TLBL statement may be used with both EBCDIC and ASCII files. For ASCII file processing, the fourth and fifth operands are called set identifier and file section number, respectively. For detailed information about TLBL refer to DOS/VS Tape Labels, GC33-5374.

JCS Format for EBCDIC Files

```
// TLBL filename,['file-id'],[date],
           [file-serial-number],
           [volume-sequence-number],
           [file-sequence-number],
           [generation-number],
           [version-number]
```

JCS Format for ASCII Files

```
// TLBL filename,['file-id'],[date],
           [set-identifier],
           [file-section-number],
           [file-sequence-number],
           [generation-number],
           [version-number]
```

filename

This can be from one to seven alphameric characters, the first of which must be alphabetic. This unique filename is identical to the symbolic name of the program DTF that identifies the file.

'file-ID'

One to seventeen alphameric characters, contained within apostrophes, indicating the unique name associated with the file on the volume. This operand may contain embedded blanks. On output files, if this operand is omitted, "filename" is used. On input files, if the operand is omitted, no checking will be done.

date

Output Files: A retention period in the format d through dddd (0-9999) or yy/ddd (yy=0-99, ddd=1-365) can be specified. If omitted, a 0 retention period is assumed. The current system date is always used as the creation date for output files.

Input Files: A four to six numeric character creation date in the format yy/ddd (99/365) can be specified (ddd can be from 1-365). If omitted or a retention date is specified, no checking is done for input files.

file serial number (EBCDIC) or set identifier (ASCII)

One to six alphameric characters indicating the volume serial number of the first (or only) reel of the file. All six characters must be specified for ASCII files. For EBCDIC files, if fewer than six characters are specified, the field is right justified and padded with zeros. If this operand is omitted on output, the volume serial number of the first (or only) reel of the file is used. If the operand is omitted on input, no checking is done.

volume sequence number (EBCDIC) or file section number (ASCII)

One to four numeric characters in ascending order for each volume of a multiple volume file. This number is incremented automatically by OPEN/CLOSE routines as required. If this operand is omitted on output, BCD 0001 is used. If omitted on input, no checking is done.

file sequence number

One to four numeric characters in ascending order for each file of a multiple file volume. This number is incremented automatically by OPEN/CLOSE routines as required. If omitted on output, BCD 0001 is used. If omitted on input, no checking is done.

generation number

One to four numeric characters that modify the file ID. If omitted on output, BCD 0001 is used. If omitted on input, no checking is done.

version number

One or two numeric characters that modify the generation number. If omitted on output, BCD 01 is used for EBCDIC files, and BCD 00 for ASCII files. If omitted on input, no checking is done.

TPBAL

The TPBAL (Teleprocessing Balancing) command allows the operator to display the status of the TP Balancing function, or to change that status.

AR Format

TPBAL

This format of the TPBAL command displays, on the device assigned to SYSLOG, the present status of the TP Balancing function. It indicates what partitions are currently being affected by the function.

TPBAL n

This format of the command alters the status of the TP Balancing function. The operand specifies the number of partitions in which processing can be delayed (always those partitions that have the lowest priorities). The system responds by displaying the partitions that will be affected under the new status. A specification of zero renders the function inoperative. The maximum number that can be specified is the number of partitions in the system minus one.

TPLAB

The TPLAB (Tape Label Information) statement, which can be used for both EBCDIC and ASCII files, contains file label information for tape label checking and writing. It must immediately follow a volume (VOL) statement. The TPLAB statement contains an image of a portion of the standard tape file label. Label fields 3-10 are always included just as they appear in the label. These are the only fields used for label checking. The additional fields (3-13) can be included, if desired. Field 12 (block count) always defaults to zeros. If specified for an output file, they are written in the corresponding fields of the output label. They are ignored when used for an input file. DOS/VS Tape Labels, GC33-5374, contains additional information about TPLAB.

For the TPLAB statement, continuation cards are supported. The character string must extend into column 71, a continuation character (any character) is present in column 72, and the character string is completed on the next line. The continuation line starts in column 16.

JCS Format

```
// TPLAB {'label-fields 3-10'}  
          {'label fields 3-13'}
```

'label fields 3-10'

This is a 49-byte character string, included within apostrophes (8-5 punch), identical to positions 5-53 of the tape file label. These fields can be included on one card or line.

'label fields 3-13'

This is a 69-byte character string, included within apostrophes (8-5 punch), identical to positions 5-73 of the tape file label. These fields are too long to be included on a single card or line.

UCS

The UCS command (Load Universal Character Set Buffer) causes the 240-character Universal Character Set contained in the system core image library phase specified by phasename to be loaded as buffer storage in the IBM 2821 Control Unit. The 240 EBCDIC characters correspond to the 240 print positions on 1403 chains and trains. A character sent to the printer for printing is matched against the characters in the UCS buffer. When a match occurs, the corresponding chain/train character is printed in the print-line position that the output character occupied. Thus, through the UCS buffer and the many chains/trains available, the 1403 Printer can be adapted to many variable printing applications.

The logical unit must be assigned to an IBM 1403 Printer with the UCS feature. It is the user's responsibility to assemble, link-edit, and catalog his UCS buffer phases into the system core image library, and to mount the new chain or train before the UCS command is executed. The UCS command is not logged on SYSLSST. Refer to example below and to the DOS/VS System Generation manual for information on IBM-supplied coded samples.

JCC Format

UCS SYSxxx, phasename[, FOLD] [, BLOCK]
[, NULMSG]

SYSxxx The name of the logical unit assigned to a 1403 UCS printer to be loaded.

phasename
| The symbolic name of the system core image library phase containing the 240 EBCDIC characters to be loaded, followed by an 80-character verification message. Each phase may have any valid phasename.

FOLD Signifies that the buffer is to be loaded with the folding operation code in the CCW to permit printing either uppercase or lowercase bit configurations.

BLOCK Signifies that the 2821 latch is to be set to inhibit data checks

generated by the 1403 UCS Printer because of print line character mismatches with the UCS buffer.

NULMSG Signifies that the 80-character verification message is not to be printed on the 1403 after the buffer is loaded. If this parameter is not specified after the UCS buffer has been loaded, the program skips to channel 1, issues a print of the last 80 characters in the phase specified by the first parameter, and again skips to channel 1. This is to identify the phase, if the phasename is incorporated in the verification message. If a chain/train can be identified by a unique character, this message can also be used to verify that the mounted chain or train is compatible with the UCS buffer contents, by including this unique character in the verification message.

Catalog UCS Buffer Images and Load Buffer Example

```

// JOB UCSLOAD
* ASSEMBLE AND CATALOG TO CORE IMAGE LIBRARY PHASES FOR HN AND RN
* ARRANGEMENTS FOR USE WITH UNIVERSAL CHARACTER SET BUFFER LOAD
// OPTION CATAL,NOSYM,NOXREF
1. ACTION CANCEL
   PHASE UCSHN,*,NOAUTO
// EXEC ASSEMBLY
   START 0
   DC      C'1234567890=''/STUVWXYZ&&&, (JKLMNCPQR-$*ABCFGHI+.)'
   DC      C'1234567890=''/STUVWXYZ&&&, (JKLMNCPQR-$*ABCFGHI+.)'
   DC      C'1234567890=''/STUVWXYZ&&&, (JKLMNCPQR-$*ABCFGHI+.)'
   DC      C'1234567890=''/STUVWXYZ&&&, (JKLMNCPQR-$*ABCFGHI+.)'
   DC      C'1234567890=''/STUVWXYZ&&&, (JKLMNCPQR-$*ABCFGHI+.)'
   DC      C'1234567890=''/STUVWXYZ&&&, (JKLMNCPQR-$*ABCFGHI+.)'
   DC      CL43'HN ARRANGEMENT TYPE IF EQUAL SIGN ='
   DC      40C' '
   END

3. // EXEC LNKEDT
   ACTION CANCEL
   PHASE UCSRN,*,NOAUTO
4. // EXEC ASSEMBLY
   START 0
   DC      C'1234567890XY/STUVW' '@$*,=JKLMNCPQR-Z(ABCFGHI+.)'
   DC      C'1234567890XY/STUVW%@$*,=JKLMNCPQR-Z(ABCFGHI+.)'
   DC      C'1234567890XY/STUVW#@$*,=JKLMNCPQR-Z(ABCFGHI+.)'
   DC      C'1234567890XY/STUVW<@$*,=JKLMNCPQR-Z(ABCFGHI+.)'
   DC      C'1234567890XY/STUVW&&&@$*,=JKLMNCPQR-Z(ABCFGHI+.)'
   DC      CL40'RN ARRANGEMENT TYPE IF POUND SIGN #'
   DC      40C' '
   END

/*
// EXEC LNKEDT
/6
5. // PAUSE MOUNT HN TRAIN
6. UCS SYSLST,UCSHN,FOLD,BLOCK

```

Explanation for UCS Buffer Load Example

This example shows the assembly, linkage edit and catalog of UCS buffer phases to the core image library. The buffer is then loaded.

Statement 1: The usual rules for setting up a catalog operation using the output of a language translator are followed. See OPTION and PHASE statements. ACTION CANCEL is used, because no cataloging should occur if any statement errors exist.

Statement 2: The Assembler prepares a relocatable module for the printer image data that follows on SYSIPT. Output is written on SYSLNK.

Note: The use of two ampersands and two apostrophes to cause acceptance of those characters in the string.

The characters are submitted in the same sequence in which they occur on the train/chain. The standard arrangements are given in the manual IBM 2821 Control Unit, GA24-3312). An 80-character message

follows the 240-character printer image. The /* signifies the end of the data.

Statement 3: The EXEC LNKEDT statement link edits and catalogs the phase to the core image library.

Statement 4: Assuming no errors in the previous assembly, OPTION CATAL is still in effect. The linkage edit control statements that pertain to the next buffer arrangement are read, and the cycle is repeated.

Statement 5: The PAUSE statement stops the system so that the proper chain/train can be mounted.

Statement 6: Now that the buffer images are in the core image library, they can be loaded by the UCS job control command.

In this example the HN chain/train arrangement represented by UCSHN is loaded into the UCS buffer for the printer represented by SYSLST, which is X'00E' in the assumed configuration. Of course, the printer must be equipped with the UCS feature.

The fold option is specified so that any lowercase letters will print as uppercase letters. This is necessary if lowercase codes are expected, because the HN arrangement has only uppercase letters.

Otherwise, these lowercase letters can find no matching code in the buffer and cannot print. The BLOCK parameter permits any code not represented in the UCS buffer to print as a blank without causing a data-check stop. If BLOCK is not specified, any unmatched code causes a data check. Remember that the blocking of data checks is also controlled by the programmer through logical IOCS. Hence, the effect of this parameter may be transient, depending on the processing programs coming up in the job stream. A verification message will print, since NULMSG is not specified.

UNBATCH

The UNBATCH command terminates foreground processing and releases the partition (making it inactive). It also resets all assignments of the partition to UA, except those for SYSLOG, SYSRES, SYSREC, SYSVIS, and SYSCAT. See the HOLD command if assignments are not to be reset. UNBATCH also permits to reduce storage allocation for the partition.

Following the UNBATCH command, the attention routine accepts BATCH or START commands for the affected partition.

Restrictions:

UNBATCH is accepted only:

- from foreground partitions not controlled by POWER/VS.
- from SYSLOG - you can gain control of SYSLOG following a PAUSE or STOP command or a // PAUSE statement.
- when no job is active in the partition, that is, after a /& statement has been processed.
- when all tape or disk files assigned to system logical units have been closed.

JCC Format

UNBATCH

UPSI

The UPSI (User Program Switch Indicators) statement allows you to set program switches that can be tested. It has the following format.

JCS Format

// UPSI nnnnnnnn

The operand consists of one to eight characters of 0, 1, or X. Positions containing 0 are set to 0. Positions containing 1 are set to 1. Positions containing X are unchanged. Unspecified rightmost positions are assumed to be X.

Job control clears the UPSI byte to zeros before reading control statements for each job. When job control reads the UPSI statement, it sets or ignores the bits of the UPSI byte in the communication region. Left to right in the UPSI statement, the digits correspond to bits 0 through 7 in the UPSI byte. Any combination of the eight bits can be tested by problem programs at execution time.

VOL

The VOL statement (Volume Information) is used when standard labels for a DASD or tape file are checked unless the DLBL or TLBL statements are used. A VOL statement must be used for each file on a multifile volume (when the DLAB or TPLAB statements are used). The VOL, TPLAB or VOL, DLAB, XTENT statements must appear in that order and must immediately precede the EXEC command or statement to which they apply.

The VOL statement, in combination with the DLAB and XTENT statements, should not be used to supply label and extent information for the 3330/3333, 3340, or 3350.

JCS Format

// VOL SYSxxx, filename

SYSxxx Symbolic unit name. The symbolic unit name is taken from the XTENT statement.

filename

This can be from one to seven alphanumeric characters, the first of which must be alphabetic. This unique filename is identical to the symbolic name of the program DTF that identifies the file.

XTENT

The XTENT statement (DASD Extent Information) defines each area, or extent, of a DASD file. One or more XTENT statements must follow each DLAB statement.

The XTENT statement, in combination with the DLAB and VOL statement, should not be used to supply label and extent information for the 3330/3333, 3340, or 3350. The XTENT statement cannot be used for VSAM files.

JCS Format

// XTENT type,sequence,lower,upper,
'serial no.',SYSxxx[B₂]

type Extent Type. One or three
columns, containing:

- 1 = data area (no split
cylinder)
- 2 = overflow area (for indexed
sequential file)
- 4 = index area (for indexed
sequential file)
- 128 = data area (split cylinder).
If type 128 is specified,
the lower head is assumed to
be H₁H₂H₂ in lower, and the
upper head H₁H₂H₂ in upper.

sequence

Extent Sequence Number. One to
three columns, containing a
decimal number from 0 to 255,
indicating the sequence number of
this extent within a multiextent
file. Extent sequence 0 is used
for the master index of an indexed
sequential file. If the master
index is not used, the first
extent of an indexed sequential
file has sequence number 1. The
extent sequence for all other
types of files begins with 0.

lower Lower Limit of Extent. Nine
columns, containing the lowest
address of the extent in the form
B₁C₁C₁C₂C₂C₂H₁H₂H₂, where:

B₁ = initially assigned cell
number.

0 for disk
0 to 9 for data cell

C₁C₁ = subcell number.

00 for disk
00 to 19 for data cell

C₂C₂C₂ = cylinder number.

000 to 199 for disk

or

strip number:

000 to 009 for data cell

H₁ = head block position.

0 for disk
0 to 4 for data cell

H₂H₂ = head number

00 to 09 for 2311

00 to 19 for 2321, 2314, 2319

Although a part of the address
(such as B₁ or C₂C₂C₂) can be
zero, a lower extent of all zeros
is invalid.

Note: The last four strips of
subcell 19 are reserved for
alternate tracks for 2321.

upper Upper Limit of Extent. Nine
columns containing the highest
address of the extent, in the same
form as the lower limit.

'serial no.'
Volume Serial Number. This is a
six-byte alphanumeric character
string, contained within
apostrophes. The number is the
same as in the volume label
(volume serial number) and the
Format 1 label (file serial
number).

SYSxxx This is the symbolic address of
the DASD drive.

B₂ Currently assigned cell number.

0 for disk
0-9 for data cell

This field is optional. If
missing, job control assigns
B₁=B₂.

ZONE

The ZONE statement initializes the value of
the job zone field in the partition
communication region (bytes 94 and 95). If
no ZONE statement is supplied, job control
supplies the zone given in the system zone
field in the communication region extension
(bytes 68 and 69). If no DATE statement is
supplied, the job date is updated by means
of the values given in the system date
field and in the ZONE statement.

Locations that are on Greenwich Mean
Time need not specify the ZONE statement or
can specify

// ZONE EAST/00/00 or
// ZONE WEST/00/00

JCS Format

// ZONE {EAST} /hh/mm
 {WEST}

EAST A geographical position east of Greenwich.

WEST A geographical position west of Greenwich.

hh/mm A decimal value that indicates the difference in hours and minutes between local time and Greenwich Mean Time. hh may be in the range 00-12, mm in the range 00-59.

This statement is only accepted if time-of-day clock support is included in the system. Otherwise, the message 1S0ND INVALID STATEMENT appears on SYSLOG and SYSLST.

/+ -- End-of-Procedure

The End-of-Procedure statement is /+, unless you specify a different end-of-procedure statement as indicated in the EOP parameter of the CATALP statement. This statement is valid only for cataloged procedures and must be the last statement of each procedure to be cataloged. (For information on the EOP parameter, refer to the CATALP statement in the section Procedure Library: Maintenance and Service Programs.)

JCS Format

/+ [comment]

Columns 1 and 2 contain a slash (/) and a plus (+). Column 3 must be blank.

As a special delimiter statement, /+ is neither logged nor listed when retrieving a cataloged procedure for inclusion in the job input stream. Instead, the following message appears:

EOP procedurename

The /+ statement is punched and/or listed only when a procedure is processed by the PSERV program.

/* -- End-of-Data File

The End-of-Data File statement must be the last statement of each input data file on SYSRDR and SYSIPT.

JCS Format

/*

Columns 1 and 2 contain a slash (/) and an asterisk (*). Column 3 must be blank. /*

causes the channel scheduler to post the end-of-file indicator in the user's CCB. Logical IOCS also recognizes /* when a card reader is assigned to the symbolic units SYS000-SYSnnn.

Note: For an input file on an IBM 5425 MFCU, the /* card must be followed by a blank card.

/& -- End-of-Job

This End-of-Job statement must be the last statement of each job.

JCS Format

/& [comments]

Columns 1 and 2 contain a slash (/) and an ampersand (&) (12-punch). Column 3 must be blank. Upon occurrence of /&, the channel scheduler posts an end-of-file indicator in the user's CCB. If the user attempts to read past the /& on SYSRDR or SYSIPT, the job is terminated. Any comments can begin in column 14 and are printed at end of job. If a job updates a system directory, comments included on the /& statement are not printed.

If time-of-day clock support is provided, the end-of-job statement is printed on SYSLST in the following format: columns 1-3 contain ECJ, columns 5-12 the job name columns 14-72 blanks or any user comments, and columns 73-118 the date, time-of-day, and job duration in the following format:

DATE mm/dd/yy,CLOCK hh/mm/ss,
DURATION hh/mm/ss

On SYSLOG, the date, time of day, and job duration (the amount of time elapsed between the start and the end of a job) appear in the same format, occupying 46 positions, on the line following the end-of-job statement.

If time-of-day clock support is part of your system, the zone and date values are reset every time this statement is encountered.

Note: The stop time that the job accounting routines stores in byte 40 of the Job Accounting Table is calculated from the values in storage locations 80 and 84.

End-of-job information is not printed on SYSLST if // OPTION NOLOG has been specified. (The NOLOG statement itself is logged on SYSLST).

* -- Comments

This statement can be used as a job control comments statement.

JCS Format

* any user comments

Column 1 contains an asterisk. Column 2 is blank. The remainder of the statement (through column 72) contains any user comments. The content of the comment statement is printed on SYSLOG. If followed by a PAUSE statement, the statement can be used to request operator action.

JOB CONTROL STATEMENT EXAMPLES

Figure 7 contains six examples of job control statement input. In the discussion that follows, each point corresponds to the number at the left of the two slashes in the job control statements. The PHASE, INCLUDE, and ENTRY statements are linkage editor control statements. These statements are described in detail in the section Linkage Editor. They are included in this discussion to present a more meaningful example.

1. JOB statement for first example.
2. ASSGN statement for the disk with volume serial number 231402.
3. DLBL and EXTENT statements to define ISAM file to be created.
4. EXEC statement for a program in the system core image library to be executed in virtual mode.
5. End-of-job indicator. All temporary symbolic unit assignments reset to the permanent assigns.
6. JOB statement for example 2.
7. ASSGN statements for 3330 disks and tape.
8. DLBL and EXTENT statements to define a sequential disk file with two extents on separate 3330 volumes.
9. EXEC statement for a program in the system core image library that is to be executed in REAL mode, using 60K of the real storage allocated to BGR.
10. MTC (Magnetic Tape Command) to rewind and unload the tape just created.
11. Message to operator concerning the tape.
12. End-of-job indicator.
13. MAP command to print a map of real and virtual storage allocations on SYSLOG.
14. JOB statement for example 3.
15. ASSGN statements to release previous tape assignment, and temporarily assign SYSPCH to that tape.
16. OPTION statement to specify options that are different from those established at System Generation.
17. CATALR statement that will be transferred by Job Control to the SYSPCH file (tape on 381). This tape can then (after creation of the object deck) be used as input to the MAINT program to catalog to the relocatable library.
18. EXEC statement for the system assembler.
19. Source deck as input to the system assembler and /* (end-of-data).
20. MTC commands to write a tapemark and rewind the tape on 381. This tape is now positioned for use as SYSIPT.
21. RESET statement causes SYSPCH to revert to its permanent assignment.
22. Temporary assignment of SYSIPT to tape 381 for use by the librarian program MAINT.
23. EXEC statement for MAINT.
24. MTC command to rewind and unload tape on unit 381.
25. End-of-job indicator with a comment. SYSIPT returns to its permanent assignment.
26. JOB statement for example 4.
27. Permanent assignment of private core image library to 3330 on unit 110.
28. OPTION statement to specify the CATAL function is to take place.
29. PHASE and INCLUDE statements that are input to the linkage editor. The first INCLUDE statement calls the module previously cataloged in the relocatable library and the second (with a blank operand) is followed by an object deck to be included.

30. /* indicates the end of the object deck, not the end of input to the linkage editor.
31. ENTRY statement input to the linkage editor specifying an entry point for the PHASE PROGX03.
32. EXEC statement for the linkage editor.
33. Permanently unassigns the private core image library.
34. End-of-job indicator.
35. JOB statement for example 5.
36. EXEC statement using cataloged procedures. LIBMAINT is a set of JCL

and SYSIPT input in the Procedure Library.

37. End-of-job indicator.
38. JOB statement for example 6.
39. ASSGN statement for SYSLST, which may be any printer.
40. SYS004 should be assigned to a tape on X'380', or X'381' (if X'380' is not available), or X'382' (if X'381' is not available).
41. Assign SYS005 to the same unit as SYS004 (described in 40).


```

1 // JOB B79ISF                                LOAD ISAM FILE
2 // ASSGN SYS005,DISK,VOL=231402 ISAM BACKUP MASTER -- PREMOUNTED PACK
  // DLBL LOADIS,'FILE8685',,ISC
  // EXTENT SYS005,231402,4,1,200,20
3 // EXTENT SYS005,231402,1,2,300,360
4 // EXEC IS00F
5 /&

6 // JOB U81SDC                                UNLOAD SEQUENTIAL DISK TO TAPE
  // ASSGN SYS004,X'111'                        INPUT MASTER FILE
7 // ASSGN SYS005,X'112'                        (2 EXTENTS)
  // ASSGN SYS006,X'380',X'C8'                BACKUP TAPE DUAL DENSITY 9-TRACK
  // DLBL SDUNLD,'SEQUENTIAL FILE',73/206,SD
8 // EXTENT SYS004,333002,1,0,1900,380
  // EXTENT SYS005,333003,1,1,76,570
9 // EXEC SD008,REAL,SIZE=60K                RUN IN REAL USING 60K
10 // MTC RUN,SYS006
11 * OPERATOR - TAPE ON 380 - LABEL, REMOVE RING
  *                                           AND RETURN TO LIBRARY
12 /&
  * CREATE A MAP OF STORAGE ON SYSLOG
13 MAP

14 // JOB R61ASSM                                OBJECT DECK TO TAPE - CATALOG IN
  *                                           RELOCATABLE LIBRARY
  ASSGN SYS012,UA                                CLEAR PREVIOUS TAPE ASSIGN
15 // ASSGN SYSPCH,X'381'                        ASSIGN SYSPCH TO TAPE
16 // OPTION DECK,LIST,XREF,NOEDECK
17 CATALR MOD207
18 // EXEC ASSEMBLY
19 (ASSEMBLER SOURCE HERE)
  /*
20 // MTC WTM,SYSPCH,02                        WRITE TAPEMARK AND
  // MTC REW,SYSPCH                            REWIND SYSPCH TAPE
21 // RESET SYSPCH
22 ASSGN SYSIPT,X'381',TEMP TO READ MODULE PRODUCED ABOVE -- TEMP ASSGN OVERRIDE
23 // EXEC MAINT
24 MTC RUN,X'381' UNLOAD/REWIND SYSIPT
25 /&
  EOJ R61ASSM

26 // JOB K13CATL                                LINK MODULES INTO A
27 ASSGN SYSCLB,X'110'                        PRIVATE CORE IMAGE LIBRARY
28 // OPTION CATAL
  PHASE PROGX03,*
29 INCLUDE MOD207
  INCLUDE
  (OBJECT DECK INCLUDED HERE)
30 /*
31 ENTRY MD207B
32 // EXEC LNKEDT
33 ASSGN SYSCLB,UA
34 /&

35 // JOB E39MANT                                CATALOGED PROCEDURE FOR LIBRARY MAINTENANCE
36 // EXEC PROC=LIBMAINT
37 /&

38 // JOB E40
39 // ASSGN SYSLST,PRINTER                    ASSIGN SYSLST TO ANY PRINTER
40 // ASSGN SYS004,(X'380',X'381',X'382') ASSIGN SYS004 TO A TAPE WITHIN THIS RANGE
41 // ASSGN SYS005,SYS004 ASSIGN SYS005 AS SYS004
  // EXEC MYPROG
  /&

```

Figure 7. Job Control Statement Examples

The following example shows the use of the SETPRT job control statement to set up the 3800 Printing Subsystem which is at address 118:

```
// JOB D63SETP          SET UP 3800 PRINTER
// ASSGN SYS010,X'118'  ASSIGN SYS010 TO 3800 PRINTER
// SETPRT SYS010,BURST=Y,DCHK=B,SEP=0,TRC=Y,FORMS=X,FLASH=(TEST,2),FCB=C
                      (STD6,V),CHARS=(X,XX,XXX,GF12),MODIFY=(CMO1,FM12),
                      COPIES=4
```

/6

The parameters on the SETPRT statement specify:

- BURST=Y specifies that the operator will be asked to thread the forms through the Burster-Trimmed-Stacker.
- DCHK=B specifies that data checks are to be blocked.
- SEP=0 specifies that the burst pages from this job are to be offset in the stacker from those of the previous job.
- TRC=Y specifies that the first character of each output data line (following the optional print control character) is a table reference character.
- FORMS=X specifies that the forms named X are to be used for printing this job.
- FLASH=(TEST,2) specifies that the first 2 copies of each page printed are to be flashed with the forms overlay named TEST.
- FCB=(STD6,V) specifies that the forms control buffer phase named STD6 is to be used, and that the FCB contents are to be formatted and printed for verification by the operator. Note that this parameter extends through to column 71 of the first line of the statement, and is continued beginning in column 16 of the second line. Column 72 of the first line contains the nonblank continuation character C.
- CHARS=(X,XX,XXX,GF12) specifies the names of the four character arrangement tables that are to be loaded into the 3800.
- MODIFY=(CMO1,FM12) specifies that the FM12 character arrangement table, which uses Format 12-pitch characters, is to be used to print the copy modification named CMO1.
- COPIES=4 specifies that 4 copies of each page of the file are to be printed in a group before printing 4 copies of the next page.

Linkage Editor

The linkage editor prepares programs for execution with DOS/VS and accepts as input the relocatable object modules produced by the language translators and object modules produced by the CSERV programs. It processes these modules into program phases, which may be immediately executed or cataloged into the core image library.

Job control calls the linkage editor program when a // EXEC LNKEDT control statement is read. Control is returned to job control when the link edit function is completed, unless the CATAL option was specified, in which case the CATAL function is completed before control is returned to job control.

The linkage editor program can run in either the background or a foreground partition. If it runs in the foreground, you must assign a private core image library (SYSCLB). In the background partition, the linkage editor defaults to the system core image library if no private core image library is assigned. The linkage editor issues a diagnostic message and terminates abnormally when you assign the private core image library across partitions.

If the supervisor supports the relocating loader, you do not need to write a self-relocating program to enable that program to execute in any real or virtual partition. The linkage editor will produce relocatable phases whenever possible. The linkage editor determines whether a phase can be made relocatable by inspecting the origin of the PHASE statement.

The linkage editor control statements direct the program to read an input module(s) and to form phases from the control sections within the modules. The linkage editor relocates the origin of each control section in the phase, checks for duplicate entry names within the phase, assigns each phase an area of storage and a transfer address, and modifies the contents of the address constants in the phase.

The relocation factor for each control section is determined and saved by building a table called the control dictionary. This table contains the linkage editor phase definitions and the module ESD items. When complete, the table provides

sufficient information for determining the location of each control section and for resolving any references between control sections.

The module TXT items are then built into phase blocks. The RLD items (address constants) are modified and inserted into the text. A transfer address is determined for each phase.

Language Translator Modules

The input to the linkage editor consists of object modules and linkage editor control statements. Each module is the output of a complete language translator run. It consists of dictionaries and text for one or more control sections.

The dictionaries contain the information necessary for the linkage editor to resolve references between different modules. The text consists of the actual instructions and data fields of the module.

Six statement types can be produced, by the language translators or by the programmer, to form a module. They appear in the following order:

<u>Stmt Type</u>	<u>Definition</u>
ESD	External symbol dictionary
SYM	Ignored by linkage editor
TXT	Text
RLD	Relocation list dictionary
REP	Replacement to text made by the programmer
END	End of module.

For the format of each of these statements (except SYM), see "Appendix B: Linkage Editor Summary".

The external symbol dictionary contains control section definitions and intermodule references. When the linkage editor has the ESDs from all modules, it can relocate the sections and resolve the references. Six types of entries are defined in the control dictionary.

<u>ESD Type</u>	<u>Definition</u>
SD	Section definition: provides control section name, assembled origin and length. Generated by a named START or a named CSECT in a source module.
WX	Generated by Weak External Reference (WXTRN), which has a function similar to EXTERN, except that WXTRN suppresses AUTOLINK. The linkage editor treats WX as an ER, NOAUTO.
PC	Private code: provides assembled origin and length for an unnamed control section.
LD/LR	Label definition: specifies the assembled address and the associated SD of a label that may be referred to by another module. The LD entry is termed LR (Label Reference) when the entry is matched to an ER entry.
ER	External reference: specifies the location of a reference made to another module. ER is generated by EXTRN or a V-type address constant in a source module.
CM	Common: indicates the amount of storage to be reserved for common use by different phases. CM is generated by COM in a source module.

The relocation list dictionary identifies portions of text that must be modified on relocation (address constants).

When the linkage editor reads a module, it stores ESDs in its control dictionary, writes TXT and REP items in core image blocks in the library, and writes RLD items on an RLD file. Each item that is identified by the language translators with an ESID number is reidentified by the linkage editor with a control dictionary number to avoid duplication between modules. All programs to be executed under DOS/VS must be link-edited and stored in the core image library. The core image library is either on SYSRES (the system core image library) or on SYSCLB (a private core image library). The linkage editor program operates in one of three modes:

- Catalog mode. An object module is link-edited and permanently stored in the core image library. The core image directory for cataloged phases is updated. If the phase is eligible for the shared virtual area and is indicated

as SVA-eligible in the system directory list, the phase is also loaded into the SVA.

- Load and execute mode. An object module is link-edited for temporary storage in the core image library and is immediately executed.
- Assemble and execute mode. A source module is assembled or compiled. The object module (output) is link-edited for temporary storage in the core image library and is immediately executed.

Linkage Editor Control Statements

In addition to the program cards previously listed, object modules used as input for the linkage editor include linkage editor control statements. There are four kinds of these control statements, each of which is described in detail further on in this section.

PHASE	Indicates the beginning of a phase. It gives the name of the phase and the storage address where it is to be loaded.
INCLUDE	Signals that an object module or parts thereof are to be included.
ENTRY	Provides an optional transfer address for the first phase.
ACTION	Specifies options to be taken.

General Control Statement Format

The linkage editor control statements are similar in format to statements processed by the assembler. The operation field must be preceded by one or more blanks. The operation field must begin to the right of column 1 and must be separated from the operand field by at least one blank position. The operand field is terminated by the first blank position. It cannot extend past column 71.

Control Statement Placement

If multiple-object modules are being prepared in a single linkage editor run, the single ENTRY statement should follow the last object module. The ACTION statement(s) must be the first record(s) encountered in the input stream; otherwise, they are ignored.

PHASE and INCLUDE statements may be present on SYSRDR, SYSIPT, or in the relocatable library. Figure 8 shows the possible placement of the PHASE and INCLUDE statements.

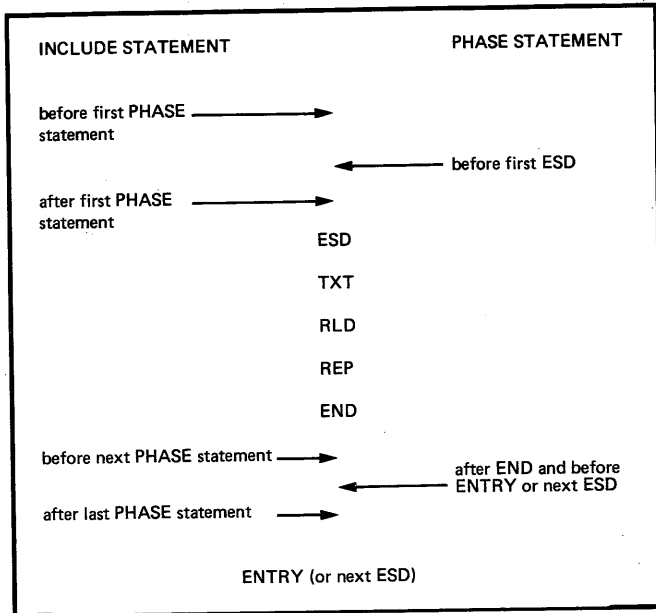


Figure 8. Placement of PHASE and INCLUDE Statements

INCLUDE statements within modules in the relocatable library must precede the ESD statement for the module.

PHASE

The PHASE statement must precede the first object module of each phase processed by the linkage editor. Under no circumstances can a PHASE statement occur within a control section. There can be several control sections within a phase. When several PHASE statements appear before an object module, each of the statements must be followed by at least one INCLUDE statement. Any object module not preceded by a PHASE statement is included in the current phase.

The first (or only) object module input for the linkage editor should include a PHASE control statement before the first ESD item. If no PHASE statement is used, or if the PHASE statement is in error, the linkage editor constructs a dummy statement. This allows testing of the program when the LINK option is used. However, the program with the dummy PHASE statement cannot be cataloged in a core image library; when the CATAL option is

used, the job is canceled. The last (or only) object module may optionally be followed by an ENTRY control statement.

This statement provides the linkage editor with a phase name and an origin point for the phase. The phase name is used to catalog the phase into a core image library. This name is used in a FETCH or LOAD macro to retrieve the phase for execution. The PHASE statement is in the following format.

```
PHASE name,origin[,NOAUTO][,SVA][,PBDY]
```

At least one blank must precede PHASE. The operands have the following meaning:

name Symbolic name of the phase. One to eight alphanumeric (0-9, A-Z, #, \$, and @) characters are used as the phase name. The name may not be ALL, S, or ROOT.

Each single-phase program should be unique in the first four characters of its phase name. Any phases that are named by the same first four characters will be classified as a multiphase program. When fetching a phase of a multiphase program, the partition must be large enough to contain the largest phase.

origin Specifies the load address of the phase. If the origin of a phase was specified relative to the beginning of a partition, the linkage editor refers to the start address of the virtual partition to calculate the load address of the phase.

To run a program in a real partition, you can

- Link-edit the program with ACTION REL (see the ACTION statement) so that it can be relocated to a real partition when it is loaded.
- Write the program to be self-relocating.
- Link-edit the program with a PHASE statement that contains the absolute address of the location within the real partition where the program is to be loaded.

If a COMMON area (such as in FORTRAN PROGRAMS) is used, the length of the largest COMMON is added to every phase origin, even if the origin is given as an absolute value. COMMON is located at the beginning of the phase with the lowest origin address (if multiple phases).

The load address can be in one of six forms:

- | | | |
|--------------------|---|--------------------|
| 1. symbol[(phase)] | } | relative addresses |
| 2. *[(phase)] | | |
| 3. S[(phase)] | } | absolute addresses |
| 4. ROOT | | |
| 5. +displacement | | |
| 6. F+address | | |

A phase can be made relocatable if its origin is specified as a relative address (formats 1-4 above). However, if the address is relative to another phase which is not relocatable, the new phase will not be relocatable. Refer to the ACTION statement for additional information about the relocating loader.

The elements that make up the six forms that specify the origin signify the following.

1. symbol: May be a previously defined phase name, control section name, or external label (the operand of an ENTRY source statement).

(phase): If symbol is a previously defined control section name or a previously defined external label that appears in more than one phase, phase (in parentheses) directs the linkage editor to the phase that contains the origin. The phase name must have been defined previously.

relocation: Indicates that the origin of the phase currently being processed will be set relative to the symbol by a relocation term consisting of a + or a - immediately followed by: X'hhhhhh' (one to six hexadecimal digits), dddddddd (one to eight decimal digits), or nK.

2. *: The linkage editor assigns the next storage location in the virtual partition (with forced doubleword alignment) as an origin for the next phase.

For the first PHASE statement in the background partition, * indicates that the origin is to be the first doubleword storage address after the partition save area, the label save area (if any), and the area assigned to the COMMON pool (if any).

relocation: Indicates relocation of the phase relative to the next storage location of the virtual partition. The format is as specified in item 1.

3. S: If S is specified, the origin is determined in the same manner as the first PHASE statement in item 2.

relocation: Indicates relocation of the phase relative to the start of the virtual partition as described in item 2.

4. ROOT: Tells the linkage editor that the phase that follows is a root phase. The storage address assigned to the root phase is determined in the same manner as the first PHASE statement in item 2. Only the first PHASE statement is permitted to specify ROOT. Any qualitative information (phase or relocation) is ignored when ROOT is specified. If a control section (CSECT) appears in the root phase, other occurrences of the same control section are ignored and all references are resolved to the control section in the root. (This does not apply to control sections and external references that begin with the letters IBM.) Control sections are not duplicated within the same phase. If any subsequent phase overlays any part of the ROOT phase, a warning diagnostic is displayed on SYSLSY if ACTION MAP is specified. Refer also to ACTION Statement.

5. +displacement: Allows the origin (loading address) to be set at a specified location. The origin point is an absolute address, relative to zero.

displacement must be: X'hhhhhh' (one to six hexadecimal digits), dddddddd (one to eight decimal digits), or nK. A displacement of zero (+0) would be used to denote a self-relocating program.

6. F+address: This format allows the origin of the program that is being link-edited in one partition to be set at the start of another partition that is not allocated. If the other

partition is allocated, ACTION BG or ACTION Fn has the same effect as F+address.

It also indicates that an area is to be reserved at the beginning of the other partition for the program name, a register save area, and label information. F should never be used for self-relocating programs. If COMMON is used, the COMMON start address is resolved to the first doubleword boundary after the reserved area at the beginning of the area specified by the F+displacement in the PHASE statement.

address: The absolute storage address of the partition in which the link-edited program is to be executed. It may be specified by: X'hhhhhh' (four to six hexadecimal digits), dddddd (five to eight decimal digits), or nnnnK (n is two to four digits). For example, an address may be specified as +32K or +X'8000' or +32768. The origin of the phase is on the first doubleword boundary after the sum of address, the adjustment for the save area requirements, the label area and the length of the COMMON area, if applicable.

NOAUTO Indicates that the Automatic Library Lookup (AUTOLINK) feature is suppressed for both the private and system relocatable libraries. AUTOLINK collects each unresolved external reference from the phase. It then searches the private relocatable library (if assigned) and then the system relocatable library for a cataloged object module with the same name as each unresolved external reference. When a match is found, the module in the private or system relocatable library is link-edited into the phase. The AUTOLINK retrieved module must have an entry point matching the external reference in order to resolve its address. Unresolved external references are processed sequentially in alphameric order. Object-module cross references with labels identical to library object-module entry-point labels are erroneous. The use of the NOAUTO operand in a PHASE statement causes the AUTOLINK process to be suppressed for that phase only. (Also see ACTION Statement.)

SVA Indicates that the phase is SVA-eligible. This means that the phase must be reenterable and relocatable (link-edited for loading by the relocating loader). When this phase is cataloged into the system core image library, the linkage editor will also have the phase loaded into the SVA if the phasename was listed in the SDL with an SVA operand. If the linkage editor finds that a phase that is specified with the SVA operand is not relocatable, an error message is issued and the SVA operand is ignored.

PBDY Indicates that the phase is to be link-edited on a page boundary. If the current link-edit address is not aligned on a page boundary, the linkage editor uses the next higher page boundary address.

Note: It is not recommended that PBDY be specified for the first or only phase of a program.

Some examples of PHASE statements follow.

PHASE PHNAME,**504

This causes loading to start 504 bytes past the end of the previous phase.

PHASE PHNAME3,PHNAME2

This causes loading to start at the same point where the loading of phase PHNAME2 started.

PHASE PHNAME,ROOT

Loading begins at the first doubleword after the beginning of the partition, the partition save area, the label save area (if any), and the area assigned to the COMMON pool (if any). When the PHASE statement contains a ROOT origin, this PHASE statement must be the first PHASE statement read by the linkage editor. Otherwise, it is treated as a symbol.

PHASE PHNAME,CSECT1 (PHNAME2)

This causes loading to start at the point where CSECT1 was loaded. CSECT1, the named control section, must have appeared in the phase named PHNAME2.

PHASE PHNAME,F+X'6000'

This causes loading to start at 24K plus the length of the save area and label area.

PHASE PHNAME,F+32K

This causes loading to start at 32K plus the length of the save area and label area.

PHASE PHNAME1,F+30K
PHASE PHNAME2,*
PHASE PHNAME3,PHNAME2

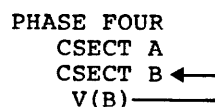
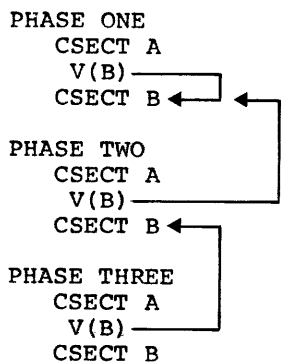
The first phase (PHNAME1) of the preceding series is loaded starting at 30K plus the length of the save area and label area. The second phase (PHNAME2) of the series is loaded at the end of PHNAME1. The third phase (PHNAME3) is loaded at the same address as was PHNAME2, that is, at the end of PHNAME1.

Note: In each of the preceding examples, if the origin address supplied is not on a doubleword boundary, the linkage editor automatically increments to the next doubleword boundary.

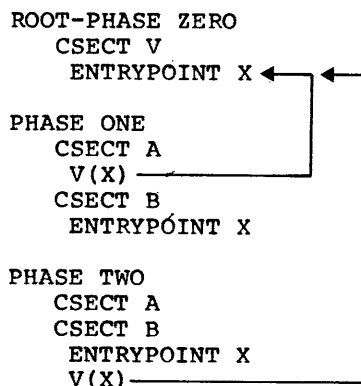
The linkage editor allows the inclusion of the same control section within each of several phases. If a control section (CSECT) appears in a ROOT phase, it does not appear in any other phase. (This does not apply to control sections that begin with the letters IBM.) A duplicate control section within the same phase will be ignored.

The following examples show how external references are resolved, depending on whether or not a ROOT phase exists.

The first example shows how external references are resolved when there is no ROOT phase:

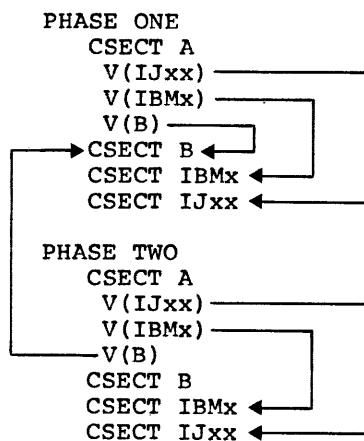


The second example shows the resolution of external references with a ROOT phase:



Privileged external references (names beginning with the letters IJ or IBM) are always resolved within the current phase or the ROOT phase. If this is not possible, the resolution will be attempted at the end of the phase via the AUTOLINK function (if NOAUTO is specified, the IJ or IBM prefix is not privileged). The other previously defined phases are not examined for possible resolution. If an external reference does not match the name of a module in the relocatable library, it will be an unresolved external reference.

The following example shows the resolution of privileged external references:



INCLUDE

INCLUDE indicates that an object module is to be included for editing by the linkage editor. It has two optional operands. When both operands are used, they must be in the prescribed order. When the first operand is omitted and the second operand is used, a comma must precede the second operand. The first operand indicates that the input is in the relocatable library. The second operand indicates that the input is in submodular structure. The names appearing in the namelist (second operand) are the names of selected control sections from which a phase is to be constructed.

If both operands are omitted, the object module to be included is assumed to be on SYSIPT. Job control copies it onto SYSLNK. Each series of relocatable modules on SYSIPT must be terminated by a /* control statement. INCLUDE statements with blank operands are recognized only on SYSRDR.

If only the first operand is present, the object module is assumed to be in either the private or the system relocatable library. The linkage editor first searches the private relocatable library (if assigned) and then the system relocatable library for the module. The module name must be the same as that used when the module was cataloged in the library. Including modules from the relocatable libraries permits the programmer to include standard subroutines in his program at link-edit time.

If only the second operand is present, the object module to be included is assumed to be in the input stream (SYSLNK). The linkage editor reads the object module and extracts the control section(s) indicated by the second operand of the INCLUDE.

Note: If this option is elected, the module must be preceded by an INCLUDE statement with a blank operand in order for job control to place the module on SYSLNK.

If both operands are present, the object module is read from the relocatable library and the indicated control section(s) are extracted.

The placement of the INCLUDE statement determines the position of the module in

the program phase. An included module (in the relocatable library) can be preceded by one or more additional INCLUDE statements.

The format of the INCLUDE statement is:

```
INCLUDE [modulename][,(namelist)]
```

At least one blank must precede INCLUDE.

modulename

Symbolic name of the module, as used when cataloged in the relocatable library. It consists of one to eight alphameric characters.

(namelist)

The linkage editor constructs a phase from only the control sections specified. The namelist is in the following format.

```
(cname1,cname2,...)
```

Entries within the parentheses are the names of the control sections that will be used to constitute a phase. When the namelist option is used and only selected control sections are included in a phase, a submodular phase is created. The counterpart of a submodular phase is a normal phase. A normal phase contains all control sections of one or more object modules. It is possible to include within the same phase an object module(s) without the namelist option and an object module(s) specifying the namelist option. The total number of control sections in a namelist cannot exceed five; however, any number of INCLUDE statements can be used.

Modules in the relocatable library can be nested by using INCLUDE statements up to a depth of five (level of six). Modules included by INCLUDE statements read from SYSRDR are referred to as being in the first level. Modules included by statements in the first level are at the second level. Modules included by statements in the second level are at the third level, and so on up to six levels.

Submodular Structure

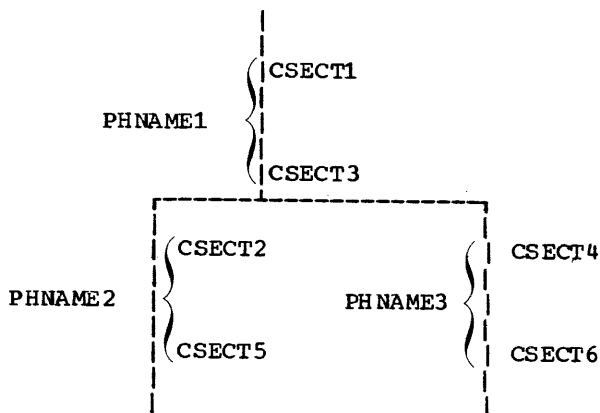
When several control sections are compiled together in one object module, it is sometimes desirable to break them up into several phases at link-edit time. This is done by using a PHASE statement followed by an INCLUDE statement with the namelist option. For example, in the sequence

```

PHASE PHNAME1,*
INCLUDE ,(CSECT1,CSECT3)
PHASE PHNAME2,*
INCLUDE ,(CSECT2,CSECT5)
PHASE PHNAME3,PHNAME2
INCLUDE ,(CSECT4,CSECT6)

```

the linkage editor structures the next module composed of CSECT1-CSECT6 in three overlays as shown:



The absence of the first operand in the INCLUDE statement indicates that the control sections are to be incorporated from the next succeeding module in the input stream.

The preceding sequence of PHASE and INCLUDE statements may be read by job control onto SYSLNK in one of two ways:

- If the PHASE and INCLUDE statements are on SYSRDR, an INCLUDE statement with a blank operand must follow the sequence to read the module (on SYSIPT) containing CSECT1-CSECT6 onto SYSLNK.
- If the PHASE and INCLUDE statements are on SYSIPT (immediately preceding the module), an INCLUDE statement with a blank operand on SYSRDR directs job control to read everything onto SYSLNK from SYSIPT down to the /* statement.

PHASE and INCLUDE statements can also be in the relocatable library. This implies that submodular phases can be constructed from modules in the relocatable library. If PHASE and INCLUDE statements come from the relocatable library (via an INCLUDE MODNAME), then the control sections for

that module are in the relocatable library. In this structure, the required control sections (in the relocatable library) immediately follow the last INCLUDE statement. For example, in the sequence

```

PHASE PHNAME1,*
INCLUDE MODNAME1,(CSECT1,CSECT3)
PHASE PHNAME2,*
INCLUDE MODNAME1,(CSECT2,CSECT5)
PHASE PHNAME3,PHNAME2
INCLUDE MODNAME1,(CSECT4,CSECT6)

```

the linkage editor structures the next module (cataloged in the relocatable library under MODNAME1) composed of CSECT1-CSECT6 into the same three overlays as shown in the preceding example.

If MODNAME1 contains an INCLUDE statement, the linkage editor interprets this to mean that the module to be included should also be searched for the control sections requested in the namelist. For example, in the relocatable library if MODNAME1 contains

```

INCLUDE MODNAME2
CSECT3
CSECT5
CSECT6

```

and in the relocatable library MODNAME2 contains

```

CSECT1
CSECT2
CSECT4

```

upon encountering an

```

INCLUDE MODNAME1,(CSECT1,CSECT3)

```

statement, the linkage editor goes to MODNAME1 and finds INCLUDE MODNAME2. The linkage editor then goes to MODNAME2 and extracts CSECT1 and returns to MODNAME1 and extracts CSECT3.

A nonsubmodular INCLUDE statement may be placed before or after a submodular INCLUDE statement. This results in the addition of the included module into the phase at the point the INCLUDE statement is encountered. For example, if MOD1 contains CSECT4 and CSECT5, the sequence

```

PHASE PHNAME1,*
INCLUDE ,(CSECT1,CSECT3)
INCLUDE MOD1

```

(Object module containing CSECT1 and CSECT3)

results in the following structure:

```
PHNAME1  CSECT1
          CSECT3
          CSECT4
          CSECT5
```

while the sequence

```
PHASE    PHNAME1,*
INCLUDE  MOD1
INCLUDE  ,(CSECT1,CSECT3)
```

(Object module containing CSECT1 and CSECT3)

results in the following structure:

```
PHNAME1  CSECT4
          CSECT5
          CSECT1
          CSECT3
```

Note: Both of the following statements produce the same result.

```
INCLUDE  ,(CSECT1,CSECT3)
INCLUDE  ,(CSECT3,CSECT1)
```

That is, CSECT1 and CSECT3 are in storage in that sequence. This is because the linkage editor extracts control sections in the order in which they appear in the input stream, not as they are ordered in the name list. In order to have CSECT3 physically located ahead of CSECT1 in storage, two INCLUDEs must be used:

```
INCLUDE  ,(CSECT3)
INCLUDE  ,(CSECT1)
```

As no diagnostic is given if a control section, specified in the namelist, is not present in the indicated module, you can inspect the MAP supplied by the linkage editor to determine if the proper control sections are in the correct phases. ESD items from unused control sections may appear as "unresolved external references" in link maps.

ENTRY

Every program, as input for the linkage editor, is terminated by an ENTRY statement. Its format is:

```
ENTRY    [entrypoint]
```

At least one blank must precede ENTRY.

entrypoint Symbolic name of an entry point. It must be the name of a CSECT or a label definition (source ENTRY) defined in the first phase. This address is used as the transfer address to the first phase in the program. If the operand field

is blank, the linkage editor uses as a transfer address the first significant address provided in an END record encountered during the generation of the first phase. If no such operand is found on the END card, the transfer address is the load address of the first phase.

It is necessary to supply the ENTRY statement only if a specific entry point is desired. Job control writes an ENTRY statement with a blank operand on SYSLNK when EXEC LNKEDT is read to ensure that an ENTRY statement will be present to halt link editing.

ACTION

This statement is used to indicate linkage editor options. When used, the statement must be the first linkage editor record(s) in the input stream. If multiple operands are required, they can be placed in separate ACTION statements or in one ACTION statement separated by commas. Its format is:

```
ACTION {REL } [,CLEAR] [,MAP ] [,NOAUTO]
        {NOREL}
        [,CANCEL] [,BG ]
                [,Fn]
```

At least one blank must precede ACTION.

CLEAR Indicates that the unused portion of the core image library will be set to binary zero before the beginning of the linkage editor function. CLEAR is a time-consuming function. It should be used only if it is necessary to fill areas defined by DS statements with zeros.

MAP Indicates that SYSLST is available for diagnostic messages. In addition, a map of virtual storage is printed on SYSLST. The map contains the name of every entry within each CSECT and the name of every CSECT within each phase.

NOMAP Indicates that SYSLST is not available when performing the link-edit function. Storage mapping is not performed and all linkage editor error diagnostics are listed on SYSLOG.

NOAUTO Indicates the AUTOLINK function is to be suppressed during the link editing of the entire program. AUTOLINK will be suppressed for both the private and the system relocatable libraries.

Note: When a WX is encountered, it is treated in the same manner as an EXTRN, NOAUTO.

CANCEL Cancels the job automatically if any of the errors 2100I through 2170I occur. If this option is not specified, the job continues.

BG
Fn Sets the end-of-supervisor address used in linkage editor calculations to the beginning of the virtual partition specified, plus the length of the label area and of the save area. The end-of-supervisor address in the communication region is not changed.

The BG and Fn operands link edit a program to execute in a partition other than that in which the link edit function is taking place. Programs that have a phase origin of S (or * for the first phase of a program) are originated to the specified virtual partition.

Use of the ACTION BG statement is possible only in a system supporting more than one partition and the private core image library option when the linkage editor is executing in a foreground partition.

Use of the ACTION Fn statement in a multiprogramming environment requires that the partition be allocated. If these operands are used in a non-multiprogramming environment, they are ignored. If none of these operands are present, the program is link edited to execute in the virtual partition or in its associated real partition in which link-editing takes place, unless otherwise specified in the PHASE statement.

REL Indicates that the phase(s) produced during this execution of the linkage editor is (are) to be made relocatable, if possible. The format of the origin specified in the PHASE statement determines whether or not a relocatable phase can be produced. (Refer to the origin operand in the PHASE statement.) If support for the relocating loader was generated in the supervisor, ACTION REL is the default. At program execution time, a relocatable program can be loaded into any partition. For a more detailed description of the relocating loader and its use, refer to the DOS/VS System Management Guide, GC33-5371.

NOREL Indicates that the phase(s) produced during this execution of the linkage editor is (are) not to be made relocatable. If support for the relocating loader was not generated in the supervisor, ACTION NOREL is the default.

An ACTION statement flagged as invalid (as the result of an invalid operand, etc.), ignores all subsequent ACTION statements submitted during the job.

The ACTION statement is not required. If the MAP option is specified, SYSLST must be assigned. If the statement is not used and SYSLST is assigned, MAP is assumed and a map of the virtual storage partition and any error diagnostics are printed on SYSLST. If the statement is not used and SYSLST is not assigned, NOMAP is assumed.

The following information is contained in the storage map.

1. The name of each phase, the lowest and highest virtual storage locations of each phase, and the hexadecimal disk address where the phase begins in the core image library.
2. An indication if the phase is a ROOT phase, or if a phase overlays the ROOT phase in any way (designated by OVEROOT).
3. The length of COMMON, if appropriate.
4. The names of all CSECTs belonging to a phase, the address where each CSECT is loaded, and the relocation factor of each CSECT.
5. All defined entry points within a CSECT. If an entry point is unreferenced, it is flagged with an asterisk (*).
6. The names of all external references that are unresolved.
7. The transfer (execute) address of each phase.
8. An indication that the phase is relocatable, self-relocating, not relocatable, or SVA eligible.
9. Warning messages are printed if:
 - The ROOT phase has been overlaid;
 - A possible invalid entry point duplication occurred;
 - The ENTRY or END statement contained an invalid (undefined) transfer label;

- At least one control section had a length of zero;
- The assembled origin on an RLD statement was outside the limits of the phase;
- An address constant could not be resolved.

These messages may or may not indicate actual programming errors. If NOMAP is operational, the warning messages are not printed.

The difference between specifying NOAUTO in a PHASE statement and specifying ACTION NOAUTO. The NOAUTO operand in a PHASE statement indicates to the Linkage Editor that AUTOLINK is to be suppressed for that phase only. If an entire program requires NOAUTO, then specifying ACTION NOAUTO cancels AUTOLINK during link editing of the entire program, thereby eliminating the necessity of specifying NOAUTO in each PHASE statement.

Figure 9 shows a partition storage map and a diagnostic listing produced on SYSLIST. For the line numbers referred to in the following discussion, see Part 1 of Figure 9.

1. Line 1 (ACTION TAKEN). MAP and REL have been specified on separate ACTION cards. Had NOAUTO been specified, it would also appear on this line.
2. Lines 3, 13, 15, 17, 19, 21, 23, 25, and 27. These lines are printed when the statement is read by the linkage editor.

When a module is included from the relocatable library, it is not possible to guarantee that the sequence identification printed in columns 8-15 is that of the record printed. This occurs because the MAINT librarian program reblocks the content of the card images to a more compressed format.

JOB	NO	NAME	31/07/74	DOS LINKAGE EDITOR DIAGNOSTIC OF INPUT	
ACTION	TAKEN	MAP	REL		
LIST	INCLUDE	IJBLS2			LNK00020
LIST	INCLUDE	IJBMIN	INITIALIZATION		03000000
LIST	PHASE	MAINT,+0,NOAUTO			
LIST	INCLUDE	IJJCPD1N	LIOSCS I/O MODULE		
LIST	INCLUDE	IJBMUP	DISK ADDRESS UPDATE ROUTINE		
LIST	INCLUDE	IJBMIO	DISK I/O ROUTINE		
LIST	INCLUDE	IJBMCS	CARD SCAN ROUTINE		
LIST	INCLUDE	IJBLBC	LIBRARIAN ERROR ROUTINE		
LIST	INCLUDE	IJBLBA	MAINT FETCH ROUTINE		
LIST	INCLUDE	IJBMDU	DIRECTORY UPDATE ROUTINE		
LIST	INCLUDE	IJBMDS	DIRECTORY SCAN ROUTINE		
LIST	INCLUDE	IJBLBE	MAINTR2		06000000
LIST	PHASE	MAINTR2,MAINTSUB,NOAUTO			
LIST	INCLUDE	IJBLBD	MAINTDR		09000000
LIST	PHASE	MAINTDR,MAINTSUB,NOAUTO			
LIST	INCLUDE	IJBLBF	MAINTS2		12000000
LIST	PHASE	MAINTS2,MAINTSUB,NOAUTO			
LIST	INCLUDE	IJBLBN	MAINTP2		PM 15000000
LIST	PHASE	MAINTP2,MAINTSUB,NOAUTO			
LIST	INCLUDE	IJBLBL	MAINTA		18000000
LIST	PHASE	MAINTA,MAINTSUB,NOAUTO			
LIST	INCLUDE	IJBLBM	MAINTCL		21000000
LIST	PHASE	MAINTCL,MAINTSUB,NOAUTO			
LIST	INCLUDE	IJBLBG	MAINTCN		27000000
LIST	PHASE	MAINTCN,MAINTSUB,NOAUTO			
LIST	INCLUDE	IJBLBQ	MAINTUP		33000000
LIST	PHASE	MAINTUP,MAINTSUB,NOAUTO			
LIST	ENTRY				

Figure 9. Partition Storage Map (Part 1 of 3)

1/07/74	PHASE	XFR-AD	LOCORE	HICORE	DSK-AD	ESD TYPE	LABEL	LOADED	REL-FR	
	MAINT	00099A	000000	0015D7	029 13 01	CSECT	IJJCPD1N	000000	000000	SELF RELOCATING
						ENTRY	IJJCPD3	000000		
						CSECT	IJBMUP40	000298	000298	
						ENTRY	DKADUP	000298		
						ENTRY	VIJBMUP	000300		
						CSECT	IJBMIO40	000308	000308	
						ENTRY	RDENT	000308		
						ENTRY	WTFMENT	000314		
						ENTRY	WTDATENT	000358		
						ENTRY	IOSTART	000308		
						ENTRY	VIJBMIO	000418		
						CSECT	IJEMCS50	000448	000448	
						ENTRY	CSSTART	000448		
						ENTRY	CSCONT	0004F2		
						ENTRY	NEWREAD	000464		
						ENTRY	IJSYSIN	000668		
						ENTRY	ENDJOB	000582		
						ENTRY	INPUT	000724		
						ENTRY	EOF	000560		
						ENTRY	P2EOF	000564		
						ENTRY	SETOF	00057C		
						ENTRY	INPUT1	000722		
						* ENTRY	COMMBYTE	00080F		
						ENTRY	VIJEMCS	000814		
						ENTRY	STATTAB	0006E2		
						CSECT	IJBERR40	000828	00828	
						ENTRY	ERSTART	000828		
						ENTRY	AREA	000875		
						ENTRY	IJSYSLS	0008F8		
						* ENTRY	ASA	000873		
						ENTRY	SKIPMV	00083A		
						ENTRY	COUNT	000872		
						ENTRY	VIJBLBC	0008F0		
						CSECT	IJBMNT41	000990	000990	
						ENTRY	INITABLE	000BD4		
						* ENTRY	BEGINN	00099A		
						ENTRY	BEGINN1	00099C		
						ENTRY	PCILEXT	000BFD		
						ENTRY	PRELEXT	000C01		
						ENTRY	PSSLEXT	000C05		
						ENTRY	MNTLP	000BCC		
						ENTRY	MNTRETN	0009F0		
						CSECT	IJBMDU50	000D80	000D80	
						ENTRY	VIJBMU	000F40		
						ENTRY	TRACKS	000E63		
						ENTRY	SSRECD	000F3B		
						ENTRY	RLRECD	000F3C		
						ENTRY	PLRECD	000F3A		

Figure 9. Partition Storage Map (Part 2 of 3)

1/07/74	PHASE	XFR-AD	LOCORE	HICORE	DSK-AD	ESD TYPE	LABEL	LOADED	REL-FR			
						ENTRY	DUSTART	000D80				
						ENTRY	DUOLD	000ED6				
						CSECT	IJBMS40	000F58	000F58			
						ENTRY	VIJBMS	001004				
						ENTRY	MAINTSUB	001018				
						ENTRY	DSSTART	000F58				
						ENTRY	DSCONT	000FD0				
						ENTRY	READNXT	000F64				
						CSECT	IJBMIN50	001018	001018			
						ENTRY	VIJBMIN	0013C0				
						ENTRY	INSTART	001018				
MAINTR2	001022	001018	00208F	02A 00 01	CSECT	IJEMAR40	001018	001018	001018	NOT RELOCATABLE		
MAINTDR	001022	001018	001F07	02A 00 06	CSECT	IJBMDR40	001018	001018	001018	NOT RELOCATABLE		
						ENTRY	MAINDIR	001260				
						* ENTRY	DRSTART	001022				
MAINTS2	001022	001018	0021FA	02A 01 04	CSECT	BEGIN	001018	001018	001018	NOT RELOCATABLE		
						* ENTRY	CATENT	001022				
MAINTP2	001022	001018	00193C	02A 02 03	CSECT	BEGIN	001018	001018	001018	NOT RELOCATABLE		
						ENTRY	NOEOF	001442				
						* ENTRY	CATALP	001022				
MAINTA	001022	001018	002FD7	02A 02 06	CSECT	IJBMAA41	001018	001018	001018	NOT RELOCATABLE		
MAINTCL	001022	001018	001584	02A 04 02	CSECT	IJBACL40	001018	001018	001018	NOT RELOCATABLE		
MAINTCN	001022	001018	002817	02A 04 04	CSECT	IJBCON50	001018	001018	001018	NOT RELOCATABLE		
MAINTUP	001022	001018	002CE7	02A 05 04	CSECT	IJBUPD50	001018	001018	001018	NOT RELOCATABLE		
						CSECT	BOOK	0029B0	001018			

Figure 9. Partition Storage Map (Part 3 of 3)

Linkage Editor Input Considerations

The storage requirements for a link-edit run depend on:

- Input to the linkage editor (number of PHASE statements and number of ESD items).
- Whether \$MAINDIR (the phase that is called by the linkage editor and librarian programs to maintain the core image directory) runs in the SVA or not.

Note: It is assumed that \$LIBSTAT (the phase that prints out the status report of the libraries) runs in the SVA if \$MAINDIR does.

- The start address of the linkage editor during execution. (The work area for the linkage editor starts on a 1K boundary, while the linkage table starts on a page boundary. In the following storage estimate formula, the worst case is assumed, that is, the maximum storage amount of 2K is used to ensure correct alignment.)

In a virtual partition of 64K with \$MAINDIR running in the SVA the linkage editor can process at least 50 phases with a total number of 1700 unique ESD items.

A unique ESD item is defined as being an occurrence in the control dictionary. All symbols that appear in the MAP are unique occurrences. A symbol that occurs several times in the input stream is normally incorporated into a unique ESD item. However, if the same symbol occurs in different phases (for example, control sections), each resolved occurrence of the symbol within a different phase is a unique ESD item.

You can use the following formula for storage estimates. If the relation is satisfied, then you have enough address space for the link-edit run.

$$26,900 + M + ST + 52 * x + 20 * y \leq P$$

where M = 0 if \$MAINDIR runs in SVA
10,240 if \$MAINDIR runs in partition

$$ST = 30 * x \text{ if } 30 * x < 2048 \\ 2048 \text{ if } 30 * x \geq 2048$$

x = number of PHASE statements

y = total number of unique ESD items

P = available storage in partition.

Linkage Editor Job Setup

When link editing in the foreground, a private core image library (SYSCLB) must be uniquely assigned to the partition. The program phase (output of the linkage editor) is put in the private core image library. In the background, the linkage editor can put a phase in either a private or the system core image library. If SYSCLB is uniquely assigned in the background, the linkage editor output is put in the private core image library. If SYSCLB is not assigned, the system core image library is used.

When performing a link-edit function, the following system and programmer logical units are used. SYSRDR and SYSIPT may contain input for the linkage editor. This input is written onto SYSLNK by job control.

<u>Unit</u>	<u>Function</u>
SYSRDR	Control statement input (via Job Control)
SYSIPT	Module input
SYSLST	Programmer messages and listings
SYSLOG	Operator messages
SYSLNK	Input to the Linkage Editor
SYS001	Work file

In normal operations, all preceding logical units must be assigned. In a unique circumstance (when all modules to be link-edited are in the relocatable library), SYSIPT would not need to be assigned.

If output from the linkage editor is to be placed in a private core image library, the following symbolic unit is also required:

SYSCLB The private core image library

A link-edit job is set up in the following manner.

<u>Control Statement</u>	<u>Remarks</u>
// JOB	Required only if this is the first job step of a job.
// ASSGN	Required only if device assignments are to differ from the system standard assignments. Units that can be assigned are SYSRDR, SYSIPT, SYSLST, SYSLNK, and SYS001.

ASSGN SYSCLB Required if output of linkage editor is to be placed in a private core image library.

// OPTION OPTION statement must follow the ASSGN statement (if any) for SYSLNK.

ACTION Optional ACTION statement (with appropriate operands) must precede the first linkage editor control statement.

PHASE As many PHASE and
INCLUDE INCLUDE statements as are required are used to construct phases from the modules input to the linkage editor.

ENTRY Optional statement to provide a transfer address for the first phase.

// LBLTYP LBLTYP statement (if required) to define the amount of storage to be reserved at link-edit time for processing of tape or nonsequential DASD file labels in the virtual storage partition.

// EXEC LNKEDT EXEC statement to call the linkage editor from the core image library. Job control creates an ENTRY statement on SYSLNK to ensure its presence to halt link editing.

/& End-of-job statement.

When link-editing multiple object modules into one program phase, make sure that the linkage editor selects the intended entry point. Either specify or place the main control section first in the linkage editor input, or use a linkage editor ENTRY statement with the name of the main control section as the entry-point operand.

Example of Linkage Editor Input and Output

The program shown in Figure 10 illustrates the rules governing input for the linkage editor and shows the output obtained. Though this example is somewhat more complex than the normal program, by following the flow of the input, one can find practically every situation that may arise.

The leftmost block shows control statements being read by job control from SYSRDR. The next block is read by job control from SYSIPT and contains an object module (module 1) and a source module to be assembled. The next block shows the output from job control on SYSLNK, which is the input to the linkage editor. The next two blocks represent two levels in the relocatable library. The rightmost block shows the output phases as they appear in the temporary portion of the core image library after the execution of the linkage editor function. A detailed sequence of events follows.

Linkage editor control statements are read by job control from SYSRDR and are copied on SYSLNK until an INCLUDE statement with a blank first operand is read. This statement is not copied on SYSLNK. Instead, job control copies the module on SYSIPT onto SYSLNK until a /* statement is read. Job control then reads from SYSRDR. An assembly is executed and its output is written directly on SYSLNK. (It is assumed that LINK was specified in an OPTION statement preceding the linkage editor control statements.) Job control then writes the ENTRY statement with a transfer label for CS A on SYSLNK and issues a fetch for the linkage editor.

The linkage editor reads from SYSLNK and starts to create a program. An INCLUDE statement with a first operand signals the linkage editor to access the relocatable library. This is the first level of an INCLUDE. In the first level of the relocatable library, the linkage editor reads an INCLUDE (for the second level) and performs this inclusion. As no INCLUDE is present in the second level, control is returned to the calling input level. This process is repeated for the next INCLUDE. Note that the namelist specifies only CS C is wanted.

After the inclusion of the module at the first level, control is returned to SYSLNK where a new phase is encountered. The control sections are read from SYSLNK and added to PHASE2 until the next INCLUDE is read. At this time, the linkage editor again accesses the relocatable library, performs the inclusion of MOD5 into PHASE2, and continues reading input from SYSLNK. Processing continues until the ENTRY statement is reached.

The split control section (CS E) is assigned a contiguous area of virtual storage.

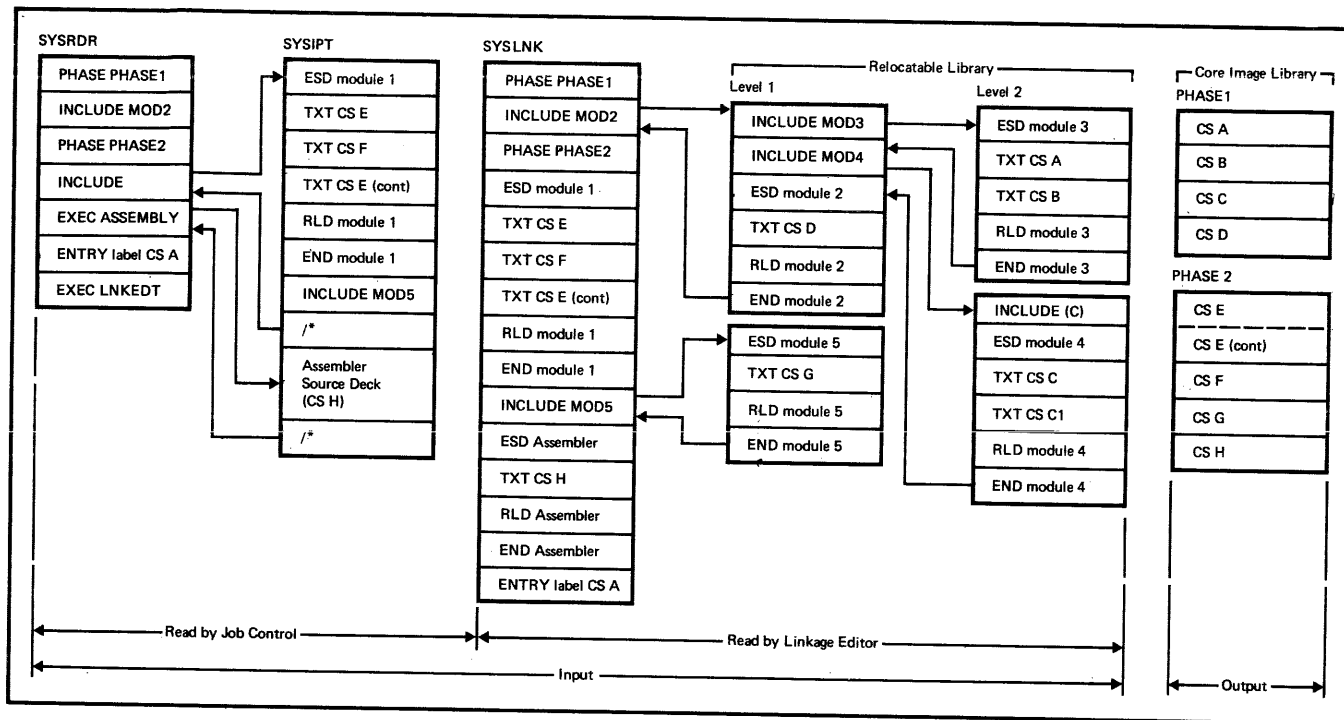


Figure 10. Example of Linkage Editor Input and Output

Librarian

This section describes the set of programs that maintain, service, and copy the libraries of DOS/VSE. This set of programs is collectively referred to as the librarian. For partition processing requirements, refer to DOS/VSE System Management Guide.

2. Relocatable library
3. Source statement library
4. Procedure library.

The system residence (SYSRES) can contain four separate and distinct system libraries:

The core image library is the only library that is required.

1. Core image library

Figure 11 lists the logical units required and used by the librarian programs.

	MAINT	CORGZ	DSEVR	CSERV	RSERV	SSERV	PSERV	ESERV
SYSRDR ¹	R	R	R	R	R	R	R	
SYSIPT	R	R	R	R	R	R	R	R
SYSLST	R	R	R	O	O	O	O	O
SYSLOG ²	R	R	R	R	R	R	R	R
SYSRES	R	R	R	R	R	R	R	R
SYSCLB	O	O	O	O				
SYSRLB	O	O	O		O			
SYSILB	O	O	O			O		O
SYS000		O						
SYS001		O						
SYS002		O						
SYS003		O						
SYSIN ³	O	O	O	O	O	O	O	O
SYPCH	O			O	O	O	O	O

R = Required

O = Optional dependent upon function specified

¹SYSRDR is required for job control purposes only.

²SYSLOG must not be assigned to a printer

³If SYSRDR and SYSIPT are assigned to the same device, SYSIN may be used.

Figure 11. Logical Units Required and Used by the Librarian Programs

		Directory			
		Core Image	Relocatable	Source Statement	Procedure
NUMBER OF ENTRIES:					
2311*			--	--	--
2314/2319	first track other tracks last track	Variable	335 module 340 entries 339	265 book 270 entries 269	265 procedure 270 entries 269
3330/3333	first track other tracks last track	(see Note)	555 module 560 entries 559	435 book 440 entries 439	435 procedure 440 entries 439
3340	first track other tracks last track		335 module 340 entries 339	255 book 260 entries 259	255 procedure 260 entries 259
3350	first track other tracks last track		755 module 760 entries 759	545 book 550 entries 549	545 procedure 550 entries 549
NUMBER OF TRACKS:					
2311*			--	--	--
2314/2319		Variable	$TRD = \frac{m+6}{340}$	$TSD = \frac{b+6}{270}$	$TPD = \frac{d+6}{270}$
3330/3333		(see Note)	$TRD = \frac{m+6}{560}$	$TSD = \frac{b+6}{440}$	$TPD = \frac{d+6}{440}$
3340			$TRD = \frac{m+6}{340}$	$TSD = \frac{b+6}{260}$	$TPD = \frac{d+6}{260}$
3350			$TRD = \frac{m+6}{760}$	$TSD = \frac{b+6}{550}$	$TPD = \frac{d+6}{550}$

m = Total number of modules in the relocatable library.
b = Total number of books in the source statement library.
d = Total number of procedures in the procedure library.

The value TxD is rounded to the next higher integer if a remainder results.

*The 2311 is supported as a system residence device for private core image libraries only.

Note: The entries in the core image directory are of variable length with a maximum length of 30 bytes. The length of the entries is determined by the information contained in them. The load point at link-edit time, the entry point at link-edit time, the number of RLD items, the number of additional RLD blocks, and the partition start address at link-edit time are only part of the directory entry under certain conditions. The number of blocks (256 bytes) per track is 10 for the 2311 (only private core image library), 17 for the 2314/2319, 28 for the 3330/3333, 16 for the 3340, and 36 for the 3350.

Figure 12. Calculation of the Tracks Required for Directories

Disk Storage Space Required for Libraries and Directories

You must determine the amount of space allocated to each of the libraries and directories. Each library consists of one or more complete disk tracks. Each directory occupies the first track(s) of the first cylinder allocated to its respective library.

DIRECTORY SIZES

Figure 12 summarizes the track requirements for the core image, relocatable, source statement, and procedure directories.

CORE IMAGE LIBRARY SIZE

Each track allocated to the core image library contains three fixed-length blocks on 2311, six fixed-length blocks on 2314/2319, eleven fixed-length blocks on 3330/3333, seven fixed-length blocks on 3340, or fifteen fixed-length blocks on 3350. Each block contains 1024 bytes of instructions or data. For non-relocatable phases, the core image library contains exactly the same information as is loaded into virtual storage for execution. For relocatable phases, the CIL contains both TXT and RLD information. Each phase is written beginning in a new block. The number of tracks required for the core image library can be calculated as follows:

1. Determine the number of blocks (B) required for a phase:

$$B = \frac{L}{1024}$$

where L is the total number of bytes in the phase (rounded up to a multiple of 4) plus 4 times the number of RLD items (see the assembly listing). The value B is rounded to the next higher integer if a remainder results.

2. Determine the total number of blocks (Bt) required for all phases in the core image library:

$$Bt = B1 + B2 + B3 + \dots + Bn$$

3. Determine the number of tracks (TCL) required to hold all phases in the core image library:

$$TCL = \frac{Bt}{n}$$

where n = 3 for the 2311 (supported as a private core image library only)
 6 for the 2314/2319
 11 for the 3330/3333
 7 for the 3340
 15 for the 3350

4. Determine the number of cylinders (CCL) required to hold the core image library and core image directory:

$$CCL = \frac{TCD+TCL}{n}$$

where n = 10 for the 2311 (supported as a private core image library only)
 20 for the 2314/2319
 19 for the 3330/3333
 12 for the 3340
 30 for the 3350

The value of CCL is rounded to the next higher integer if a remainder results. This calculation is useful when executing MAINT and CORGZ. When allocating a SYSRES file, add two tracks for system purposes.

RELOCATABLE LIBRARY SIZE

Each track allocated to the relocatable library contains 16 fixed-length blocks for the 2314/2319, 28 fixed-length blocks for the 3330/3333, 17 fixed-length blocks for the 3340, or 37 fixed-length blocks for the 3350. Each block is 322 bytes long. A number of factors affects the packing of information in these blocks. The factors include the following variables:

1. The number of separate control sections.
2. The use of DS (define storage) statements, which reserve storage that may or may not be utilized for data constants defined in the program.
3. Alternation of the location counter during assembly (use of ORG statements).

The following calculations approximate fairly accurately the library area required for typical programs.

1. Determine the number of blocks (Bc) required for all cards or statements except the actual program text. Assume a separate block for each card of the following types:

- a. PHASE
- b. INCLUDE
- c. REP
- d. END
- e. SYM
- f. ENTRY

Let Bc equal the total number of cards of the above types.

2. Determine the number of blocks (Be) required for ESD and RLD cards. Assume a separate block for every two ESD or RLD cards.
3. Determine the number of blocks (Bi) required for the actual instructions or data in the TXT cards. Assume an average of 200 bytes of text in each block. (A maximum per block, for continuously assigned text, is 264 bytes per block.) Thus:

$$Bi = \frac{\text{total bytes of text in TXT cards}}{200}$$

4. Determine the total number of blocks (Bn) required for a module in the relocatable library:

$$Bn = Bc + Bi + Be$$

5. Determine the total number of blocks (Bt) required to hold all of the modules in the library:

$$Bt = B1 + B2 + B3 + \dots + Bn$$

6. Determine the number of tracks (TRL)

$$TRL = \frac{Bt}{n}$$

where n = 16 for the 2314/2319
 28 for the 3330/3333
 17 for the 3340
 37 for the 3350

The value TRL is rounded to the next higher integer if a remainder results.

7. Determine the number of cylinders (CRL) required to hold the relocatable library and directory:

$$CRL = \frac{TRD + TRL}{n}$$

where n = 20 for the 2314/2319
 19 for the 3330/3333
 12 for the 3340
 30 for the 3350

The value CRL is rounded to the next higher integer if a remainder results.

SOURCE STATEMENT LIBRARY SIZE

Each track allocated to the source statement library contains 27 fixed-length blocks for the 2314/2319, 44 fixed-length

blocks for the 3330/3333, 26 fixed-length blocks for the 3340, or 55 fixed-length blocks for the 3350. Each block contains a maximum of 160 bytes of source statement information. The source statements are compressed before they are written out on the source statement library. This compression is performed by eliminating all blanks in each source statement. Several count bytes indicating the number of blanks eliminated are added to each statement before writing it in the source statement library. The number of tracks required for the source statement library can be calculated as follows:

1. Determine the number of statements (N) used to define a book. If the book is an edited macro definition produced by the assembler, determine the number of statements in the source format definition.

2. Determine the average compressed statement length (Ls) in the book. The compressed statement length approximately equals:

$$Ls = (L1+1) + \dots + (Ln+1) + 3$$

where each Ln is the number of bytes in each word of the source statement. For the macro sublibrary (sublibrary E) multiply the result by 1.2.

3. Determine the number of blocks (Bn) needed to hold the book:

$$Bn = \frac{N(Ls)}{160}$$

The value Bn is rounded to the next higher integer if a remainder results.

4. Determine the total number of blocks (Bt) required to hold all books in the library:

$$Bt = B1 + B2 + B3 + \dots + Bn$$

5. Determine the number of tracks (TSL) required to hold all of the books in the source statement library:

$$TSL = \frac{Bt}{n}$$

where n = 27 for the 2314/2319
 44 for the 3330/3333
 26 for the 3340
 55 for the 3350

The value TSL is rounded to the next higher integer if a remainder results.

- Determine the number of cylinders (CSL) required to hold the source statement library and source statement directory:

$$CSL = \frac{TSL+TSD}{n}$$

where n = 20 for the 2314/2319
19 for the 3330/3333
12 for the 3340
30 for the 3350

The value CSL is rounded to the next higher integer if a remainder results.

PROCEDURE LIBRARY SIZE

Each track allocated to the procedure library contains 40 fixed-length blocks for the 2314/2319, 61 fixed-length blocks for the 3330/3333, 34 fixed-length blocks for the 3340, or 72 fixed-length blocks for the 3350. Each block is 80 bytes long. A cataloged procedure consists of one or more consecutive blocks, each containing a control statement or data, in uncompressed card-image format. The first five blocks of the procedure library are save areas for currently uninterpreted overwrite statements (1 block/partition) that have already been read. The number of tracks required for the procedure library can be calculated as follows:

- Determine the number of blocks (B) for a procedure:

$$B = N$$

where N is the number of control statements and data cards in the procedure.

- Determine the total number of blocks (Bt) required to hold all the procedures in the library, and add 5 for the save areas:

$$Bt = B1 + B2 + B3 + \dots + Bn + 5$$

- Determine the number of tracks (TPL) required to hold all the procedure library:

$$TPL = \frac{Bt}{n}$$

where n = 40 for the 2314/2319
61 for the 3330/3333
34 for the 3340
72 for the 3350

The value of TPL is rounded to the next higher integer if a remainder results.

- Determine the number of cylinders (CPL) required to hold the procedure library and procedure directory:

$$CPL = \frac{TPD+TPL}{n}$$

where n = 20 for the 2314/2319
19 for the 3330/3333
12 for the 3340
30 for the 3350

The value of CPL is rounded to the next higher integer if a remainder results.

GENERAL CONTROL STATEMENT FORMAT

The librarian control statements are similar in format to statements processed by the assembler. The operation field must be preceded by one or more blanks. The operation field must begin to the right of column 1 and must be separated from the operand field by at least one blank position. The operand field is terminated by the first blank position. It cannot extend past column 71. Continuation statements are not recognized.

MAINT Program

This section describes the control statements that can be submitted to the MAINT program, which maintains the DOS/VS libraries. Except for the re-allocation functions which can only be used for system libraries, all control statements apply to both system and private libraries. For partition and library processing requirements related to the MAINT program, refer to DOS/VS System Management Guide.

To invoke the maintenance program, use the following job control statement:

```
// EXEC MAINT
```

One or more of the maintenance functions for one or more of the libraries can be requested within a single run:

- catalog
- condense
- delete
- reallocate
- rename
- update

Any number of phases, modules, books, or procedures can be acted upon in one run.

Note: When POWER/VS or any unending job is started with a cataloged procedure, the MAINT program will enter the wait state if another partition is attempting a maintenance function on the procedure library.

Therefore, no maintenance functions can be performed on the procedure library as long as a job executed from a procedure is active.

The following symbolic units must be assigned to perform maintenance functions on a private library:

SYSCLB for a private core image library
SYSRLB for a private relocatable library
SYSSLB for a private source statement library

If you want to perform maintenance functions on system libraries the corresponding private libraries must be unassigned. For examples of all the maintenance functions see Figure 20.

CATALOG

The catalog function, which adds elements to a library, except the core image library, uses the following control statements:
CATALR, CATALS, and CATALP.

For information on how to catalog a module to the core image library, see the Linkage Editor section, OPTION statement.

CATALR

The CATALR control statement is used to add a module to the relocatable library. The CATALR control statement is read from the device assigned to SYSIPT and is in the following format:

```
CATALR modulename [,v.m]
```

The operation field contains CATALR. The entry in the operand field, modulename, is the name by which the module is to be known to the control system. The modulename is one to eight characters, the first of which must not be an asterisk.

The optional entry in the operand field, v.m, specifies the change level at which the module is to be cataloged. v may be any decimal number from 0-127. m may be any decimal number from 0-255. If this operand is omitted, a change level of 0.0 is assumed.

A change level can be assigned only when a module is cataloged. The change level is displayed and punched by the service functions.

The statements composing the input for a module are described in the Linkage Editor section. The statements are:

1. PHASE
2. INCLUDE control statement (if appropriate)
3. ESD
4. TXT
5. RLD
6. REP
7. END
8. ENTRY

These statements are read from the device assigned to SYSIPT. All input is diagnosed by the linkage editor. The CATALR statement is recognized but ignored by the linkage editor. The END statement indicates end of module.

The ENTRY statement can only be used in a module that contains only linkage editor control statements and an END statement. The ENTRY statement must be the last control statement in the module, following the END statement.

Normally, modules in the relocatable library are output from a language translator. However, you can construct an artificial module of linkage editor control statements, referred to as a calling module. The following example illustrates a valid calling module:

```
PHASE PHNAM1,ROOT
INCLUDE MODULE1
PHASE PHNAM2,*
INCLUDE MODULE2
PHASE PHNAM3,PHNAM2
.
.
.
ENTRY CSECTNME
END
```

Operands in INCLUDE statements refer to modules in the relocatable library. If, for example, the preceding calling module is cataloged by the name BIGPROG, all modules referred to in BIGPROG can be link-edited by using the following control statements:

```
// OPTION CATAL
   INCLUDE BIGPROG
// EXEC LNKEDT
```

A calling module may consist only of INCLUDE statements. In this case, the PHASE statements would precede the included modules.

A ninth statement, SYM, can be in the linkage editor input. When recognized, however, it is bypassed by the linkage editor. (The SYM statement identifies the symbol table output by the assembler as a result of specifying SYM in the OPTION statement).

For the catalog function, SYSIPT must be assigned to a card reader, a tape unit, a disk unit, or a 3540 diskette. SYSLST must be assigned to a printer, a tape unit, a disk unit, or a 3540 diskette, and SYSLOG must not be assigned to a printer. If SYSIPT is assigned to a tape unit, the MAINT program assumes that the tape is positioned to the first input record. The tape is not rewound at the end of job.

Any number of modules can be cataloged in a single run. Each module must immediately follow its respective CATALR control statement.

An additional capability of the system allows for assembling or compiling a program and cataloging it to a relocatable library in one continuous run. This is done by inserting a CATALR statement in the job control input stream preceding the phase statement (if present) and the assembler/compiler execute statement. The CATALR statement is written on the SYSPCH file, if SYSPCH is assigned, (on tape, DASD, or 3540 diskette) ahead of the assembler/compiler output. Then reassign the SYSPCH file as SYSIPT and execute the MAINT program to perform the catalog function. The output of the assembly/ compilation (on tape or DASD, or 3540 diskette) may be cataloged immediately or it may be cataloged at some later time. It can also be held after cataloging as backup of the assembly/compilation.

CATALS

The CATALS control statement is used to add a book to a sublibrary of the source statement library. It is read from the device assigned to SYSIPT and is in the following format.

```
CATALS sublib.bookname[,v.m[,C]]
```

sublib in the operand field represents the sublibrary to which the book is to be cataloged and can be any alphameric character (0-9, A-Z, #, \$, and @), representing source statement sublibraries.

The sublib qualifier is required. If omitted, the operand is flagged as invalid and no processing is done on the book.

bookname in the operand field represents the name of the book to be cataloged. The bookname is one to eight alphameric characters (0-9, A-Z, #, \$, and @), the first of which must be alphabetic (A-Z, #, \$, and @).

The first optional entry in the operand field, v.m, specifies the change level at which the book is to be cataloged. v may be any decimal number from 0-127. m may be any decimal number from 0-255. If this operand is omitted, a change level of 0.0 is assumed. The change level is displayed and punched by the service functions.

The second optional entry in the operand field, C, indicates that change level verification is required before updates are accepted for this book, providing the v.m operand is present on the update card (see UPDATE control statement for the MAINT program). This requirement is reflected in the DSERV output by a C appearing in the column headed LEV CHK (level check).

Books that are to be cataloged in a sublibrary of the source statement library must be preceded and followed by special statements indicating the beginning and the end of a book.

Macro definitions that are to be cataloged in the assembler sublibrary are preceded by the MACRO statement and are followed by the MEND statement. MACRO is the standard macro definition header statement; MEND is the standard macro definition trailer statement.

When books to be retrieved by the assembler COPY statement are to be cataloged to the assembler sublibrary, the assembler END statement should not be included in the book. (Assembler does not recognize END statements from the source statement library.)

BKEND

Books other than macro definitions that are to be cataloged in the source statement library are preceded and followed by a BKEND statement. A BKEND statement must precede each book, and a BKEND statement must follow each book. If desired, the BKEND statement may precede and follow a macro definition (in addition to the MACRO and MEND statements). This is desirable when the options provided in the BKEND statement are required. The statement is in the following format.

```
BKEND [sub.book],[seq-chk],[count],[CMPRSD]
```

The entry in the operation field is BKEND. All operand entries are optional. When used, the entries must be in the prescribed order, and need appear only in the BKEND statement preceding the book to be cataloged. The first entry in the operand field, sub.book, is identical to the

operand of the CATALS control statement. The second operand seq-chk specifies that sequence checking is required. Which columns will be checked depends on how this operand is specified. Columns 73-78 will be checked if SEQNFS is specified. Columns 77-80 will be checked if SEQNCE is specified. The count operand specifies the number of card images in the book. When used, the card input is counted, beginning with the preceding BKEND statement and including the following BKEND statement. If an error is detected in either the sequence checking or the card count, an error message is printed. The error can be corrected, and the book can be recataloged. The CMPRSD operand indicates that the book to be cataloged in the library is in the compressed format, output as a result of specifying CMPRSD when performing a PUNCH or DSPCH service function.

Cataloged source modules requiring subsequent updating should contain sequence numbers (in ascending order) in the appropriate columns.

For the catalog function SYSIPT must be assigned to a card reader, a tape unit, a disk unit, or a 3540 diskette. SYSLST must be assigned to a printer, a tape unit, a disk unit, or a 3540 diskette, and SYSLOG must not be assigned to a printer.

Any number of books may be cataloged in a single run. Each book must immediately follow its respective CATALS control. The function can also delete an entire sublibrary or an entire library.

When input to either the CATALP or the CATALS statements includes a // JOB statement, under POWER/VIS the entire MAINT job should be enclosed in * \$\$ JOB and * \$\$ EOJ statements.

CATALP

The CATALP control statement is used to add a procedure to the procedure library. Any number of procedures may be cataloged in a single run. Each procedure must immediately follow the respective CATALP statement.

Statement Format:

```
CATALP procedurename [,VM=v.m] [,EOP=yy]
      [,DATA=NO
        YES]
```

Each control statement in the procedure library should have a unique identity.

This identity is required if you want to modify the job stream at execution time. Therefore, when cataloging, identify each control statement in columns 73-79 (blanks may be embedded).

procedurename

represents the name of the procedure to be cataloged. The procedurename consists of one to eight alphabetic and/or numeric characters. The name of the procedure must not be ALL and must not begin with \$\$ or with a numeric character.

Procedurenames can be related to the partition in which the procedure is intended to be run. A partition-related procedurename must follow these conventions:

\$B for the BG partition
 \$1 for the F1 partition
 \$2 for the F2 partition
 \$n for the Fn partition (Where Fn is the highest numbered foreground partition in the system.)

VM=v.m specified the change level at which the procedure is to be cataloged. v may be any decimal number from 0-127. m may be any decimal number from 0-255. If this operand is omitted, a change level of 0.0 is assumed.

A change level can be assigned only when a procedure is cataloged. The change level is displayed and punched by the service functions.

EOP=yy specifies a two-character end-of-procedure delimiter. The EOP parameter can be any combination of characters except /*, /&, //; it must not contain a blank or a comma. The system assumes /+ as default end-of-procedure delimiter. Otherwise, you can omit the EOP parameter.

DATA=YES specifies that a procedure contains SYSIPT inline data. These procedures can only be executed in the extended procedure support.

A procedure to be cataloged into the procedure library may consist of job control and linkage editor statements and, if the supervisor was generated with the SYSFIL option, any additional SYSIPT data which must be processed under control of a device-independent sequential IOCS module (for instance, control statements for

utility programs and service programs, source statements for compilers and object modules for the linkage editor). The end of a procedure is indicated by the /* end-of-procedure delimiter or by the end-of-procedure delimiter as specified in the EOP parameter.

For the catalog function SYSLST must be assigned to a printer, a tape unit, a disk unit, or a 3540 diskette, and SYSLOG must not be assigned to a printer. If SYSIPT is assigned to a tape unit, the MAINT program assumes that the tape is positioned to the first input record. The tape is not rewound at end-of-job.

A sample job stream follows.

```
// JOB CATPROC
.
.
ASSGN control statement,
if required
.
.
// EXEC MAINT
CATALP PROCA,EOP=/$,DATA=YES
.
.
control statements
.
.
SYSIPT inline data
.
.
/* END OF SYSIPT DATA
.
.
control statements
.
.
/$ END OF PROCEDURE
/&
```

The following restrictions apply when you catalog procedures to the procedure library:

1. A cataloged procedure cannot contain control statements or SYSIPT data for more than one job.
2. If the cataloged control statements include the JOB statement, you must not have a JOB statement when you retrieve the procedure through the EXEC statement.
3. A cataloged procedure with DATA=YES must not include either of the following statements or commands:

```
[//] RESET SYS
[//] RESET ALL
```

In addition, it must not include any of the following statements or commands for SYSIN, SYSRDR, or SYSIPT:

```
[//] ASSGN
[//] CLOSE
[//] RESET
[/&]
```

4. A cataloged procedure with DATA=NO must not include either of the following statements or commands:

```
[//] RESET SYS
[//] RESET ALL
```

In addition, it must not include any of the following statements or commands for SYSIN or SYSRDR:

```
[//] ASSGN
[//] CLOSE
[//] RESET
[/&]
```

5. Cataloged procedures cannot be nested, that is, a cataloged procedure cannot contain an EXEC statement that invokes another cataloged procedure.
6. When a procedure being cataloged, under POWER/VIS, includes a // JOB statement the entire MAINT job should be enclosed in * \$\$ JOB and * \$\$ EOJ statements.
7. When POWER/VIS or any unending job is started with a cataloged procedure, the MAINT program will enter the wait state if another partition is attempting a maintenance function on the procedure library. Therefore, no maintenance functions can be performed on the procedure library as long as a job executed from a procedure is active.

DELETE

The delete function, which removes references to specific elements of a library, uses the following control statements:

```
DELETC, DELETR, DELETS, DELETP.
```

DELETC

The DELETC control statement in one of the following formats is used to delete phases or programs from the core image library.

```
DELETC phasename1[,phasename2,...]
DELETC prog1.ALL[,prog2.ALL,...]
DELETC ALL
```

In the first format, the entry in the operation field is DELETC. phasename in the operand field represents the name(s) of the phase(s) to be deleted. The name of the phase may be a maximum of eight characters. Entries in the operand field must be separated by commas.

In the second format, prog refers to the first four characters of the program name. (All phases within a program have the same first four characters. Therefore, the first four characters of each program within the library should be unique.) The four characters are followed by a period and ALL.

The third format is used if the entire library is to be deleted. The entry in the operation field is DELETC. The entry in the operand field is ALL. When this function is performed, the system status record is reset to show that all library blocks are now available to the system. Therefore, it is unnecessary to perform a condense function after a DELETC ALL has been performed. DELETC ALL is valid for private libraries only.

Any number of DELETC control statements can be used for the core image library within a single run.

For the delete function, SYSIPT must be assigned to a card reader, a tape unit, a disk unit, or a 3540 diskette. SYSLST must be assigned to a printer, a tape unit, a disk unit, or a 3540 diskette, and SYSLOG must not be assigned to a printer.

DELETR

The DELETR control statement in one of the following formats is used to delete a module from the relocatable library.

```
DELETR modname[,modname,...]
```

```
DELETR prog1.ALL[,prog2.ALL,...]
```

```
DELETR ALL
```

The first format is used when a specific module is to be deleted, and must always be used when deleting DIMODS. The entry in the operation field is DELETR. The entry in the operand field, modname, is the name of the module to be deleted. If more than one module is to be deleted, the module names are separated by a comma. modname is one to eight characters, the first of which must not be an asterisk.

The second format is used when an entire program is to be deleted. The entry in the operation field is DELETR. In the operand field, prog refers to the first three characters of the modules used to build the program. (All IBM-supplied modules in the relocatable library making up a program have the same first three characters, such as IPK for the assembler and IJS for COBOL.) The three characters are followed by a period and ALL.

The third format is used if the entire library is to be deleted. The entry in the operation field is DELETR. The entry in the operand field is ALL. When this function is performed, the system status record is reset to show that all library blocks are now available to the system. Therefore, it is unnecessary to perform a condense function after a DELETR ALL has been performed.

Any number of DELETR control statements can be used for the relocatable library within a single run.

For the delete function, SYSIPT must be assigned to a card reader, a tape unit, a disk unit, or a 3540 diskette. SYSLST must be assigned to a printer, a tape unit, a disk unit, or a 3540 diskette, and SYSLOG must not be assigned to a printer.

DELETS

The DELETS control statement is used to delete books from the source statement library. The control statement is in one of the following formats.

```
DELETS sublib.book1[,sublib.book2,...]
```

```
DELETS sublib.ALL
```

```
DELETS ALL
```

The first format is used if only specific books are to be deleted. The entry in the operation field is DELETS. The qualifier sublib in the operand field represents the sublibrary containing the book to be deleted and can be any alphameric character (0-9, A-Z, #, \$, and @), representing source statement sublibraries.

The sublib qualifier is required. If omitted, the operand is flagged as invalid and no processing is done on the book.

book in the operand field represents the name of the book in the sublibrary to be deleted. If more than one book is to be deleted, the entries must be separated by commas. If books to be deleted are in the same sublibrary, subsequent book names need

not be qualified. (The librarian assumes that nonqualified books are in the last sublibrary specified.) The name of the book can be of any length; however, a maximum of the first eight characters is used to locate and delete the book. Continuation statements are not recognized.

The second format is used if an entire sublibrary is to be deleted. The entry in the operation field is DELETS. The first entry in the operand field is the name of the sublibrary to be deleted. The qualifier sublib represents the sublibrary containing the book to be deleted and can be any alphameric character (0-9, A-Z, #, \$, and @), representing source statement sublibraries.

The sublib qualifier is required. If omitted, the operand is flagged as invalid and no processing is done on the sublibrary.

The second entry in the operand field is ALL. The two entries must be separated by a period.

The third format is used if the entire source statement library is to be deleted. The entry in the operation field is DELETS. The entry in the operand field is ALL. When this function is performed, the system status record is reset to show that all library blocks are now available to the system. Therefore, it is unnecessary to perform a condense after a DELETS ALL has been performed.

For the delete function, SYSIPT must be assigned to a card reader, a tape unit, a disk unit, or a 3540 diskette. SYSLST must be assigned to a printer, a tape unit, a disk unit, or a 3540 diskette, and SYSLOG must not be assigned to a printer.

DELETP

The DELETP control statement in one of the following formats is used to delete a procedure from the procedure library:

```
DELETP procedurename[,procedurename,...]  
DELETP ALL
```

procedurename

specifies the name of the procedure to be deleted. If more than one procedure is to be deleted, the names are separated by commas. The procedure name is one to eight alphameric characters, the first of which must be alphabetic or \$.

ALL specifies that the entire library is to be deleted. After a DELETP ALL has been performed, the system status record is reset to show that all library blocks are now available to the system. Therefore, it is unnecessary to perform a condense function after a DELETP ALL has been performed.

Any number of DELETP control statements can be used for the procedure library within a single run.

For the delete function, SYSIPT must be assigned to a card reader, a tape unit, a disk unit, or a 3540 diskette. SYSLST must be assigned to a printer, a tape unit, a disk unit, or a 3540 diskette, and SYSLOG must not be assigned to a printer.

RENAME

The rename function, which changes the name of an element in a library uses the following control statements:

```
RENAMC, RENAMR, RENAMS, RENAMP.
```

RENAMC

The RENAMC control statement is used to change the name of a phase in the core image library to another name. If the new name is already in the directory or an old name is not in the directory, an error message is issued. On a valid pair of operands, the new name simply replaces the old name in the directory; the version and modification levels are not changed. In either case, a check is then made for more operands on the statement. As soon as the /% statement is processed, only the new phase names exist in the directory. The RENAMC statement is in the following format.

```
RENAMC oldname,newname[,oldname,newname,...]
```

The operation field contains RENAMC. The operand field entries, oldname and newname, represent the old phase name and the new phase name. The two entries in the operand field must be separated by a comma. The names in the operand field may be a maximum of eight characters. Note: ALL is an invalid phase name.

Any number of RENAMC control statements can be used for the core image library within a single run.

For the rename function, SYSIPT must be assigned to a card reader, a tape unit, a disk unit, or a 3540 diskette. SYSLST must

be assigned to a printer, a tape unit, a disk unit, or a 3540 diskette, and SYSLOG must not be assigned to a printer.

RENAMR

The RENAMR control statement is used to change the name of a module in the relocatable library to another name. If the new name is already in the directory or an old name is not in the directory, an error message is issued. On a valid pair of operands, the new name simply replaces the old name in the directory; the version and modification levels are not changed. In either case, a check is then made for more operands on the statement. As soon as the statement is processed, the system recognizes only the new module name. The RENAMR statement is in the following format:

```
RENAMR oldname,newname[,oldname,newname,...]
```

The operation field contains RENAMR. The entries in the operand field, oldname and newname, represent the old module-name and the new module-name, respectively, and are separated by a comma. oldname and newname are one to eight characters, the first of which must not be an asterisk.

Any number of RENAMR control statements can be used for the relocatable library within a single run.

For the rename function, SYSIPT must be assigned to a card reader, a tape unit, a disk unit, or a 3540 diskette. SYSLSM must be assigned to a printer, a tape unit, a disk unit, or a 3540 diskette, and SYSLOG must not be assigned to a printer.

RENAMS

The RENAMS control statement is used to change the name of a book in the source statement library to another name. If the new name is already in the directory or an old name is not in the directory, an error message is issued. On a valid pair of operands, the new name simply replaces the old name in the directory; the version and modification levels are not changed. In either case, a check is then made for more operands on the statement. As soon as the statement is processed, the system recognizes only the new book name. The RENAMS statement is in the following format.

```
RENAMS sublib.oldname,sublib.newname  
[,sublib.oldname,sublib.newname,...]
```

The operation field contains RENAMS. The qualifier sublib in the operand field

represents the sublibrary containing the book to be renamed and can be any alphameric character (0-9, A-Z, #, \$, and @), representing source statement sublibraries.

The sublib qualifier is required. If omitted, the operand is flagged as invalid and no processing is done on the sublibrary.

oldname and newname represent the old book name and the new book name. If newname is omitted, the name is assumed to be the same as for the oldname. The entries in the operand field must be separated by commas. The names in the operand field can be of any length; however, only a maximum of the first eight characters is used by the system to locate and rename the book.

The DOS/VS assemblers flag any reference to a macro in the source statement library as an UNDEFINED OPERATION CODE if the cataloged name of the macro is not identical to the operation code in the macro prototype statement. The assemblers locate macros in the source statement library by the cataloged name, but thereafter use the operation code of the macro prototype statement for identification.

Any number of RENAMS control statements can be used for the source statement library within a single run.

For the rename function, SYSIPT must be assigned to a card reader, a tape unit, a disk unit, or a 3540 diskette. SYSLSM must be assigned to a printer, a tape unit, a disk unit, or a 3540 diskette, and SYSLOG must not be assigned to a printer.

RENAMP

The RENAMP control statement is used to change the name of a procedure in the procedure library to another name. If the new name is already in the directory or an old name is not in the directory, an error message is issued. On a valid pair of operands, the new name simply replaces the old name in the directory; the version and modification levels are not changed. In either case, a check is then made for more operands in the statement. As soon as the statement is processed, the system recognizes only the new module name. The RENAMP statement is in the following format:

```
RENAMP  
oldname,newname[,oldname,newname,...]
```

oldname, represent the old procedure name
 newname followed by the new procedure
 name. The procedure names are
 from one to eight alphameric
 characters, the first of which
 must be alphabetic or \$. They
 must not be ALL.

Any number of RENAMP control statements can
 be used for the procedure library within a
 single run.

For the rename function, SYSIPT must be
 assigned to a card reader, a tape unit, a
 disk unit, or a 3540 diskette. SYSLST must
 be assigned to a printer, a tape unit, a
 disk unit, or a 3540 diskette, and SYSLOG
 must not be assigned to a printer.

CONDENSE

The condense function eliminates vacancies,
 resulting from delete or catalog functions.
 The condense function is used when a number
 of vacancies have accumulated within the
 library. Condense is requested via the
 control statement:

CONDS -- condenses any or all of the
 libraries

But certain conditions have to be fulfilled
 before a condense can be performed.

- The system core image library and any
 relocatable and source statement
 libraries can only be condensed from the
 background partition. These libraries
 also cannot be condensed if any
 foreground partition is active.
- A private core image library may be
 condensed in any partition provided it
 is assigned exclusively to that
 partition.
- The procedure library can be condensed
 in the background partition unless it is
 being accessed by the job control
 program in another partition or a
 procedure is being excuted. Thus, a job
 stream to condense the procedure library
 can not be cataloged.

Note for POWER/VS users: Even though
 POWER/VS may not be doing any work, if it
 is resident in a partition, the partition
 is considered to be active.

A summary of where a condense can be
 performed is shown in Figure 13.

CONDS

The CONDS control statement, in the
 following format, is used to condense the
 core image library:

CONDS CL

The operation field contains CONDS. The
 operand field contains CL. The relocatable
 library, the source statement library,
 and/or the procedure library can also be
 condensed in this run. If this is desired,
 the entry RL (for the relocatable library),
 SL (for the source statement library), and
 PL (for the procedure library) can appear
 in the operand field. Multiple entries in
 the operand field are separated by commas.

The CONDS statement, in the following
 format, is used to condense the relocatable
 library:

CONDS RL

The CONDS statement, in the following
 format, is used to condense the source
 statement library:

CONDS SL

The CONDS statement, in the following
 format, is used to condense the procedure
 library:

CONDS PL

For the condense function, SYSIPT must be
 assigned to a card reader, a tape unit, a
 disk unit, or a 3540 diskette. SYSLST must
 be assigned to a printer, a tape unit, a

	Core Image		Relocatable		Source Statement		Procedure (system)
	System	Private	System	Private	System	Private	
CONDS	BG if FG is inactive.	Partition to which the PCIL is assigned	BG if FG is inactive				BG if not being accessed by job control or if a procedure is not being executed

Figure 13. When can Condense be Performed

disk unit, or a 3540 diskette, SYSLOG must not be assigned to a printer.

Condense Limit (CONDL)

The CONDL control statement is used to initiate a message to the operator if, on a maintenance, copy, or linkage editor run, the number of blocks available in a library is less than the number specified by the parameter of the CONDL statement. The system interrogates the parameter at the completion of each of these functions for the library. If a condense function is to be performed, a message appears on SYSLOG to inform the operator that the library is to be condensed. This, however, can only take place under the conditions mentioned for the CONDS statement.

The CONDL control statement (as opposed to the CONDS control statement for a user-specified condense function) informs the MAINT librarian program that a parameter to specify a condense limit is to be set. The CONDL control statement has the following format:

```
CONDL lib=nnnn[,lib=nnnn,...]
```

In the operand field, the entry lib is CL for the core image library, RL for the relocatable library, SL for the source statement library, and PL for the procedure library. The entry nnnn represents the number of blocks specified for the specific library and is from one to five decimal digits. The maximum value of nnnn is 65535. Each track of the core image library contains 3 blocks on the 2311 (private core image library only), 6 blocks on the 2314/2319, 11 blocks on the 3330/3333, 7 blocks on the 3340, or 15 blocks on the 3350. Each track of the relocatable library contains 16 blocks on the 2314/2319, 28 blocks on the 3330/3333, 17 blocks on the 3340, or 37 fixed-length blocks on the 3350. Each track of the source statement library contains 27 blocks on the 2314/2319, 44 blocks on the 3330/3333, 26 blocks on the 3340, or 55 blocks on the 3350. Each track of the procedure library contains 40 blocks on the 2314/2319, 61 blocks on the 3330/3333, 34 blocks on the 3340, or 72 blocks on the 3350.

If 0 (zero) is specified for nnnn, no message is issued.

The condense limits are displayed with the system status on a DSERV and at the end of a maintenance job. The status report will also contain an indication for each library when the condense limit has been reached. (Message: "library-name LIBRARY HAS REACHED CONDENSE LIMIT").

REALLOCATE

With the reallocation function you can redefine the number of tracks and cylinders allotted to any or all of the four system libraries and their directories. Each library that is reallocated is automatically condensed. The reallocation function is invoked by the ALLOC control statement (not to be confused with the job control statement ALLOC for the allocation of partition space).

ALLOC

The ALLOC control statement has the following format:

```
ALLOC CL=cylin(tracks),RL=cylin(tracks),  
      SL=cylin(tracks),PL=cylin(tracks)
```

The operand field contains a sequence of library identifiers and their numbers of cylinders (and tracks). The library identifiers are as follows:
CL = core image library and directory
RL = relocatable library and directory
SL = source statement library and directory
PL = procedure library and directory.

All operands of the ALLOC statement are required. If a specific library is not present, an allocation of 0(0) must be supplied.

The entry, cylin, in the operand field refers to the number of cylinders that contain the specified library. The entry, track, is enclosed within parentheses and refers to the number of tracks that contain the specified library directory. The tracks allocated to the directory are contained in the cylinders allocated to the library. The keyword operands are separated by a comma.

For the reallocation function, SYSIPT must be assigned to a card reader, a tape unit, a disk unit, or a 3540 diskette. SYSLST must be assigned to a printer, a tape unit, or a disk unit, or a 3540 diskette, and SYSLOG must not be assigned to a printer.

If message 4n44A comes up due to a change in the label set when reallocating SYSRES, type DELETE on SYSLOG. The job continues using new extents.

UPDATE

The update function updates identified statements within a book of a source statement library. It uses the control statement UPDATE which in turn is controlled by the sub-control statements) ADD,) DEL,) REP, and) END.

UPDATE

The UPDATE control statement has the following format:

```
UPDATE sublib.bookname, [s.book1], [v.m], [nn]
```

The operation field contains UPDATE.

sublib in the operand field represents the sublibrary that contains the book to be updated. It may be any of the characters A-Z, 0-9, \$, @, or #.

bookname represents the book that is to be updated in the sublibrary.

s.book1 in the operand field provides a temporary update option. The old book is renamed s.book1 and the updated book is named sublib.bookname. s indicates the sublibrary that contains the old, renamed book. It may be one of the characters A-Z, 0-9, \$, @, or #. If this operand is not specified, the old book is deleted.

v.m represents the change level of the book to be updated. v may be any decimal number from 0-127. m may be any decimal number from 0-255. This operand must be present if change level verification is to be done, and it must correspond to the change level in the book's directory entry. If the change level is verified, the change level in the book's directory entry is increased by 1 for verification of the next update. If m is at its maximum value and an update is processed, m is reset to 0 and the value of v is increased by 1.

If both v and m are at their maximum values and an update is processed, both v and m are reset to zeros. If the directory entry specifies that change level verification is not required before updating, the change level operand in the statement is ignored. Use of the optional entry C in the CATALS control statement at the time the book is cataloged to the library determines if change level verification is required before updating.

nn in the operand field represents the resequencing status required for the update. nn may be a one- or two-character decimal number from 1-10, or it may be the characters FS or the word NO. If nn is a decimal number, it represents the increment that will be used in resequencing the statements in the book. For books supplied by IBM since Release 28, nn must be FS (fixed sequence). When nn is FS, no resequencing can be performed. If nn is NO, the statements will not be resequenced. If nn is not specified, the statements will be resequenced with an increment of 1. When a book is resequenced, the sequence number of the first statement is taken to be 0000.

Resequencing of a source book may be accomplished during an update as stated above, or simply with the submission of the UPDATE and END statements.

Note: See the section CATALS for additional information about sequence numbering of books in a source statement library.

The UPDATE control statement is followed by ADD, DEL (delete), and/or REP (replace) control statements as required. Each ADD or REP statement is followed by source statements that are to be added to the book. The update section is terminated by an END statement. The ADD, DEL, REP, and END statements are identified as update control statements by a right parenthesis in the first position (column 1 in card format). The second position is blank. This is a variation from the general librarian control statement format, but it clearly identifies these control statements as part of the update function.

ADD

The ADD statement is used for the addition of source statements to a book. The format is:

```
) ADD seq-no
```

ADD indicates that source statements following this statement are to be added to the book.

seq-no represents the sequence number of the statement in the book after which the new statements are to be added. It may be any decimal number from one to four characters in length (columns 77-80). If FS was specified in the UPDATE control statement for nn, seq-no may be any decimal number from one to six characters in length (columns 73-78). (Columns 79-80 of IBM-supplied books contain the release number.) If FS was specified, also note that the seq-no of the first and only the first) ADD statement may be zero. In this case, the source statements that follow are added in front of the first source statements of the book (provided that their sequence numbers are lower than those of the first source statements in the book).

DEL

The DEL statement causes the deletion of source statements from the book. The format is:

```
) DEL first-seq-no[,last-seq-no]
```

DEL indicates that statements are to be deleted from the book.

first-seq-no and last-seq-no represent the sequence numbers of the first and last statements of a section to be deleted. Each number may be any decimal number from one to four characters in length (columns 77-80). If FS was specified in the UPDATE control statement, each number may be any decimal number from one to six characters in length (columns 73-78). **Note:** The first-seq-no must not be zero if FS is used. If last-seq-no is not specified, the statement represented by first-seq-no is the only statement deleted.

To delete an entire book, use the DELETS function.

REP

The REP statement is used when replacement of source statements in a book is required. The format is:

```
) REP first-seq-no[,last-seq-no]
```

This indicates that source statements following the REP statement are to replace existing source statements in a book.

first-seq-no and last-seq-no represent the sequence numbers of the first and last statements of a section to be replaced. Each number may be a decimal number from one to four characters in length (columns 77-80). If FS was specified in the UPDATE control statement, each number may be any decimal number from one to six characters in length (columns 73-78). **Note:** The first-seq-no must not be zero if FS is used. Any number of new statements can be added to a book when a section is replaced. (The number of statements added need not equal the number of statements being replaced.)

To replace an entire book, use the DELETS and CATALS functions.

If FS was not specified in the UPDATE control statement, sequence number 9999 is the highest number acceptable for a statement to be updated. If the book is so large that statement sequence numbers have wrapped around to zeros, it is not possible to update.

If FS was specified in the UPDATE control statement, 999999 is the maximum. In this case, 999999 need not be an actual sequence number. Specifying 999999 as the last-seq-no in) DEL or) REP cards indicates that the source statements

beginning with the first-seq-no and up to and including the last source statement of the book are to be deleted or replaced.

If FS was specified in the UPDATE control statement, any source statement following the) ADD or) REP control statement should have the following format:

Columns

- 1-72 contain any user's source statement.
- 73-78 must contain a sequence number which must be greater than the sequence number after which it is inserted, and less than the subsequent sequence number.
- 79-80 may contain any character including blanks.

Note: If source code following) ADD or) REP contains blanks in columns 73-78, the sequence number of that source code will be defaulted to the previous sequence number plus one, and columns 79/80 will be filled in by **.

If FS was not specified in the UPDATE control statement, any source statement following the) ADD or) REP control statement should have the following format:

Columns

- 1-72 contain any user's source statement.
- 73-76 contain a program identifier.
- 77-80 may contain a sequence number. If used, each number must be greater than the sequence number after which it is inserted, and less than the subsequent sequence number.

Note: See the section CATALS for additional information about sequence numbering books in a source statement library.

END

This statement indicates the end of an update to a book. The format is:

```
) END [v.m[,C]]
```

END indicates the end of updates to a book.

The v.m operand provides another means of explicitly setting the change level of a book in the library. (The other way is through the use of the v.m operand in the

CATALS statement.) v may be any decimal number from 0-127. m may be any decimal number from 0-255.

C indicates that change level verification is required before updates are accepted for this book, providing the v.m operand is present on the update card (see UPDATE control statement for the MAINT program). This requirement is reflected in the DSERV output by a C appearing in the column headed LEV CHK (level check).

If v.m is specified and C is omitted, the book does not require change level verification before a subsequent update. This feature removes a previously specified verification requirement for a particular book.

If both optional operands are omitted, and change level verification was required for this update, the change level in the book's directory entry is increased, as the result of the update, and the verification requirement remains unchanged.

UPDATE FUNCTION INVALID OPERAND DEFAULTS

For the UPDATE Statement:

1. If the first or second operand is invalid, the statement is flagged, the book is not updated, and the remaining control statements are checked for validity.
2. If change level verification is required and the wrong change level is specified, the statement is flagged, the book is not updated, and the remaining control statements are checked for validity.
3. If the resequencing operand is invalid, resequencing is done in increments of 1. The job will be canceled if FS was required.

For the ADD, DEL, or REP Statements:

1. If there is an invalid operation or operand in an ADD, DEL, or REP statement, the statement is flagged, the book is not updated, and the remaining control statements are checked for validity. All options of the UPDATE and END statements are ignored.
2. The second operand must be greater than the first operand in a DEL or REP statement. If not, the statement is considered invalid, it is flagged, the book is not updated, and the remaining

control statements are checked for validity. If a second operand is present on an ADD statement, it is flagged as an invalid operand and ignored. The book is updated and normal processing continues. All options of the UPDATE and END statements are ignored.

3. All updating to a book between an UPDATE statement and an END statement must be in ascending sequential order of statement sequence numbers. The first operand of a DEL or REP statement must be greater than the last operand of the preceding control statement. The operand of an ADD statement must be equal to or greater than the last operand of the preceding control statement. Consecutive ADD statements must not have the same operand. If these conditions are not met, the default is the same as for items 1 and 2.

For the END Statement:

If the first operand of the END statement is invalid, the statement is flagged, both operands are ignored, and the book is updated as though no operands were present. If the second operand is invalid, the statement is flagged, the operand is ignored, and the book is updated as though the second operand was not specified.

For Out-of-Sequence Updates:

If FS was specified in the UPDATE control statement, the source statements to be added to a book must be in sequence; otherwise, the book is not updated and the remaining control statements are checked for validity. If the source statements to be added do not contain sequence numbers, the sequence number will be defaulted to the previous sequence number plus one, and columns 79-80 will be filled by **.

If FS was not specified in the UPDATE control statement, and if the source statements to be added to a book are not in sequence, or do not contain sequence numbers, the book is updated and a message indicating the error appears following the END statement. If the resequencing option has been specified in the UPDATE statement, the book is sequenced by the specified value and subsequent updating is possible. If the resequencing option is not specified, the book is resequenced in increments of 1 and subsequent updating is possible. If the resequencing option NO is specified, the updated book is not in sequence and subsequent updating may not be possible.

For the update function, SYSIPT must be assigned to a card reader, a tape unit, a disk unit, or a 3540 diskette. SYSLST must be assigned to a printer, a tape unit, a disk unit, or a 3540 diskette, and SYSLOG must not be assigned to a printer.

If no resequencing has been specified, only the old ID and sequence numbers of the statements involved are indicated.

UPDATE Function - Activity Log: The UPDATE function provides a log, on SYSLST, of all update activity to books in the source statement library. The log indicates the operation performed and all operands of the update control statements. It also shows the contents of the source statements affected, including the old program identification and sequence number, the new program identification and sequence number, and the update activity involved. Figures 14, 15, and 16 show examples of UPDATE job streams and an UPDATE activity log.

```

// JOB UPDATE
// EXEC MAINT
  UPDATE A.TESTCASE
) REP 0032
  OPTNFND CLC 0(1,REGG),BLANKS
) REP 0039,0044
  OPTNCHK CLC 0(5,REGG),=C'PUNCH'
              BE PUNCH
              CLC 0(5,REGG),=C'DSPCH'
) ADD 0052
  PUNCH MVI SWITCH,C'X'
              B CHKOPND
) DEL 0134,0135
) END
/*

```

Figure 14. Example 1 of an Update Job Stream

UPDATE A.TESTCASE					
) REP 0032	OPTNFND CLI 0(REGG),C' '		A4530032		
	OPTNFND CLC 0(1,REGG),BLANKS		A4530032	A4530027	REPLACEMENT
) REP 0039,0044	OPTNCHK CLC 0(5,REGG),PUNCHOP		A4530039		
	BNE CHKDSP		A4530040		
	MVI SWITCH,C'X'		A4530041		
	B CHKOPND		A4530042		
CHKDSP CLC 0(5,REGG),DSPCHOP			A4530043		
	BNE MSGLOG		A4530044		
OPTNCHK CLC 0(5,REGG),=C'PUNCH'			A4530039	A4530034	REPLACEMENT
	BE PUNCH		A4530040	A4530035	REPLACEMENT
	CLC 0(5,REGG),=C'DSPCH'		A4530041	A4530036	REPLACEMENT
) ADD 0052	B MSGLOG		A4530052	A4530044	RESEQUENCED
PUNCH MVI SWITCH,C'X'			A4530053	A4530045	ADD
	B CHKOPND		A4530054	A4530046	ADD
) DEL 0134,0135	DSPCHOP DC C'DSPCH'		A4530134		DELETE
	PUNCHOP DC C'PUNCH'		A4530135		DELETE
) END					

Figure 15. Update Activity Log for Job Stream 1

```

col. 1                                     col. 73-80
// EXEC MAINT
  UPDATE Z.TESTBOOK,Z.SAVEBOOK,,FS
) ADD 24310
  CLC SEXTNT(4),ZERO          SSL ALLOCATED 024313AS
  BE IGNORE                  NO          024316AS
) REP 25430
  BCT WRKREG2,LOOP          LOOP TWICE 025430
) DEL 26210,26230
) END
/*

```

Figure 16. Example 2 of an Update Job Stream

EXAMPLE OF HOW TO UPDATE AN IBM-SUPPLIED BOOK AND SAVE THE ORIGINAL

A book in the sublibrary Z named TESTBOOK has to be updated temporarily. The old book is to be renamed: SAVEBOOK. Two statements are to be added after the source statement with sequence number (columns 73-78): 024310. One statement with sequence number 025430 is to be replaced. Three subsequent statements with sequence numbers: 26210, 26220, 26230 are to be deleted.

CORGZ Program

This section describes the control statements that can be submitted to the copy program (CORGZ). Examples of the control statements required for the program functions are given in Figure 22.

Note: The library-compare and copy-select functions of the COPYSERV program are now provided by the COPYx NEW function of the CORGZ program, and the COPYSERV program is removed from DOS/VS. Integrating these COPYSERV functions in CORGZ eliminates the need for an extra job when two libraries are to be merged. When the COPYx NEW function is used, the destination library must have sufficient space allocated to accommodate all the library elements.

This program performs the following operations, individually or in combination:

1. Defines and/or creates a new system pack.
2. Defines and/or creates private libraries.
3. Transfers all or some elements between libraries of the same type, or only such elements which do not yet exist in the destination (TO) library.

To invoke the CORGZ program, use job control statement: // EXEC CORGZ

Associated with this EXEC statement are one or more of three independent copy control statements (ALLOC, NEWVOL, and MERGE) and a choice of six copy statements (COPY, COPYC, COPYS, COPYR, COPYP, and COPYI.)

ALLOC

The ALLOC statement defines the libraries on a new system resident pack. If this statement is omitted, or if any of the libraries is not allocated in the statement, the job is canceled. If no assignments for a particular library are to be made, the assignment should nevertheless be included with a zero allocation. A zero allocation is not possible for the system core image library. The directory

allocation for the CIL is at least two tracks: one directory for cataloged phases and one directory for linked phases. (The first two tracks of the system residence file should be taken into account for the number of cylinders allocated to the SCIL. These two tracks are used by the system for IPL information and a system work area.)

The format of the ALLOC statement is identical to the one described in the section Reallocate:

ALLOC CI=cylin(tracks),RL=cylin(tracks),
SI=cylin(tracks),PL=cylin(tracks)

To use the reallocated or newly created pack as system residence file, you must re-IPL this pack again.

The following functions are performed automatically by the CORGZ program, when the ALLOC statement is used:

- All programs essential to a minimum system are copied. These programs are all logical and physical transients, IPL, supervisor, job control, and linkage editor.
- The partition and system standard labels are copied from the SYSRES label cylinders to the label cylinders on SYS002.
- Cylinder 0, track 0, records 1 and 2, and cylinder 0, track 1 are built.

The NEWVOL statement (see the section Creation of Private Libraries) defines private libraries.

The MERGE statement (see the section on MERGE) transfers data between libraries that were defined, or defined and created, previously.

Note: The starting track address in the EXTENT card for a new SYSRES always refers to the system directory, not to the IPL bootstrap record 1 (see Appendix A of DOS/VS System Management Guide, GC33-5371). A private CIL on the new SYSRES must have a starting track address which is one higher than the starting address of SYSRES. The number of tracks required for a PCIL on SYSRES is: (number of cylinders specified in ALLOC statement) * (number of tracks per cylinder) - 2.

COPY

The COPY control statement copies the complete system, but can only be used when SYSRES contains all four libraries. The information copied into the new pack includes cylinder 0 (track 0, records 1 and

2, and track 1), the four libraries, the label cylinder(s), and the VTOC cylinder. It is in the following format:

COPY ALL

This statement is valid only when preceded by an ALLOC or MERGE statement.

When COPY ALL or COPY \$\$A\$IPL2 is specified, the IPL bootstrap phase at cylinder 0, track 1, record 5 of SYSRES is copied.

COPYC

The COPYC control statement is used to specify the phases or programs in the core image library that are to be copied. It is in one of the following formats:

COPYC phase1[,phase2,...]

COPYC prog1.ALL[,prog2.ALL,...]

COPYC ALL

COPYC NEW

The first format is used when specific phases are to be copied. The entry in the operation field is COPYC. The entry, phase, in the operand field represents the name(s) of the phase(s) to be copied. Entries in the operand field must be separated by commas.

The second format is used when specific programs are to be copied. The entry in the operation field is COPYC. The entry, prog.ALL, in the operand field represents the name of the program to be copied. prog is the first four characters of the program name. (All phases within a program have the same first four characters.) prog is followed by a period and ALL. Entries in the operand field must be separated by commas.

The third format is used to copy the complete core image library. The entry in the operation field is COPYC. The entry in the operand field is ALL.

When the COPYC ALL statement is used, the supervisor and transient phases are also transferred to the receiving system resident file or private core image library. The supervisor and transients previously contained on the receiving SYSRES or SYSCLB disk pack are deleted. No indication of this deletion is given, and it is the user's responsibility to ensure that the receiving system is able to continue operating.

The fourth format is used to copy those phases which do not already exist in the

TO library, with the following exceptions: Phases beginning with \$\$A\$SUP are not copied. Phases beginning with \$\$BUCB or \$\$BFCB are always copied. The same is true for the phases \$JOBACCT, \$JOBEXIT, and \$SYSOPEN. However, in these cases, the old version in the TO library is deleted.

COPYR

The COPYR control statement is used to specify the modules in the relocatable library that are to be copied. It is in one of the following formats:

COPYR module1[,module2,...]

COPYR prog1.ALL[,prog2.ALL,...]

COPYR ALL

COPYR NEW

The first format is used when specific modules are to be copied. The entry in the operand field is COPYR. The entry, module, in the operand field represents the name(s) of the module(s) to be copied. Entries in the operand field must be separated by commas.

The second format is used when specific programs are to be copied. The entry in the operation field is COPYR. The entry, prog, in the operand field represents the name of the program to be copied. prog is the first three characters of the program name. (All modules within an IBM-supplied program have the same first three characters, such as IJB for the supervisor and IJK for PL/I). prog is followed by a period and ALL. Entries in the operand field must be separated by commas.

The third format is used to copy the complete relocatable library. The entry in the operation field is COPYR. The entry in the operand field is ALL.

The fourth format is used to copy only those modules which do not already exist in the TO library.

COPYS

The COPYS control statement is used to specify the books in the source statement library that are to be copied. It is in one of the following formats:

COPYS sublib.book1[,sublib.book2,...]

COPYS sublib1.ALL[,sublib2.ALL,...]

COPYS ALL

COPYS NEW

The first format is used when specific books are to be copied. The entry in the operation field is COPYS. The qualifier sublib in the operand field represents the name of the sublibrary containing the book and can be an alphameric character (0-9, A-Z, #, \$, and @), representing source statement sublibraries.

The sublib qualifier is required. If omitted, the operand is flagged as invalid and no processing is done on the book.

book represents the name(s) of the book(s) to be copied.

The second format is used when an entire sublibrary is to be copied. The entry in the operation field is COPYS. The entry, sublib, in the operand field represents the name of the sublibrary to be copied and can be any alphameric character (0-9, A-Z, #, \$, and @), representing source statement sublibraries.

The sublib qualifier is required. If omitted, the operand is flagged as invalid and no processing is done on the sublibrary. The qualifier sublib is followed by a period and ALL.

The third format is used to copy the complete source statement library. The entry in the operation field is COPYS. The entry in the operand field is ALL.

The fourth format is used to copy only those books which do not already exist in the TO library.

COPYP

The COPYP control statement is used to specify the procedures in the procedure library that are to be copied. It has the following formats:

COPYP procedurename1 [,procedurename2,...]

COPYP ALL

COPYP NEW

The first format is used when specific procedures are to be copied. If more than one procedure is to be copied, the names must be separated by commas.

The second format is used to copy the complete procedure library.

The third format is used to copy only those procedures which do not already exist in the TO library.

COPYI

The COPYI control statement is used to transfer the IPL Retrieval Program

(\$\$A\$IPL2) between the SYSRES and SYS002 (RES and NRS) volumes. It is in the following format:

COPYI \$\$A\$IPL2

The MERGE statement must always precede the COPYI statement.

If COPY ALL or COPYI \$\$A\$IPL2 is specified, the IPL bootstrap phase at cylinder 0, track 1, record 5 of SYSRES is copied.

COPY CONSIDERATIONS

Each library that is to be selectively copied requires a separate group of control statements. If more than one copy control statement for a particular library (COPYC, COPYR, COPYS, or COPYP) is submitted to the CORGZ program in combination with copy statements for a different library, the statements must be grouped per library (for instance: first all COPYC statements, then all COPYR statements, and so on). A COPY ALL statement must neither be preceded nor followed by any other COPY statement. Any number of elements of a particular library can be specified in one control statement. Continuation statements are not valid. All entries in the operand field must be separated by commas.

When the copy involves a non-IPLed SYSRES(NRS), a file must be defined for IJSYSRS on SYS002 via DLBL and EXTENT control statements. The filename on the DLBL statement must be IJSYSRS. The file identification portion of the DLBL statement can be as shown in the example of the copy function.

The lower extent for this file must be cylinder zero, track one, and the upper extent must include the label cylinder(s). For the 2314/2319 and the 3330/3333, and 3350, the label cylinder is one cylinder reserved for label information, and is located on the cylinder immediately following the last library of the system. For the 3340 there is a second (adjacent) label cylinder. The total allocation must include cylinder 0, all defined system libraries, and the label cylinder(s).

Figure 17 shows an example of a job setup for the copy function on a 2316 disk pack to duplicate SYSRES.


```

// JOB      COPY SYSRES TO NRES
// ASSGN    SYS002,X'191'
// DLBL     IJSYSRS,'DOS/V5 SYSTEM RESIDENCE FILE',99/365,SD
// EXTENT   SYS002,111111,1,000,00001,02519
// EXEC     CORGZ
// ALLOC    CL=60(10),RL=30(10),SL=30(10),PL=5(5)
// COPY     ALL
/*
/6

```

Figure 17. Example of a Job Setup to Duplicate SYSRES on a 2316 Disk Pack

For the copy function, SYSIPT must be assigned to a card reader, a tape unit, a disk unit, or a 3540 diskette. SYS002 must be assigned to a disk unit. SYSLST must be assigned to a printer, a tape unit, a disk unit, or a 3540 diskette, and SYSLOG must not be assigned to a printer.

If the receiving file is the system residence file on SYSRES, CORGZ must be executed in the background partition.

CREATION OF PRIVATE LIBRARIES

The CORGZ program can be used to create private libraries. SYS003 must be assigned if a private core image library is required. SYSRLB must be assigned if a private relocatable library is required. SYSSLB must be assigned if a private source statement library is required.

Private libraries can reside on the SYSRES pack (outside the SYSRES extent) or on separate disk packs which (except for a private core image library) must be of the same device type as the SYSRES pack.

When creating a private library using CORGZ, a file must be defined for IJSYSPC on SYS003 and/or IJSYSRL on SYSRLB and/or IJSYSSL on SYSSLB. IJSYSPC, IJSYSRL, and IJSYSSL are the respective file names used in the creation of private core image, relocatable, and source statement libraries.

NEWVOL

Creation of a private library is requested by the NEWVOL control statement. Its format follows.

```
NEWVOL id=cylin(tracks)[,id=cylin(tracks)]
```

id Indicates the specific library and directory to be created and can be:

CL for a private core image library and directory

RL for a private relocatable library and directory

SL for a private source statement library and directory.

cylin Indicates the number of cylinders to contain the specified library.

tracks Indicates the number of tracks to contain the specified library directory. The tracks allocated to the directory are contained within the cylinders allocated to the library. At least 2 tracks have to be allocated to a core image directory. The whole library must have at least 5 tracks more than the directory. (The number of tracks for the library is specified implicitly by cylin, since the number of tracks per cylinder is known for each device.)

The directory minimum two track allocation for the PCIL includes one directory for cataloged phases and one directory for linked phases.

The CORGZ program also provides the ability to copy all or part of the system core image and/or relocatable and/or source statement library into its respective private library. If this facility is to be used, it must be employed in the same job step in which the private library is created. This is done by inserting COPYC and/or COPYR and/or COPYS statements immediately behind the NEWVOL statement(s) in the job stream.

To define and create a private library from an existing private library, the MERGE statement must be used between the NEWVOL and the COPYR and/or COPYS statements (This does not apply for the COPYC statement, since the private core image library cannot be defined and created in one single job step). Below is an example of the sequence of steps.

```
// EXEC CORGZ
NEWVOL RL=10(2),SL=10(1)
MERGE PRV,PRV
COPYR ALL
COPYS ALL
```

```
/*
/6
```

The following precautions should be observed.

1. When a NEWVOL statement and a COPYC and/or a COPYR and/or a COPYS statement are both present, the NEWVOL statement must precede the COPYC, COPYR or COPYS statement.
2. For each job, label statements for the private libraries containing the same information as at creation time must be submitted. **Note:** Private libraries are not required to begin on a cylinder boundary.

MERGE

The MERGE function copies the contents of one library to another library of the same type. If the element being copied already exists in the destination library, its old version there is deleted, except when COPYX NEW was specified. In that case only those elements are copied which do not already exist in the TO library. Any phase, module, book, or procedure being copied is added to the library at the next available entry point. Its directory entry is added at the directory's next available entry point.

The control statement indicates the type of library (resident or private) involved and the direction in which the data will move. It has the following format:

MERGE from,to

The operand field entry from represents the file from which data will be copied. from can be one of these:

RES System residence file on SYSRES.

NRS Modified, or duplicate system residence file on SYS002 (New ReSidence).

PRV Private relocatable library on SYS001 and/or a private source statement library on SYS000 and/or a private core image library on SYS003.

The operand field entry to indicates the file to which library data will be transferred. to can be one of these:

RES System residence file on SYSRES.

NRS Modified, or duplicate system residence file on SYS002 (New ReSidence).

PRV Private relocatable library on SYSRLB and/or private source statement library on SYSSLB and/or a private core image library on SYSCLB.

The MERGE statement is followed by appropriate copy statements (COPYC, COPYR, COPYS, COPYP) that indicate the phases, modules, books, or procedures to be transferred.

All copy statements following a MERGE statement apply to that function until another MERGE, NEWVOL, or ALLOC statement is encountered.

Notes:

1. If the COPYC ALL statement is used, the supervisor and transient phases are also transferred to the receiving system resident file or private core image library. The supervisor and transients previously contained on the receiving SYSRES or SYSCLB disk pack are deleted. No indication of this deletion is given, and it is the user's responsibility to ensure that the receiving system is able to continue operating.
2. If COPY ALL or COPYI \$\$A\$IPL2 is specified, the IPL bootstrap phase at cylinder 0, track 1, record 5 of SYSRES is copied.

Core Image Library

Selected phases, or the entire library, can be transferred (in either direction) between:

1. The core image library of the system residence file on SYSRES and the core image library of another system residence file on SYS002.
2. A private core image library and the core image library of the system residence file on SYSRES.
3. A private core image library and the core image library of a system residence file on SYS002.
4. Two private core image libraries.

You must ascertain that the receiving system has the ability to execute the phase(s) being copied. If the receiving file is the system residence file on SYSRES, CORGZ must be executed in the background partition.

Relocatable Library

Selected modules, or the entire library, can be transferred (in either direction) between:

1. The relocatable library of the system residence file on SYSRES and the relocatable library of another system residence file on SYS002.
2. A private relocatable library and the relocatable library of the system residence file on SYSRES.
3. A private relocatable library and the relocatable library of a system residence file on SYS002.
4. Two private relocatable libraries.

Source Statement Library

Selected books or the entire library, can be transferred (in either direction) between:

1. The source statement library of the system residence file on SYSRES and the source statement library of another system residence file on SYS002.
2. A private source statement library and the source statement library of the system residence file on SYSRES.
3. A private source statement library and the source statement library of a system residence file on SYS002.
4. Two private source statement libraries.

Procedure Library

Selected procedures, or the entire procedure library, can be transferred (in either direction) between the procedure library of the system residence file on SYSRES and the procedure library of another system residence file on SYS002.

MERGE Considerations

File definitions (through DLBL and EXTENT statements) must be made before the MERGE control statement is used. When defining files, remember:

1. When merging to, or from, a modified or duplicate system residence file, the modified or duplicate file name must be

IJSYSRS, the logical unit must be SYS002, and the file ID must be identical to the ID supplied when the file was created.

2. When merging to a private relocatable library file, the file name must be IJSYSRL, the logical unit must be SYSRLB, and the file ID must be identical to the ID supplied when the file was created.
3. When merging from a private relocatable library file, the file name must be IJSYSPR, the logical unit must be SYS001, and the file ID must be identical to the ID supplied when the file was created.
4. When merging to a private source statement library file, the file name must be IJSYSSL, the logical unit must be SYSSLB, and the file ID must be identical to the ID supplied when the file was created.
5. When merging from a private source statement library file, the file name must be IJSYSPS, the logical unit must be SYS000 and the file ID must be identical to the ID supplied when the file was created.
6. When merging to a private core image library file, the file name must be IJSYSCL, the logical unit must be SYSCLB, and the file ID must be identical to the ID supplied when the file was created.
7. When merging from a private core image library file, the file name must be IJSYSPC, the logical unit must be SYS003 and the file ID must be identical to the ID supplied when the file was created.

Figure 18 shows the file name, logical unit, and direction of transfer for each of the merge operations. Any combination of the indicated operations can be performed in one job step.

Diagnostic messages for erroneous assignments, file definitions, etc, are provided on SYSLST. Figure 19 is an example of a job set up to use the MERGE function on a 2316 disk pack.

		1	2	3	4	5	6	7
File Name	IJSYSRS	IJSYSRS	IJSYSRL	IJSYSPR	IJSYSSI	IJSYSPS	IJSYSCL	IJSYSPC
Logical Unit	SYSRES	SYS002	SYSRLB	SYS001	SYSSLB	SYS000	SYSCLB	SYS003
Merge RES to NRS	from	to						
Merge NRS to RES	to	from						
Merge RES to PRV	from		to		to		to	
Merge NRS to PRV		from	to		to		to	
Merge PRV to RES	to			from		from		from
Merge PRV to NRS		to		from		from		from
Merge PRV to PRV			to	from	to	from	to	from

Figure 18. Direction of Transfer for Merge Operations

Assume two disk drives with addresses of 190 and 191.

```
// JOB EXAMPLE
// ASSGN SYSRLB,X'191'
// ASSGN SYSSLB,X'191'
// ASSGN SYS003,X'191'
// ASSGN SYS000,X'190'
// ASSGN SYS001,X'190'
// ASSGN SYS002,X'191'

Note 1 // DLBL IJSYSRL,'PRIVATE RL',99/365
// EXTENT SYSRLB,111111,1,0,1500,200

Note 2 // DLBL IJSYSSL,'PRIVATE SL',99/365
// EXTENT SYSSLB,111111,1,0,1700,200

Note 3 // DLBL IJSYSPC,'PRIVATE CIL',99/365
// EXTENT SYS003,111111,1,0,1900,200

Note 4 // DLBL IJSYSR,'PRIVATE RL TEST',99/365
// EXTENT SYS001,111111,1,0,1300,200

Note 5 // DLBL IJSYSPS,'PRIVATE SL TEST',99/365
// EXTENT SYS000,111111,1,0,1500,200

Note 6 // DLBL IJSYSRS,'SYSTEM RESIDENCE',99/365
// EXTENT SYS002,111111,1,0,1,359

// EXEC CORGZ
NEWVOL RL=10(2),SL=10(2),CI=10(15)
Note 7 COPYR ALL
COPYS ALL
COPYC ALL
MERGE PRV,PRV
Note 8 COPYR ALL
COPYS ALL
MERGE NRS,PRV
Note 9 COPYR ALL
COPYS ALL
/*
// ASSGN SYS003,X'190'
// ASSGN SYS002,X'191'

Note 10 // DLBL IJSYSCL,'PRIVATE CIL',99/365
// EXTENT SYSCLB,111111,1,0,1900,200

Note 11 ASSGN SYSCLB,X'191'

Note 12 // DLBL IJSYSPC,'PRIVATE CL TEST',99/365
// EXTENT SYS003,111111,1,0,1500,200

Note 13 // DLBL IJSYSRS,'SYSTEM RESIDENCE',99/365
// EXTENT SYS002,111111,1,0,1,359

// EXEC CORGZ

Note 14 MERGE PRV,PRV
COPYC ALL

Note 15 MERGE NRS,PRV
COPYC ALL

/ &
```

Figure 19. Example of Job Setup to Use the MERGE Function on a 2316 Disk Pack (Part 1 of 2)

- Note 1: File definition statements for a private relocatable library file to be created and updated.
- Note 2: File definition statements for a private source statement library file to be created and updated.
- Note 3: File definition statements for a private core image library file to be created.
- Note 4: File definition statements for a private relocatable library file from which modules to be copied.
- Note 5: File definition statements for a private source statement library file from which books are to be copied.
- Note 6: File definition statements for a modified, or duplicate system residence file from which modules and books are to be copied.
- Note 7: Creates private core image, relocatable, and source statement libraries on SYS003, SYSRLB, and SYSSLB, and copies the core image, relocatable, and source statement libraries from the system residence file on SYSRES into them.
- Note 8: Merges all modules and books from private relocatable and source statement libraries on SYS001 and SYS000 into the appropriate private libraries created on SYSRLB and SYSSLB.
- Note 9: Merges all modules and books from the relocatable and source statement libraries of a modified, or duplicate system residence file on SYS002 into private libraries created on SYSRLB and SYSSLB.
- Note 10: File definition statements for the private core image library file just created and to be updated.
- Note 11: In order to merge to the private core image library just created, assign it to SYSCLB. The ASSGN must follow the DLBL and EXTENT statements. The 'from' file must be assigned to SYS003 and is a previously created private core image library. See MERGE Considerations for additional information.
- Note 12: File definition statements for a private core image library from which phases are to be copied.
- Note 13: File definition statements for a modified, or duplicate system residence file from which the phases of the core image library are to be copied.
- Note 14: Merges all phases from the private core image library on SYS003 into the newly created private core image library on SYSCLB.
- Note 15: Merges all phases from the core image library of a modified, or duplicate system residence file on SYS002 into the newly created private core image library on SYSCLB.

Figure 19. Example of Job Setup to Use the MERGE Function on a 2316 Disk Pack (Part 2 of 2)

Service Programs

This section describes the control statements that can be submitted to one of the programs that service the libraries. There are six service programs:

- DSERV -- to display the directories of each of the libraries.
- CSERV -- to display and/or punch phases from the core image library.
- RSERV -- to display and/or punch modules from the relocatable library.
- SSERV -- to display and/or punch books from the source statement library.
- ESERV -- to de-edit, display and/or punch, verify, and update edited assembler macros from the source statement library.
- PSERV -- to display and/or punch procedures from the procedure library.

For examples of service functions, refer to Figure 21.

The following symbolic units must be assigned to perform service functions on a private library: SYSCLB for a private core image library, SYSRLB for a private relocatable library, and SYSSLB for a private source statement library. A private library must be unassigned to perform service functions on the corresponding system library.

DSERV Program

This section describes the display of the directories. The copy function for the directories is discussed in the section Copy Program.

The format of the display depends upon the operation specified in the DSERV control statement(s).

Multiple displays of the same directory, either sorted or unsorted, may be obtained in the same job step. To do this, use a separate control statement for each desired display.

Operational Characteristics

If any private library is assigned, it is displayed in place of the corresponding system library. To display the system library, the corresponding private library must be unassigned.

The printed output of DSERV contains the status report of the system libraries and any assigned private libraries followed by the specified directory. Each printed directory is preceded by a header that contains the name of the directory in EBCDIC characters. All fields are headed by the title DEC (decimal) or HEX (hexadecimal). Generally, each page includes up to 96 directory entries printed in double-column format with 48 entries per column. However, the core image directory contains more information and is therefore printed in single column format with up to 48 entries per page. The additional information in the printout of the core image directory in response to a DSPLY(S) request indicates:

1. If the phase is SVA-eligible
2. If the phase is listed in the SDL
3. If the phase is contained in the SVA
4. Entry names contained in the SDL that have been established for future use, but do not as yet have phases attached to them. These entry names are listed as contained in the SDL only.

If a particular phase entry is requested, the version and modification level is printed along with the directory entry. For example, version 31, modification level 1 would appear as '031 001'.

DSERV can be executed in any partition with the statement:

```
// EXEC DSERV
```

Except for a display of the core image directory, DSERV may require additional storage beyond the minimum of 64K available to the partition if a sorted display is specified. If the partition is not large enough to contain all the entries to be sorted, sorting is done in more than one pass, resulting in more than one sorted list of entries. If this is not satisfactory, increase the partition size.

If DSERV is to run in real mode, the REAL parameter must be included in the EXEC statement.

SYSLOG must not be assigned to a printer and SYSIPT and SYSLST must be assigned.

DSPLY and DSPLYS

The control statements for DSERV are:

```
DSPLY      directory[,directory]
DSPLYS     [(phasename[,nn])]
```

Operation

- DSPLY Displays the directory entries in the sequence in which they appear in the directory.
- DSPLYS Displays the directory entries sorted alphanumerically.

The entries in the core image directory and in the system directory list are always displayed in alphanumeric sequence. DSPLY and DSPLYS give the same result for CD, TD, and SDL.

Operands

directory: Can be one of the following:

- TD \$-phases in the core image directory.
- CD The core image directory
- SDL The system directory list
- RD The relocatable directory
- SD The source statement directory
- PD The procedure directory
- ALL All the above (TD, CD, SDL, RD, SD, and PD) are specified.

Notes:

1. If CD (without any other operands) or ALL is specified, the version and modification level of CD entries is not displayed.
2. Continuation cards are not valid.
3. A blank operand or no control statement results in a system status report only.

phasename: If CD is specified, then the version and modification level of any single phase or group of phases can be displayed by using phasename. Specify the phasename desired. If it contains less than eight characters, the specification should either be padded out with blanks (COBOL) or one blank should be included immediately after the last character of the phasename (COBOL). In the example, COBOL, if many phases contain the first five characters, COBOL, then to display the version and modification level of all of these phases specify (COBOL) without any blanks.

nn: Specifies in decimal the displacement of the version and modification level indicator. This indicator (a two-byte hexadecimal constant) must be placed after the character constant of the specified phase-

name or name of a group of phases. The specified displacement starts with the first character of the phasename constant. (Constant definition of the phasename and the indicator should be placed at the beginning of a phase.)

This parameter must only be specified if

- the version and modification level indicator is not in the standard position (12 bytes for IBM supplied transients and 8 bytes for all other entries), or if
- the version and modification level of the phase specified is higher than that of the DSERV in use.

Note: Only one phase or group of phases can be specified per CD control statement. If more than one is specified, then the last specification is the only one processed.

CSERV Program

The CSERV program is used to request a service function for the core image library (either system or private). You use the following EXEC control statement:

```
// EXEC CSERV
```

One or more of the three service functions can be requested within a single run. Punched output is sequenced in columns 77 through 80. The first card punched for each phase is sequenced zero. Any number of phases within the core image library can be acted upon in this run.

DSPLY

The display function produces a printout of a phase in the core image library. The printed output produced by the display function consists of a header and the phase. The printed header contains the phase name and the length of the phase in number of bytes.

The printed output of the phase contains a three-byte hexadecimal load address of the first byte in the line, followed by 48 bytes of text displayed in hexadecimal.

If the phase is relocatable, relocation information is printed following the text information.

The DSPLY control statement in one of the following formats is used to display phases in the core image library:

DSPLY phase1[,phase2,...]

DSPLY prog1.ALL[,prog2.ALL,...]

DSPLY ALL

The first format is used if only specific phases are to be displayed. The entry in the operation field is DSPLY. phase in the operand field represents the name of the phase to be displayed. If more than one phase is to be displayed, the phase names are separated by commas. Phase names must be from one to eight characters long.

The second format is used when an entire program is to be displayed. The entry in the operation field is DSPLY. In the operand field, prog refers to the first four characters of the phase names making up a program. (All phases of a multiphase program should have the same first four characters.) The four characters are followed by a period and ALL.

The third format is used if the entire core image library is to be displayed. The entry in the operation field is DSPLY. The entry in the operand field is ALL.

It is possible to use all three types of operands together in a single control statement.

For the display function, SYSIPT must be assigned to a card reader, a tape unit, a disk unit, or a 3540 diskette. SYSIST must be assigned to a printer, a tape unit, a disk unit, or a 3540 diskette. SYSLOG must not be assigned to a printer.

PUNCH

The punch function converts a phase in the core image library into punched-cards or into a card-image format.

Any number of phases in the core image library can be punched within a single run unless SYSPCH is assigned to a disk or tape unit, or to a 3540 diskette (for subsequent use as SYSIPT to a link edit job step). In the case of a 3540 diskette a maximum of 120 phases can be punched. The punched-card output is acceptable as input to the linkage editor for recataloging to the core image library. When non-relocatable phases are recataloged, they are loaded in a partition at the same address as when they were originally link-edited because their address(es) are absolute. Relocatable phases, however, are loaded at an address relative to the end of the supervisor (S + displacement).

The following cards are contained in the phase decks punched from the core image library.

1. PHASE card: contains the phase name and the beginning load address. If the phase that is punched is SVA-eligible, that is, if it has been cataloged as such, the SVA parameter is also punched in the PHASE card.
2. ESD card: Contains ESD type and name and the assembled origin and length of the control section.
3. TXT cards: contain the loading address of the first byte in the card, the number of bytes of text punched in the card (usually 56, except for the last card), the identification number of the control section (always 0001) containing the text, and the actual text.
4. END card: contains the transfer address, and signifies the end of the phase.

If the phase is relocatable, RLD cards are also punched. These cards contain information that identifies those portions of the TXT cards that may need to be modified by the relocating loader.

To facilitate recataloging of the phase(s), a /* card will be the last card of any punched output of a CSERV job step.

The PUNCH control statement in one of the following formats is used to convert phases in the core image library to punched-card output.

PUNCH phase1[,phase2,...]

PUNCH prog1.ALL[,prog2.ALL,...]

PUNCH ALL

The first format is used if only specific phases are to be punched. The entry in the operation field is PUNCH. The entry in the operand field, phase, represents the name of the phase to be punched. If more than one phase is to be punched, the phase names are separated by commas. Phase names must be from one to eight characters long.

The second format is used when an entire program is to be punched. The entry in the operation field is PUNCH. In the operand field, prog refers to the first four characters of the phase names making up a program. (All phases of a multiphase program should have the same first four characters.) The four characters are followed by a period and ALL.

The third format is used if the entire core image library is to be punched. The entry in the operation field is PUNCH. The entry in the operand field is ALL.

When SYSPCH is assigned to a tape, disk, or diskette unit, each card image is preceded by a stacker-select character.

For the punch function, SYSIPT must be assigned to a card reader, a tape unit, a disk unit, or a 3540 diskette. SYSPCH must be assigned to a card punch, a tape unit, a disk unit, or a 3540 diskette. SYSLST must be assigned to a printer, a tape unit, a disk unit, or a 3540 diskette. SYSLOG must not be assigned to a printer.

Whenever the same card read punch is assigned to SYSIPT and also to SYSPCH, enough blank cards for punching the module must follow each PUNCH control statement. This prevents erroneously punching the cards of a following job step. Extra cards are automatically bypassed.

DSPCH

The display-and-punch function combines the separate operations of the display and the punch functions.

The DSPCH control statement is used to convert phases in the core image library to printed and punched-card output. The DSPCH control statement is in one of the following formats.

```
DSPCH phase1[,phase2,...]
```

```
DSPCH prog1.ALL[,prog2.ALL,...]
```

```
DSPCH ALL
```

The first format is used if only specific phases are to be displayed and punched. The entry in the operation field is DSPCH. The entry in the operand field, phase, represents the name of the phase to be displayed and punched. If more than one phase is to be displayed and punched, the phase names are separated by commas. Phase names must be from one to eight characters long.

The second format is used when an entire program is to be displayed and punched. The entry in the operation field is DSPCH. In the operand field, prog refers to the first four characters of the names of the phases making up the program. (All phases of a multiphase program should have the same first four characters.) The four characters are followed by a period and ALL.

The third format is used if the entire core image library is to be displayed and punched. The entry in the operation field is DSPCH. The entry in the operand field is ALL.

When SYSPCH is assigned to a tape, disk unit, or 3540 diskette, each card image is preceded by a stacker-select character.

For the display and punch function, SYSIPT must be assigned to a card reader, a tape unit, a disk unit, or a 3540 diskette. SYSLST must be assigned to a printer, a tape unit, a disk unit, or a 3540 diskette. SYSPCH must be assigned to a card punch, a tape unit, a disk unit, or a 3540 diskette. SYSLOG must not be assigned to a printer.

Whenever the same card read punch is assigned to SYSIPT and also to SYSPCH, enough blank cards for punching the module must follow each DSPCH control statement. This prevents erroneously punching the cards of a following job step. Extra cards are automatically bypassed.

RSERV Program

The RSERV program is used to request a service function for the relocatable library. You use the following EXEC control statement:

```
// EXEC RSERV
```

One or more of the three service functions can be requested within a single run. Any number of modules within the relocatable library can be acted upon in this run. Punched output is sequenced in columns 77 through 80. The first card punched for each module is sequenced zero.

DSPLY

The display function produces a printout of a module in the relocatable library.

The printed output produced by the display function consists of a header and the module.

Contained in the printed header is the module name and the number of records needed to contain the module.

The printed output of the module is represented by hexadecimal characters and EBCDIC, depending on the type of record and the information contained within the record.

The DSPLY control statement in one of the following formats is used to display modules in the relocatable library.

```
DSPLY module1[,module2,...]
```

```
DSPLY prog1.ALL[,prog2.ALL,...]
```

```
DSPLY ALL
```

The first format is used if only specific modules are to be displayed. The entry in the operation field is `DSPLY`. module in the operand field represents the name of the module to be displayed. If more than one module is to be displayed, the module names are separated by commas. Module names must be from one to eight characters long.

The second format is used when an entire program is to be displayed. The entry in the operation field is `DSPLY`. In the operand field, prog refers to the first three characters of the modules used to build the program. (All IBM-supplied modules in the relocatable library making up a program have the same first three characters, such as `IPK` for the assembler and `ILA` and `ILB` for `COBOL`.) The three characters are followed by a period and `ALL`.

The third format is used if the entire relocatable library is to be displayed. The entry in the operation field is `DSPLY`. The entry in the operand field is `ALL`.

For the display function, `SYSIPT` must be assigned to a card reader, a tape unit, a disk unit, or a 3540 diskette. `SYSLST` must be assigned to a printer, a tape unit, a disk unit, or a 3540 diskette. `SYSLOG` must not be assigned to a printer.

PUNCH

The punch function converts a module in the relocatable library into punched cards or into card-image format.

The `PUNCH` control statement in one of the following formats is used to convert modules in the relocatable library to punched-card output.

```
PUNCH module1[,module2,...]
```

```
PUNCH prog1.ALL[,prog2.ALL,...]
```

```
PUNCH ALL
```

The first format is used if only specific modules are to be punched. The entry in the operation field is `PUNCH`. The entry in the operand field, module, represents the name of the module to be punched. If more than one module is to be punched, the module names are separated by commas. Module names must be from one to eight characters long.

The second format is used when an entire program is to be punched. The entry in the operation field is `PUNCH`. In the operand field, prog refers to the first three characters of the modules used to build the

program. (All IBM-supplied modules in the relocatable library making up a program have the same first three characters, such as `IPK` for the assembler and `ILA` and `ILB` for `COBOL`.) The three characters are followed by a period and `ALL`.

The third format is used if the entire relocatable library is to be punched. The entry in the operation field is `PUNCH`. The entry in the operand field is `ALL`.

When `SYSPCH` is assigned to a tape, disk unit, or 3540 diskette, each card image is preceded by a stacker-select character.

For the punch function, `SYSIPT` must be assigned to a card reader, a tape unit, a disk unit, or a 3540 diskette. `SYSPCH` must be assigned to a card punch, a tape unit, a disk unit, or 3540 diskette. `SYSLST` must be assigned to a printer, a tape unit, a disk unit, or a 3540 diskette, and `SYSLOG` must not be assigned to a printer.

Whenever the same card read punch is assigned to `SYSIPT` and also to `SYSPCH`, enough blank cards for punching the module must follow each `PUNCH` control statement. This prevents erroneously punching the cards of a following job step. Extra cards are automatically bypassed.

DSPCH

The display-and-punch function combines the separate operations of the display and the punch functions.

The `DSPCH` control statement is used to convert modules in the relocatable library to printed and punched-card output. The `DSPCH` control statement is in one of the following formats.

```
DSPCH module1[,module2,...]
```

```
DSPCH prog1.ALL[,prog2.ALL,...]
```

```
DSPCH ALL
```

The first format is used if only specific modules are to be displayed and punched. The entry in the operation field is `DSPCH`. The entry in the operand field, module, represents the name of the module to be displayed and punched. If more than one module is to be displayed and punched, the module names are separated by commas. Module names must be from one to eight characters long.

The second format is used when an entire program is to be displayed and punched. The entry in the operation field is `DSPCH`. In the operand field, prog refers to the first three characters of the modules used

to build the program. (All IBM-supplied modules in the relocatable library making up a program have the same first three characters, such as IPK for the assembler and ILA and ILB for COBOL.) The three characters are followed by a period and ALL.

The third format is used if the entire relocatable library is to be displayed and punched. The entry in the operation field is DSPCH. The entry in the operand field is ALL.

When SYSPCH is assigned to a tape or disk unit, or a 3540 diskette, each card image is preceded by a stacker-select character.

For the display and punch function, SYSIPT must be assigned to a card reader, a tape unit, a disk unit, or a 3540 diskette. SYSLST must be assigned to a printer, a tape unit, a disk unit, or a 3540 diskette. SYSPCH must be assigned to a card punch, a tape unit, a disk unit, or a 3540 diskette. SYSLOG must not be assigned to a printer.

Whenever the same card read punch is assigned to SYSIPT and also to SYSPCH, enough blank cards for punching the module must follow each DSPCH control statement. This prevents erroneously punching the cards of a following job step. Extra cards are automatically bypassed.

SSERV Program

The SSERV program is used to request a service function for the source statement library, except for the macro sublibrary which is handled by the ESERV program (see that section). Use the following job control statement:

```
// EXEC SSERV
```

One or more of the three service functions can be requested within a single run. Any number of books within the source statement library can be acted upon in this run.

DSPLY

The display function produces a printout of a book in the source statement library.

Books are displayed in the card image format. Each book is preceded and followed by a BKEND statement.

The DSPLY control statement in one of the following formats is used to display books in the source statement library.

- DSPLY sublib.book1[,sublib.book2,...]
- DSPLY sublib1.ALL[,sublib2.ALL,...]
- DSPLY ALL

The first format is used if only specific books are to be displayed. The entry in the operation field is DSPLY. The qualifier sublib in the operand field represents the sublibrary containing the book to be displayed and can be any alphameric character (0-9, A-Z, #, \$, and @), representing source statement sublibraries.

book in the operand field represents the name of the book in the sublibrary to be displayed. If more than one book is to be displayed, the entries must be separated by commas. If books to be displayed are in the same sublibrary, subsequent book names need not be qualified. (The librarian assumes that nonqualified books are in the last sublibrary specified. If a sublibrary is never specified, the librarian assumes the book is in the A sublibrary.) The names of the books in the operand field can be from one to eight characters in length. Continuation statements are not recognized.

The second format is used if an entire sublibrary is to be displayed. The entry in the operation field is DSPLY. The first entry in the operand field is the name of the sublibrary to be displayed. The qualifier sublib can be any alphameric character (0-9, A-Z, #, \$, and @), representing source statement sublibraries.

The sublib qualifier is required. If omitted, the operand is flagged as invalid and no processing is done on the sublibrary.

The second entry in the operand field is ALL. The two entries must be separated by a period.

The third format is used if the entire source statement library is to be displayed. The entry in the operation field is DSPLY. The entry in the operand field is ALL.

For the display function, SYSIPT must be assigned to a card reader, a tape unit, a disk unit, or a 3540 diskette. SYSLST must be assigned to a printer, a tape unit, a disk unit, or a 3540 diskette. SYSLOG must not be assigned to a printer.

PUNCH

The punch function converts a book in the source statement library into punched cards or into card-image format.

The PUNCH control statement in one of the following formats is used to convert books in the source statement library to punched-card output.

- PUNCH sub.book1[,sub.book2,...][,CMPRSD]
- PUNCH sub1.ALL[,sub2.ALL,...][,CMPRSD]
- PUNCH ALL[,CMPRSD]

The first format is used if only specific books are to be punched. The entry in the operation field is PUNCH. The qualifier sub in the operand field represents the sublibrary containing the book to be punched and can be alphameric character (0-9, A-Z, #, \$, and @), representing source statement sublibraries.

book in the operand field represents the name of the book in the sublibrary to be punched. The entry CMPRSD is used if the books are to be punched in the compressed form in which they are stored in the library. When this option is elected, the cards are punched in the first seventy-one columns. If more than one book is to be punched, the entries must be separated by commas. If books to be punched are in the same sublibrary, subsequent book names need not be qualified. (The librarian assumes that nonqualified books are in the last sublibrary specified. If a sublibrary is never specified, the librarian assumes the book is in the E sublibrary.) The names of the books in the operand field can be from one to eight characters long. Continuation statements are not recognized.

The second format is used if an entire sublibrary is to be punched. The entry in the operation field is PUNCH. The first entry in the operand field is the name of the sublibrary to be punched. The qualifier sub can be any alphameric character (0-9, A-Z, #, \$, and @), representing source statement sublibraries.

The sublib qualifier is required. If omitted, the operand is flagged as invalid and no processing is done on the sublibrary.

The second entry in the operand field is ALL. The entry CMPRSD is used if the books are to be punched in the compressed format. A /* statement is always punched at the end of the output. When SYSPCH is assigned to a tape unit, disk unit, or 3540 diskette, each card image is preceded by a stacker-select character.

The third format is used if the entire source statement library is to be punched. The entry in the operation field is PUNCH. The entry in the operand field is ALL. The entry CMPRSD is used if the books are to be

punched in the compressed format. If CMPRSD is specified, punched output is sequenced in columns 77-80. The first card punched for each module is zero. The compressed source code retains its original sequence numbers. A /* statement is always punched at the end of the output.

For the punch function, SYSIPT must be assigned to a card reader, a tape unit, a disk unit, or a 3540 diskette. SYSPCH must be assigned to a card punch, a tape unit, a disk unit, or a 3540 diskette. ~~SYSLST~~ must be assigned to a printer, a tape unit, a disk unit, or a 3540 diskette, and SYSLOG must not be assigned to a printer.

Whenever the same card read punch is assigned to SYSIPT and also to SYSPCH, enough blank cards for punching the book must follow each PUNCH control statement. This prevents erroneously punching the cards of a following job step. Extra cards are automatically bypassed.

DSPCH

The display-and-punch function combines the separate operations of the display function and the punch function.

The DSPCH control statement in one of the following formats is used to convert books in the source statement library to printed and punched-card output.

- DSPCH sub.book1[,sub.book2,...][,CMPRSD]
- DSPCH sub1.ALL[sub2.ALL,...][,CMPRSD]
- DSPCH ALL[,CMPRSD]

The first format is used if only specific books are to be displayed and punched. The entry in the operation field is DSPCH. The qualifier sub in the operand field represents the sublibrary containing the book to be displayed and punched and can be any alphameric character (0-9, A-Z, #, \$, and @), representing source statement sublibraries.

book in the operand field represents the name of the book in the sublibrary to be displayed and punched. The entry CMPRSD is used if the books are to be punched in the compressed format, but printed in the original card image format. If more than one book is to be displayed and punched, the entries must be separated by commas. If books to be displayed and punched are in the same sublibrary, subsequent book names need not be qualified. (The librarian assumes that nonqualified books are in the last sublibrary specified. If a sublibrary is never specified, the librarian assumes the book is in the E sublibrary.) The

names of the books in the operand field can be from one to eight characters long. Continuation statements are not recognized. A /* statement is punched at the end of the output.

The second format is used if an entire sublibrary is to be displayed and punched. The entry in the operation field is DSPCH. The first entry in the operand field is the name of the sublibrary to be displayed and punched. The qualifier sub can be any alphameric character (0-9, A-Z, #, \$, and @), representing source statement sublibraries.

The sublib qualifier is required. If omitted, the operand is flagged as invalid and no processing is done on the sublibrary.

The second entry in the operand field is ALL. The entry CMPRSD is used if the books are to be punched in the compressed format. When SYSPCH is assigned to a tape, disk unit, or 3540 diskette, each card image is preceded by a stacker-select character.

The third format is used if the entire source statement library is to be displayed and punched. The entry in the operation field is DSPCH. The entry in the operand field is ALL. The entry CMPRSD is used if the books are to be punched in the compressed format.

For the display and punch function, SYSIPT must be assigned to a card reader, a tape unit, a disk unit, or a 3540 diskette. SYSLST must be assigned to a printer, a tape unit, or a 3540 diskette, a disk unit. SYSPCH must be assigned to a card punch, a tape unit, a disk unit, or a 3540 diskette. SYSLOG must not be assigned to a printer.

Whenever the same card read punch is assigned to SYSIPT and also to SYSPCH, enough blank cards for punching the book must follow each DSPCH control statement. This prevents erroneously punching the cards of a following job step. Extra cards are automatically bypassed.

ESERV Program

The ESERV program is used to request a service or maintenance function for edited assembler macros in the E sublibrary of the source statement library. You specify:

```
// EXEC ESERV
```

Input to ESERV is read from SYSIPT.

GENEND and GENCATALS

The first statement after the // EXEC ESERV statement should be GENEND or GENCATALS. If neither is present, GENCATALS is assumed. These statements, as shown below, must not start in column 1.

GENEND no operands

This causes ESERV to place an END and a /* statement immediately after the de-edited macro on SYSPCH so that it can be used as SYSIPT for the assembler.

GENCATALS no operands

This causes a CATALS statement of the form A.bookname (or, if SUBLIB=DF was specified in an OPTION statement, of the form D.bookname) to precede and a /* statement to follow each macro so that the resulting SYSPCH stream can be used as SYSIPT input to the MAINT program for cataloging the de-edited macros into the A sublibrary.

DSPLY, PUNCH, and DSPCH

The following statements can be issued for one or more edited macros within a single ESERV run.

DSPLY De-edits and displays macro(s) on SYSLST.

PUNCH De-edits and punches macro(s) on SYSPCH.

DSPCH Combines DSPLY and PUNCH.

The control statements must not start in column 1; they must have the following format:

```
DSPLY
PUNCH  sublib.book1[,sublib.book2...]
DSPCH
```

If the qualifier sublib is omitted, the E sublibrary is assumed. If the de-edited macro is to be updated, the appropriate control statements must follow immediately. (See below.)

Verification and Update Functions

If these functions are specified after a DSPLY, PUNCH, or DSPCH statement listing several books, they will be applied to the last one.

COL Defines location and length of sequence number field.

VER Verifies contents of a specific statement.

ADD Adds statement(s) at a specified point.

DEL Deletes specified statements.

REP Replaces specified statement(s).

RST Indicates that sequence number restart a lower number than a number contained in a specified preceding statement of the macro definition.

END Indicates last update statement.

These control statements can be used to verify and/or update identified statements in an edited macro definition.

Statements are identified either by the sequence number in the identification field or by their position relative to a previous statement that has a sequence number as follows:

seq-no[+rel]

seq-no sequence number of a source statement, 1 to 8 decimal digits in length, as specified in the COL statement.

rel positive decimal number, 1 to 4 digits in length, representing the position of the desired statement relative to the sequence numbered statements.

General Rules for Update Control Statements:

1. Right parenthesis in column 1 and at least one blank before and after operation code.
2. Any seq-no[+rel] must specify a source statement after the previous seq-no[+rel], except that:
 - a. The two numbers specified in a DEL or REP statement may be equal;
 - b. the REP, DEL, ADD, or RST statement may reference the same statement as the immediately preceding VER statement.
3. Any seq-no must be greater than or equal to either the last seq-no in the previous statement or the first seq-no in the same statement.

Exception: The first seq-no in the control statement following the RST statement is independent of the seq-no in the RST statement.

) COL

Specifies the location of the sequence number in the macro definition. If present, this statement must immediately follow the DSPLY, PUNCH or DSPCH statement to which it applies. The format is:

) COL startcol,x

startcol is a decimal number from 73 to 80 which gives the starting position of the sequence number.

x is a decimal number from 1 to 8 giving the length of the sequence number.

If the COL statement is omitted, the default is:

) COL 73,6

) VER

Causes a specific source statement to be verified against the contents of the statement following the VER statement on SYSIPT. Its format is:

) VER seq-no[+rel],len

len is the length of the field to be verified. It is a decimal number with a value of from 1 to 80. Only the first len characters are compared. If the strings do not match, an error message is given.

) ADD

Adds statements to a source macro definition. Its format is:

) ADD seq-no[+rel]

The source statements following the ADD statement are added to the macro definition after the indicated statement number.

) DEL

Deletes one or more statements from a macro source definition. Its format is:

) DEL seq-no[+rel][,seq-no[+rel]]

The statement number indicates the first and last in the series to be deleted. Only the first number is required to delete one statement.

) REP

Replaces one or more statements in a source macro definition with one or more new statements. Its format is:

```
)    REP  seq-no[+rel][,seq-no[+rel]]
```

The source statement(s) following the REP statement replace the statement or series of statements identified by the REP statement.

) RST

Indicates to ESERV that the sequence numbers of the macro definition restart at a lower number after the statement indicated by the RST statement. The format is:

```
)    RST  seq-nof+rel]
```

Note: If an ADD, DEL or REP operation is performed on the last statement in a sequence number series, then the first statement in the new series must be referenced in the RST statement. See example 3.

) END

Indicates the end of the update statements on SYSIPT. Its format is:

```
)    END
```

This statement is required for every updating run.

Error Handling During Update

The following errors will cause cancellation of the update run.

1. Invalid operands in the COL statement.
2. The COL statement is not the first update control statement.
3. The macro is completely de-edited without all update control statements having been processed.
4. Invalid operands in the RST statement.

In all other cases, an error message is printed. Updating continues with the next control statement, if possible. De-editing of the macro will always be completed.

Example 1: De-editing Without Updating

```
// JOB SAMPL1
// EXEC ESERV
   PUNCH E.MAC1,MAC2
   DSPLY MAC3
   DSPCH E.MAC4,E.MAC5
/*
/ε
```

The above coding shows five macros being de-edited in the same run. The resulting listings and/or decks could be used for future updates. Note that the last macro de-edited (MAC5) could also have been updated in this run. All are taken from the macro sublibrary, since E.macname is the default.

Example 2: De-editing with Updating

```
// JOB SAMPLE
// EXEC ESERV
   GENEND
   DSPCH E.MAC1
) COL 77,4
) VER 72+1,5
.PP99
) ADD 72+1
   AIF (&PCH NE 1400).D4
) DEL 102,103+3
) REP 245+4,260
NITA CLC 0(4,REG6),BLANKS
   BE  RETRY6
LYNDA CLC 4(4,REG6),BLANKS
   BE  RETRY7
) END
/*
/ε
```

This example produces a listing on SYSLST and a deck with an END and /* on SYSPCH of the de-edited and updated macro named MAC1. The resulting SYSPCH file (if on tape, disk, or 3540 diskette) could thus be reassigned as SYSIPT for immediate editing by the DGS/VIS assembler with EDECK specified in the option statement.

In addition, the resulting updated edited macro deck could then, in another step, be cataloged to the E sublibrary via MAINT.

Example 3: Restarting

Sequence number in the macro to be updated:

```
0001
0003
0004
0005
0002
0004
0006
0007
0008
```


Sample update statements:

```
// EXEC ESERV
) COL 77,4
) DEL 5
) RST 5+1
) ADD 4
  B NEXT1
) END
```

In this example, GENCATALS is assumed. Since statement 5 (the last in a series) is to be deleted, the RST statement must reference one past the statement being deleted.

PSERV Program

The PSERV program is used to request a service function for the procedure library. Use the following EXEC control statement:

```
// EXEC PSERV
```

One or more of the three service functions can be requested within a single run. Any number of procedures within the procedure library can be acted upon in this run.

DSPLY

The statement used to display procedures is DSPLY.

Statement Format:

```
DSPLY procedurename[,procedurename,...]
DSPLY ALL
```

procedurename specifies the name of the procedure to be displayed. If more than one procedure is to be displayed, the names are separated by commas. Procedure names are from one to eight alphanumeric characters, the first of which must be alphabetic or a \$.

ALL specifies that the entire procedure library is to be displayed.

For the display function, SYSIPT must be assigned to a card reader, a tape unit, a

disk unit, or a 3540 diskette. SYSLST must be assigned to a printer, a tape unit, a disk unit, or a 3540 diskette. SYSLOG must not be assigned to a printer.

PUNCH

The control statement used to punch a procedure is PUNCH.

Statement Format:

```
PUNCH procedurename[,procedurename,...]
PUNCH ALL
```

procedurename represents the name of the procedure to be punched. If more than one procedure is to be punched, the names are separated by commas. The procedure name is from one to eight alphanumeric characters, the first of which must be alphabetic or a \$.

ALL specifies that the entire procedure library is to be punched.

When SYSPCH is assigned to a tape, disk unit, or a 3540 diskette, each card image is preceded by a stacker-select character.

For the punch function, SYSIPT must be assigned to a card reader, a tape unit, a disk unit, or a 3540 diskette. SYSPCH must be assigned to a card punch, a tape unit, a disk unit, or a 3540 diskette. SYSLST must be assigned to a printer, a tape unit, a disk unit, or a 3540 diskette and SYSLOG must not be assigned to a printer.

Whenever the same card read punch is assigned to SYSIPT and also to SYSPCH, enough blank cards for punching the module must follow each PUNCH control statement. This prevents erroneously punching the cards of a following job step. Extra cards are automatically bypassed.

The punched-card output is acceptable to every function that uses procedure input. Each procedure punched is preceded by a CATALP statement. The last card punched is the /* statement.

DSPCH

The control statement used to print and punch procedures is DSPCH.

Statement Format:

```
DSPCH procedurename[,procedurename,...]  
DSPCH ALL
```

procedurename represents the name of the procedure to be displayed and punched. If more than one procedure is to be displayed and punched, the names are separated by commas. Module names are from one to eight alphameric characters, the first of which must be alphabetic or a \$.

ALL specifies that the entire procedure library is to be printed and punched.

When SYSPCH is assigned to a tape or disk unit, or a 3540 diskette, each card image is preceded by a stacker-select character.

For the display and punch function, SYSIPT must be assigned to a card reader, a tape unit, a disk unit, or a 3540 diskette. SYSLST must be assigned to a printer, a tape unit, a disk unit, or a 3540 diskette. SYSPCH must be assigned to a card punch, a tape unit, a disk unit, or a 3540 diskette. SYSLOG must not be assigned to a printer.

Whenever the same card read punch is assigned to SYSIPT and also to SYSPCH, enough blank cards for punching the procedure must follow each DSPCH control statement. This prevents erroneously punching the cards of a following job step. Extra cards are automatically bypassed.

The last card punched by DSPCH is a /* statement.

Function	Unit	Element	Control Statements
Catalog	Core Image Library	Phase	// OPTION CATAL (Linkage Editor control statements and if on SYSIPT, the phase to be cataloged) /* // EXEC LNKEDT
	Relocatable Library	Module	// EXEC MAINT CATALR modulename[,v,m] (module to be cataloged)
	Source Statement Library	Book	// EXEC MAINT CATALS sublib.bookname[,v.m[,C]] (book to be cataloged)
	Procedure Library	Proced.	// EXEC MAINT CATALP procedurename[,VM=v.m][,EOP=yy] ,DATA=NO YES (procedure to be cataloged) /* (or delimiter as specified in EOP parameter)
Compile/ Assemble and Catalog	Relocatable Library	Module	<u>Using a tape file for SYSPCH/SYSIPT with temporary assignments.</u> // ASSGN SYSPCH,X'cuu' CATALR modulename[,v,m] PHASE name,origin[,NOAUTO] // EXEC COBOL (source deck) /* // MTC WTM,SYSPCH,2 // MTC REW,SYSPCH // ASSGN SYSIPT,X'cuu' // EXEC MAINT /;& To compile/assemble more than one program and catalog all of them into the relocatable library, use the same setup except that the compilation/assembly control statements (CATALR through /* inclusive) for each program follow the /* of the preceding program. The MTC statements through /& follow the /* of the last program. This facility is not available for RPG and PL/I compilations or for IBM 2314 or IBM 2319 applications. <u>Using a DASD file for SYSPCH/SYSIPT. (Must always be a permanent assignment.)</u> // DLBL Balance of information // EXTENT required for SYSPCH file ASSGN SYSPCH,X'cuu' CATALR modulename[,v,m] PHASE name,origin[,NOAUTO] // EXEC COBOL (source deck) /* CLOSE SYSPCH,X'00D' // DLBL Balance of information // EXTENT required for SYSIPT file ASSGN SYSIPT,X'cuu' // EXEC MAINT /;&

Figure 20. Maintenance Functions, Example (Part 1 of 3)

Function	Unit	Element	Control Statements
			The 'file-ID' in the DLBL statements must be the same in both sets. To compile/assemble more than one program and catalog all of them into the relocatable library, use the same setup except that the compilation/assembly control statements (CATALR through /* inclusive) for each program follow the /* of the preceding program. CLOSE through /* follow the /* of the last program.
Delete	Core Image Library	Phase	// EXEC MAINT DELETC phase1[,phase2,...]
		Program	// EXEC MAINT DELETC prog1.ALL[,prog2.ALL,...]
	Relocatable Library	Module	// EXEC MAINT DELETR module1[,module2,...]
		Program	// EXEC MAINT DELETR prog1.ALL[,prog2.ALL,...]
		Library	// EXEC MAINT DELETR ALL
	Source Statement Library	Book	// EXEC MAINT DELETS sublib.book1[,sublib.book2,...]
		Sub-library	// EXEC MAINT DELETS sublib.ALL
		Library	// EXEC MAINT DELETS ALL
Procedure Library	Proced.	// EXEC MAINT DELETP procedurename1[,procedurename2,...]	
	Library	// EXEC MAINT DELETP ALL	
Rename	Core Image Library	Phase	// EXEC MAINT RENAMC oldname,newname[,oldname,newname,...]
	Relocatable Library	Module	// EXEC MAINT RENAMR oldname,newname[,oldname,newname,...]
	Source Statement Library	Book	// EXEC MAINT RENAMS sublib.oldname,sublib.newname[,sublib.oldname,sublib.newname,...]
	Procedure Library	Proced.	// EXEC MAINT RENAMP oldname,newname[,oldname,newname....]
Update	Source Statement Library	Book	// EXEC MAINT UPDATE sublib.bookname,[s.book1],[v.m],[nnl) ADD,) DEL, or) REP statements as required with source statements to be added) END [v.m[,C]]

Figure 20. Maintenance Functions, Example (Part 2 of 3)

Function	Unit	Element	Control Statements
Condense	Core Image Library	Library	// EXEC MAINT CONDS CL
	Relocatable Library	Library	// JOB jobname // EXEC MAINT CONDS RL
	Source Statement Library	Library	// EXEC MAINT CONDS SL
	Procedure Library	Library	// EXEC MAINT CONDS PL
	Libraries	All	// EXEC MAINT CONDS CL,RL,SL,PL
Set Parameter for Condense Message	Libraries	Any or All	// EXEC MAINT CONDL lib=nnnnn[,lib=nnnnn,...] <u>Notes:</u> Values to be substituted for <u>lib</u> : CL -- Core image library PL -- Procedure Library RL -- Relocatable library SL -- Source statement library Values to be substituted for <u>nnnnn</u> : One to five decimal digits, with a maximum value of 65535.
Reallo- cation	System	Library	// DLBL IJSYSRS, 'DOS SYSTEM RESIDENCE FILE'date,code // EXTENT SYSRES,balance of extent information // EXEC MAINT ALLOC CL=cylin(tracks),RL=cylin(tracks), SL=cylin(tracks),PL=cylin(tracks) <u>Notes:</u> The library identifiers are as follows: CL -- Core image library PL -- Procedure Library RL -- Relocatable library SL -- Source statement library Values to be substituted for <u>cylin</u> and <u>tracks</u> : any integer.

Note: // JOB, /*, and /% must be included where needed.

Figure 20. Maintenance Functions, Example (Part 3 of 3)

Display Unit	Element	Control Statements
Core Image Library	Phase	// EXEC CSERV DSPLY phase1[,phase2,...]
	Program	// EXEC CSERV DSPLY prog1,ALL[,prog2.ALL,...]
	Library	// EXEC CSERV DSPLY ALL
	Directory	// EXEC DSERV DSPLY CD or DSPLYS CD
	Phases(s) with Version and Modification Level	<u>In the standard position:</u> // EXEC DSERV DSPLY[S] CD(phasename) or CD(phasename)
	Phase(s) with Version and Modification Level	<u>In the nonstandard position or higher than DSERV in use:</u> // EXEC DSERV DSPLY[S] CD(phasename,nn) or CD(phasename,nn)
Relocatable Library	Module	// EXEC RSERV DSPLY module1[,module2,...]
	Program	// EXEC RSERV DSPLY prog1.ALL[,prog2.ALL,...]
	Library	// EXEC RSERV DSPLY ALL
	Directory	// EXEC DSERV DSPLY RD or DSPLYS RD
Source Statement Library (except macro sublibrary)	Book	// EXEC SSERV DSPLY sublib.book1[,sublib.book2,...]
	Sublibrary	// EXEC SSERV DSPLY sublib1.ALL[,sublib2.ALL,...]
	Library	// EXEC SSERV DSPLY ALL
	Directory	// EXEC DSERV DSPLY SD or DSPLYS SD
	Macro Sublibrary	// EXEC ESERV GENEND DSPLY E.book1[,E.book2,...]
Procedure Library	Procedure	// EXEC PSERV DSPLY procedurename1[,procedurename2,...]
	Library	// EXEC PSERV DSPLY ALL
	Directory	// EXEC DSERV DSPLY PD or DSPLYS PD

Figure 21. Service Functions, Example (Part 1 of 3)

Display Unit	Element	Control Statements
Transient Directory	Directory	// EXEC DSERV DSPLY TD or DSPLYS TD
System Directory	Directory	// EXEC DSERV
Directories	All	// EXEC DSERV DSPLY ALL or DSPLYS ALL
System Directory List	Directory List	// EXEC DSERV DSPLY SDL or DSPLYS SDL
Punch Unit	Element	Control Statements
Core Image Library	Phase	// EXEC CSERV PUNCH phase1[,phase2,...]
	Program	// EXEC CSERV PUNCH prog1.ALL[,prog2.ALL,...]
	Library	// EXEC CSERV PUNCH ALL
Relocatable Library	Module	// EXEC RSERV PUNCH module1[,module2,...]
	Program	// EXEC RSERV PUNCH prog1.ALL[.prog2.ALL,...]
	Library	// EXEC RSERV PUNCH ALL
Source Statement Library (except macro sublibrary)	Book	// EXEC SSERV PUNCH sublib.book1[,sublib.book2,...][,CMPRSD]
	Sublibrary	// EXEC SSERV PUNCH sublib1.ALL[,sublib2.ALL,...][,CMPRSD]
	Library	// EXEC SSERV PUNCH ALL[,CMPRSD]
	Macro Sublibrary	// EXEC ESERV GENEND PUNCH E.book1[,E.book2,...]
Procedure Library	Procedure	// EXEC PSERV PUNCH procedurename1[,procedurename2,...]
	Library	// EXEC PSERV PUNCH ALL

Figure 21. Service Functions, Example (Part 2 of 3)

Display and Punch Unit	Element	Control Statements
Core Image Library	Phase	// EXEC CSERV DSPCH phase1[,phase2,...]
	Program	// EXEC CSERV DSPCH prog1.ALL[,prog2.ALL,...]
	Library	// EXEC CSERV DSPCH ALL
Relocatable Library	Module	// EXEC RSERV DSPCH module1[,module2,...]
	Program	// EXEC RSERV DSPCH prog1.ALL[,prog2.ALL,...]
	Library	// EXEC RSERV DSPCH ALL
Source Statement Library (except macro sublibrary)	Book	// EXEC SSERV DSPCH sublib.book1[,sublib.book2,...][,CMPRSD]
	Sublibrary	// EXEC SSERV DSPCH sublib1.ALL[,sublib2.ALL,...][,CMPRSD]
	Library	// EXEC SSERV DSPCH ALL[,CMPRSD]
	Macro Sublibrary	// EXEC ESERV GENEND DSPCH E.book1[,E.book2,...]
Procedure Library	Procedure	// EXEC PSERV DSPCH procedurename1[,procedurename2,...]
	Library	// EXEC PSERV DSPCH ALL

Note: // JOB, /*, and /& must be included where needed.

Figure 21. Service Functions, Example (Part 3 of 3)

Copy Unit	Element	Control Statements
Core Image Library	Phase	// ASSGN SYS002,X'cuu' // DLBL IJSYSRS,'DOS/VB SYSTEM RESIDENCE FILE',date,code // EXTENT SYS002,balance of extent information // EXEC CORGZ ALLOC CL=cylin(tracks),RL=cylin(tracks), SL=cylin(tracks),PL=cylin(tracks) COPYC phase1[,phase2,...]
	Program	// ASSGN SYS002,X'cuu' // DLBL IJSYSRS,'DOS/VB SYSTEM RESIDENCE FILE',date,code // EXTENT SYS002,balance of extent information // EXEC CORGZ ALLOC CL=cylin(tracks),RL=cylin(tracks), SL=cylin(tracks),PL=cylin(tracks) COPYC prog1.ALL[,prog2.ALL,...]
	Library	// ASSGN SYS002,X'cuu' // DLBL IJSYSRS,'DOS/VB SYSTEM RESIDENCE FILE',date,code // EXTENT SYS002,balance of extent information // EXEC CORGZ ALLOC CL=cylin(tracks),RL=cylin(tracks), SL=cylin(tracks),PL=cylin(tracks) COPYC ALL
Relocatable Library	Module	// ASSGN SYS002,X'cuu' // DLBL IJSYSRS,'DOS/VB SYSTEM RESIDENCE FILE',date,code // EXTENT SYS002,balance of extent information // EXEC CORGZ ALLOC CL=cylin(tracks),RL=cylin(tracks), SL=cylin(tracks),PL=cylin(tracks) COPYR module1[,module2,...]
	Program	// ASSGN SYS002,X'cuu' // DLBL IJSYSRS,'DOS/VB SYSTEM RESIDENCE FILE',date,code // EXTENT SYS002,balance of extent information // EXEC CORGZ ALLOC CL=cylin(tracks),RL=cylin(tracks), SL=cylin(tracks),PL=cylin(tracks) COPYR prog1.ALL[,prog2.ALL,...]
	Library	// ASSGN SYS002,X'cuu' // DLBL IJSYSRS,'DOS/VB SYSTEM RESIDENCE FILE',date,code // EXTENT SYS002,balance of extent information // EXEC CORGZ ALLOC CL=cylin(tracks),RL=cylin(tracks), SL=cylin(tracks),PL=cylin(tracks) COPYR ALL

Figure 22. Copy Function, Example (Part 1 of 5)

Copy Unit	Element	Control Statements
Source Statement Library	Book	// ASSGN SYS002,X'cuu' // DLBL IJSYSRS,'DOS/VS SYSTEM RESIDENCE FILE',date,code // EXTENT SYS002,balance of extent information // EXEC CORGZ ALLOC CL=cylin(tracks),RL=cylin(tracks), SL=cylin(tracks),PL=cylin(tracks) COPYS sublib.book1[,sublib.book2,...]
	Sublibrary	// ASSGN SYS002,X'cuu' // DLBL IJSYSRS,'DOS/VS SYSTEM RESIDENCE FILE',date,code // EXTENT SYS002,balance of extent information // EXEC CORGZ ALLOC CL=cylin(tracks),RL=cylin(tracks), SL=cylin(tracks),PL=cylin(tracks) COPYS sublib1.ALL[,sublib2.ALL,...]
	Library	// ASSGN SYS002,X'cuu' // DLBL IJSYSRS,'DOS/VS SYSTEM RESIDENCE FILE',date,code // EXTENT SYS002,balance of extent information // EXEC CORGZ ALLOC CL=cylin(tracks),RL=cylin(tracks), SL=cylin(tracks),PL=cylin(tracks) COPYS ALL
Procedure Library	Procedure	// ASSGN SYS002,X'cuu' // DLBL IJSYSRS,'DOS/VS SYSTEM RESIDENCE FILE',date,code // EXTENT SYS002,balance of extent information // EXEC CORGZ ALLOC CL=cylin(tracks),RL=cylin(tracks), SL=cylin(tracks),PL=cylin(tracks) COPYP procedurename1[,procedurename2,...]
	Library	// ASSGN SYS002,X'cuu' // DLBL IJSYSRS,'DOS/VS SYSTEM RESIDENCE FILE',date,code // EXTENT SYS002,balance of extent information // EXEC CORGZ ALLOC CL=cylin(tracks),RL=cylin(tracks), SL=cylin(tracks),PL=cylin(tracks) COPYP ALL
Libraries	All	// ASSGN SYS002,X'cuu' // DLBL IJSYSRS,'DOS/VS SYSTEM RESIDENCE FILE',date,code // EXTENT SYS002,balance of extent information // EXEC CORGZ ALLOC CL=cylin(tracks),RL=cylin(tracks), SL=cylin(tracks),PL=cylin(tracks) COPY ALL

Figure 22. Copy Function, Example (Part 2 of 5)

Copy Unit	Element	Control Statements
Definition of a Private Library (Note 2)	Core Image	// ASSGN SYS003,X'cuu' // DLBL IJSYSPC,'user identification of private library',date,code // EXTENT SYS003,balance of extent information // EXEC CORGZ NEWVOL CL=cylin(tracks)
	Relocatable	// ASSGN SYSRLB,X'cuu' // DLBL IJSYSRL,'user identification of private library',date,code // EXTENT SYSRLB,balance of extent information // EXEC CORGZ NEWVOL RL=cylin(tracks)
	Source Statement	// ASSGN SYSSLB,X'cuu' // DLBL IJSYSSL,'user identification of private library',date,code // EXTENT SYSSLB,balance of extent information // EXEC CORGZ NEWVOL SL=cylin(tracks)
Definition and Creation of a Private Library (Note 2)	Core Image	// ASSGN SYS003,X'cuu' // DLBL IJSYSPC,'user identification of private library',date,code // EXTENT SYS003,balance of extent information // EXEC CORGZ NEWVOL CL=cylin(tracks) COPYC operands
	Relocatable	// ASSGN SYSRLB,X'cuu' // DLBL IJSYSRL,'user identification of private library',date,code // EXTENT SYSRLB,balance of extent information // EXEC CORGZ NEWVOL RL=cylin(tracks) COPYR operands
	Source Statement	// ASSGN SYSSLB,X'cuu' // DLBL IJSYSSL,'user identification of private library',date,code // EXTENT SYSSLB, balance of extent information // EXEC CORGZ NEWVOL SL=cylin(tracks) COPYS operands
Merge System Residence to New System Residence		// ASSGN (statements as required) // DLBL IJSYSRS,'NEW SYSTEM RESIDENCE',date,code // EXTENT SYS002,balance of extent information // EXEC CORGZ MERGE RES,NRS COPY statements (COPYC, COPYR, COPYS, COPYP, COPYI) as required
Merge New System Residence to System Residence		// ASSGN (statements as required) // DLBL IJSYSRS,'NEW SYSTEM RESIDENCE',date,code // EXTENT SYS002,balance of extent information // EXEC CORGZ MERGE NRS,RES COPY statements (COPYI, COPYC, COPYR, COPYS, COPYP) as required

Figure 22. Copy Function, Example (Part 3 of 5)

Copy Unit	Element	Control Statement
Merge System Residence to Private Libraries		<pre>// ASSGN (statements as required) // DLBL IJSYSRL,'PRIVATE RELOCATABLE LIBRARY',date,code // EXTENT SYSRLB,balance of extent information // DLBL IJSYSSL,'PRIVATE SOURCE STATEMENT LIBRARY',date,code // EXTENT SYSSLB,balance of extent information // DLBL IJSYSCL,'PRIVATE CORE IMAGE LIBRARY',date,code // EXTENT SYSCLB,balance of extent information ASSGN SYSCLB,X'cuu' // EXEC CORGZ MERGE RES,PRV COPY statements (COPYI, COPYR, COPYS, COPYC) as required</pre>
Merge New System Residence to Private Libraries		<pre>// ASSGN (statements as required) // DLBL IJSYSRS,'NEW SYSTEM RESIDENCE',date,code // EXTENT SYS002,balance of extent information // DLBL IJSYSRL,'PRIVATE RELOCATABLE LIBRARY',date,code // EXTENT SYSRLB,balance of information // DLBL IJSYSSL,'PRIVATE SOURCE STATEMENT LIBRARY',date,code // EXTENT SYSSLB,balance of extent information // DLBL IJSYSCL,'PRIVATE CORE IMAGE LIBRARY',date,code // EXTENT SYSCLB,balance of extent information ASSGN SYSCLB,X'cuu' // EXEC CORGZ MERGE NRS,PRV COPY statements (COPYR, COPYS, COPYC) as required</pre>
Merge Private Libraries to System Residence		<pre>// ASSGN (statements as required) // DLBL IJSYSPR,'PRIVATE RELOCATABLE LIBRARY',date,code // EXTENT SYS001,balance of extent information // DLBL IJSYSPS,'PRIVATE SOURCE STATEMENT LIBRARY',date,code // EXTENT SYS000,balance of extent information // DLBL IJSYSPC,'PRIVATE CORE IMAGE LIBRARY',date,code // EXTENT SYS003,balance of extent information // EXEC CORGZ MERGE PRV,RES COPY statements (COPYR, COPYS, COPYC) as required</pre>

Figure 22. Copy Function, Example (Part 4 of 5)

Copy Unit	Element	Control Statement
Merge Private Libraries to New System Residence		<pre>// ASSGN (statements as required) // DLBL IJSYSRS,'NEW SYSTEM RESIDENCE',date,code // EXTENT SYS002,balance of extent information // DLBL IJSYSPR,'PRIVATE RELOCATABLE LIBRARY',date,code // EXTENT SYS001,balance of extent information // DLBL IJSYSPS,'PRIVATE SOURCE STATEMENT LIBRARY',date,code // EXTENT SYS000,balance of extent information // DLBL IJSYSPC,'PRIVATE CORE IMAGE LIBRARY',date,code // EXTENT SYS003,balance of extent information // EXEC CORGZ MERGE PRV,NRS COPY statements (COPYR, COPYS, COPYC) as required</pre>
Merge Private Libraries to Private Libraries		<pre>// ASSGN (statements as required) // DLBL IJSYSRL,'NEW PRIVATE RELOCATABLE LIBRARY',date,code // EXTENT SYSRLB,balance of extent information // DLBL IJSYSPR,'EXISTING PRIVATE RELOCATABLE LIBRARY',date,code // EXTENT SYS001,balance of extent information // DLBL IJSYSSL,'NEW PRIVATE SOURCE STATEMENT LIBRARY',date,code // EXTENT SYSSLB,balance of extent information // DLBL IJSYSPS,'EXISTING PRIVATE SOURCE STATEMENT LIBRARY',date,code // EXTENT SYS000,balance of extent information // DLBL IJSYSCL,'NEW PRIVATE CORE IMAGE LIBRARY',date,code // EXTENT SYSCLB,balance of extent information ASSGN SYSCLB,X'cuu' // DLBL IJSYSPC,'EXISTING PRIVATE CORE IMAGE LIBRARY',date,code // EXTENT SYS003,balance of extent information // EXEC CORGZ MERGE PRV,PRV COPY statements (COPYR, COPYS, COPYC) as required</pre> <p><u>To define the private library in the same job step, precede MERGE with a NEWVOL statement, except for COPYC statements.</u></p>

Notes:

1. // JOB, /*, and /& must be included where needed.
2. The private library can be updated with either a MAINT or a copy MERGE function.

Figure 22. Copy Function, Example (Part 5 of 5)

System Buffer Load

SYSBUFLD Program

SYSBUFLD is a special service program that loads the UCB (Universal Character Set Buffer) and the FCB (Forms Control Buffer) for the 3203, 5203, and the PRT1 (3211, 3203-4) printers with buffer load phases. For a 5203 without the universal character set (UCS) feature, only the FCB is loaded. To load the UCB of the printers, the corresponding buffer load phases must reside in the core image library with valid phase names. SYSBUFLD is self-relocating and requires 2K of storage for its execution.

SYSBUFLD is executed in your job stream when it is necessary to change the contents of either the UCB or the FCB. This program is distinct from job control and is initiated by the statement:

```
// EXEC SYSBUFLD
```

SYSBUFLD then reads a control statement from SYSIPT, which identifies the printer and the type of buffer load to be performed.

FCB

The format of this statement for the FCB is:

```
FCB SYSxxx[,phasename]
```

UCB

The format of the statement for the UCB is:

```
UCB SYSxxx[,phasename]
    [,FOLD][,NOCHK]
    [,NULMSG]
```

Operation

The operation defines the type of buffer load to be performed.

FCB operation loads either a phase in a core image library or an FCB load (on SYSIPT following the SYSBUFLD control statement) into the FCB in the control unit. The EBCDIC characters of the FCB load correspond to the lines of printing for any single form. The maximum number of lines per form is 192 for 3203, 255 for PRT1, and 112 for 5203. When a form-skip command is issued to the printer, forms movement is initiated. A character of the form-skip command is compared to the character in the FCB. When a match occurs,

forms movement is terminated. Thus, the FCB can adapt the printer to many variable forms.

UCB operation loads the phase from a core image library into the UCB in the control unit. The UCB load corresponds to the print positions on the printer trains. A character sent to the printer for printing is matched against the character in the UCB. When a match occurs, the corresponding train character is printed in the printline position that the output character occupied. Thus, with the use of SYSBUFLD and the trains available, the printers can be adapted to many printing applications.

The following standard UCB load phases are supplied in the core image library:

Printer	Phase Name	Train Type	
3203	\$\$BUCB3	AN	
PRT1 {	3211	\$\$BUCB	A11
	3203-4	\$\$BUCB00	AN
5203	\$\$BUCB5	AN	

Additional UCB loads (including a copy of the standard one) are supplied in the relocatable library:

Printer	Module Name	Train Type
3203	IJBTRAN	AN or HN
	IJBTRGN	GN
	IJBTRONA	ONA
	IJBTRPAN	PCS-AN
	IJBTRPHN	PCS-HN
	IJBTRPN	PN
	IJBTRQNC	QNC
	IJBTRQN	QN
	IJBTRRN	RN
	IJBTRSN	SN
	IJBTRTN	TN
	IJBTRYN	YN
	IJBTRALA	ALA
	3203-4	IJBTVAN
IJBTVGN		GN
IJBTVOAA		OAA
IJBTVOAB		OAB
IJBTVODA		ODA
IJBTVONA		ONA
IJBTVPAN		PCS-AN
IJBTVPHN		PCS-HN
IJBTVPN		PN

Printer	Module Name	Train Type
3203-4	IJBTVQNC	QNC
	IJBTVQN	QN
	IJBTVRN	RN
	IJBTVSN	SN
	IJBTVTN	TN
	IJBTVYN	YN
	IJBTVALA	ALA
3211	<u>IJBTRA11</u>	<u>A11</u>
	IJBTRG11	G11
	IJBTRH11	H11
	IJBTRP11	P11
	IJBTRT11	T11
5203	<u>IJBTRAN</u>	<u>AN</u> or <u>HN</u>
	IJBTRGN	GN
	IJBTRPN	PN

The additional UCB loads must be cataloged to a core image library before their execution. They can be assigned any valid phasename.

For dualing feature support during IPL (applies to 3203, PRT1, and 5203 printers), develop your own buffer image and catalog it into the core image library with the phasename \$\$BUCB3 for the 3203, \$\$HUCB for the 3211, \$\$BUCB5 for the 5203, and \$\$BUCB00 for the 3203-4. (Refer to the publication IBM 3211/3216/3811 Component Description and Operating Procedures, GA24-3543, for further information on the dualing capability.)

It is your responsibility to:

- Assemble, link-edit, and catalog any FCB load phases into the core image library and
- Link-edit and catalog any IBM-supplied UCB load phases or assemble, link-edit, and catalog any user-written UCB load phases into the core image library, and
- Mount the new train before the UCB is loaded.

Operands

SYSxxx

The name of the logical unit assigned to a 3203, PRT1, or 5203 printer to be loaded is SYSxxx. It must be SYSLST, SYSLOG, or a programmer logical unit.

Note: If SYSLOG is specified in the SYSEBUFLD control statement, it must be assigned to a 3203, PRT1, or 5203 printer.

phasename

The core image name of the phase containing the applicable buffer load. If FCB is specified and phasename is omitted, an FCB load from SYSIPT is assumed.

FOLD

FOLD signifies that the UCSB buffer is to be loaded with the folding operation code to permit printing of uppercase for lowercase bit configurations. FOLD is optional and only valid for UCB.

NOCHK

NOCHK prevents the data checks that are generated by the printer because of printline character mismatches with the UCSB buffer. NOCHK is optional and only valid for UCB.

NULMSG

NULMSG signifies that the 80-character verification message is not to be printed on SYSxxx after the buffer is loaded. If NULMSG is not specified after the FCB or UCB has been loaded, the program skips to channel 1, issues a print of the last 80 characters in the phase, and again skips to channel 1. This is repeated for each message.

This message could identify the phase that was loaded. During a UCB load, the train of the printer could be identified by printing a unique character of the train in the message. This would ensure that the mounted train of the printer is compatible with the contents of the UCB.

How to Use SYSEBUFLD

The UCB phase format for the 3211 is:

432-character UCB load	80-character field (see <u>User Written UCB Load Phase</u>)	80-character verification message
------------------------	--------------------------------------------------------------	-----------------------------------

The UCB phase format for the 3203-4 is:

240-character UCB load	272 bytes: 64 bytes character field; 208 bytes X'00' for adjustment to 3211 format	80-character verification message
------------------------	------------------------------------------------------------------------------------	-----------------------------------

The UCB phase format for a 3203 and 5203 printer is:

240-character UCB load 80-character verification message

256 character FCB image 80-character verification message

Note 1: The indexing byte on a 3203-4 will be ignored.

The FCB phase format for a 3203, PRT1, and 5203 printer is:

nnn-character FCB load 80-character verification message

Note 2: Other than §§BFCB (3211), §§BFCB00 (3203-4), §§BFCB3 (3203), and §§BFCB5 (5203), which are loaded by IPL, no additional FCB loads are supplied by IBM.

where nnn = 192 for 3203
255 for PRT1
112 for 5203

Note 3: Both a UCB phase and an FCB phase must include the 80-character verification message.

If the FCB phase for a PRT1 printer includes the indexing control byte, the phase format is:

Note 4: The indexing control byte for a 3211 is valid only for the FCB phase format.

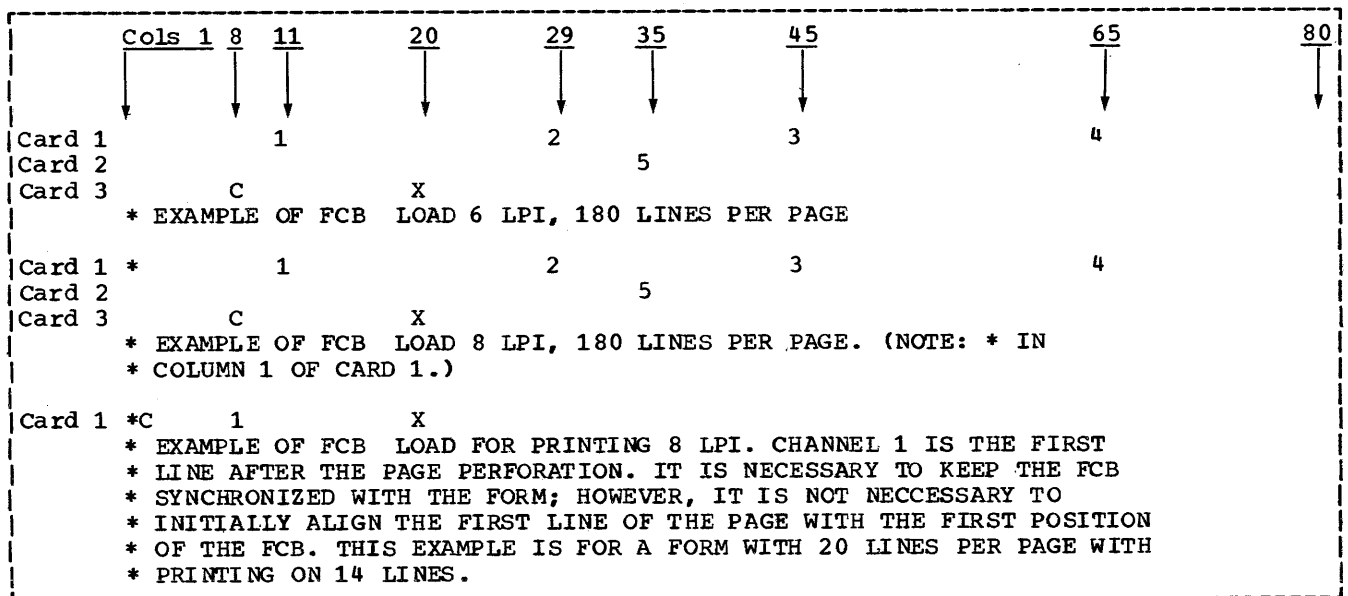


Figure 23. FCB SYSIPT Load Examples for PRT1 Printer

The FCB SYSIPT format is:

FCB load (see example in Figure 23) (maximum of 112 (5203), 255 (PRT1), 192 (3203) bytes.

The verification message is not allowed. When loading the FCB from SYSIPT, the FCB load statements must follow the FCB SYSxxx control statement.

The FCB characters for phase and SYSIPT format are:

Channel Indication	Phase Format (in Hex)	SYSIPT Code
Null (Space)	00	blank
Channel 1	01	1
Channel 2	02	2

Channel 3	03	3
Channel 4	04	4
Channel 5	05	5
Channel 6	06	6
Channel 7	07	7
Channel 8	08	8
Channel 9	09	9
Channel 10	0A	A
Channel 11	0B	B
Channel 12	0C	C
End of FCB	1n	X
8 Lines per inch ¹	1n	* (in col. 1)

¹(Applies to a PRT1 printer only. The 3203 and 5203 have a hardware switch to indicate the line density.)

Note: Channel and End-of-Forms cannot be indicated in the same line for the 3203 or the 5203.

When the FCB phase format is used, bit position 3 (the flag bit) of any channel indication specifies the end of the buffer (for example, X'1C') and, if used for a PRT1 in the first buffer position, printing is forced to 8 lines per inch (for example, X'11'). When the FCB is being loaded from SYSIPT, an X must be used to indicate the end of the buffer.

Figure 24 is an example of how to use SYSBUFLD. In the example, the first job step of each job loads the FCB from a core-image phase and the UCB.

```

// JOB ONE
// EXEC SYSBUFLD      (load the FCB and
FCB SYSLST,PHASE1 UCSB for PROG001)
UCB SYSLST,UCBPH001,FOLD,NOCHK,NULMSG
/*
// EXEC PROG001
/*
/£
// JOB TWO
// EXEC SYSBUFLD      (load the FCB and
FCB SYSLST,UCBPH002 UCSB for PROG002)
FCB SYSLST,PHASE2
/*
// EXEC PROG002
/*
/£

```

Figure 24. System Buffer Load Example

USER-WRITTEN FCB LOAD PHASE

Figure 25 shows how PHASE001 might be defined, assembled, and cataloged to the core image library for an FCB load.

```

// JOB FCXAMPLE
// OPTION CATAL,DECK
// EXEC ASSEMBLY
PUNCH ' PHASE PHASE001,+0'
START
DC X'01' CHANNEL 1 & 1ST LINE OF PAGE *
DC XL64'00' 64 LINES OF PAGE
DC X'1C' CHANNEL 12 & LAST LINE PAGE
DC XL114'00' UNUSED BUFFER POSITIONS
DC CL80'FCB PHASE001 LOADED' MESSAGE
END
/*
// EXEC LNKEDT
/£

```

*Channel and End-of-Forms cannot be indicated in the same line for the 3203 or 5203.

Figure 25. FCB Load Program

An example of the instructions that should be written for these printers is given below:

```

DC XL63'00' 63 LINES OF PAGE
DC X'0C' CHANNEL 12
DC X'10' END OF FORMS

```

USER-WRITTEN UCB LOAD PHASE

If your 3203, PRT1, or 5203 printer uses a special train configuration, then you must assemble, link-edit, and catalog the UCB load phase for the special train into the core image library. The UCB load phase format for the 3211 is:

<u>Position</u>	<u>Comment</u>
1-432	Train image. The hexadecimal equivalent of all characters on the train.
433-447	Zeros.
448-511	Associative field. This is used by the 3811 Control Unit to check for invalid hexadecimal characters sent to the 3211. For a complete description of this field and how to prepare it, see <u>IBM 3211/3216/3811 Component Description and Operating Procedures, GA24-3543.</u>
512	Zero.
513-592	Verification message.

The UCB load phase format for the 3203-4 is:

<u>Position</u>	<u>Comment</u>
1-240	Train image. The hexadecimal equivalent of all characters on the train.
241-304	Associative Field (for checking invalid characters). For a complete description of this field and how to prepare it, see <u>IBM 3203 Printer Component Description and Operator's Guide, GA33-1515.</u>
305-512	X'00'. For adjustment to the PRT1 format.
513-592	Verification message.

The UCB load phase format for the 3203 and 5203 is:

<u>Position</u>	<u>Comment</u>
1-240	Train image. The hexadecimal equivalent of all characters on the train.
241-320	Verification message.

SYSBUFLD MESSAGES

Appropriate messages are issued when an invalid parameter specification is made or when a required parameter is omitted. With the exception of an invalid phasename, all errors on the control statement may be corrected through SYSLOG. An invalid phasename cancels the job.

SYSBUFLD UNDER POWER/VS

POWER/VS supports spooling of 3203, PRT1, and 5203 UCB and FCB load commands as given by the service program SYSBUFLD.

When jobs are executed under POWER/VS, pages are formatted by posting channel 9 and channel 12 as specified in the LINETAB parameter of the * \$\$ PRT statement. When the output of the job is finally printed, skip operations are performed according to the current contents of the forms control buffer. The contents of the buffer must therefore correspond to the specifications of the LTAB operand.

LOADING AN FCB

The contents of an FCB may be changed anywhere within a job entry. The job to

load an FCB may also be submitted as a single job entry.

A job entry that loads a special buffer should reset the buffer to its normal contents before the job entry is terminated. If that is not possible, the FCB may be reset by submitting a separate FCB load job entry that resets the buffer to normal contents.

LOADING A UCB

A UCB may be loaded under control of POWER/VS by submitting the following statements anywhere within a job entry:

```
[// JOB]
// EXEC SYSBUFLD
      UCB SYSLST, phasename, FOLD, NOCHK
[/6]
```

This job may also be submitted as a separate job entry.

A UCB load is executed as soon as it is encountered in the print-line image stream. It does not force POWER/VS to stop printing. Note: NOCHK should always be specified in the UCB statement to avoid data checks in the print writer routine.

Appendix A: Job Control Summary

Appendix A contains a summary of the following:

- Job Control Statements (JCS) which must be preceded by // blank in positions 1, 2, and 3.
- Job Control Commands (JCC).
- Attention Routine Commands (AR).

Name	Operation	Operand	Remarks																																																																																
	ALLOC Valid for JCC, AR	Fn=mK [,Fn=mK] ...	Allocates foreground program areas in the virtual address area. Value of m must be either 0 (inactive) or a minimum of 64 (active) and an even number. The order of operands is arbitrary. At least one operand must be specified.																																																																																
	ALLOCR Valid for JCC, AR	[BGR=mK] [,FnR=mK] ...	Allocates real address area among foreground and background programs. Value of m is zero or even number. The order of operands is arbitrary. At least one operand must be specified.																																																																																
	ALTER Valid for AR	xxxxxx	Alters 1 to 16 bytes of virtual storage. xxxxxx is the hexadecimal address where alteration is to start.																																																																																
[//]	ASSGN Valid for JCS, JCC	<p><u>For any device</u></p> <p>SYSxxx, { X'cuu' (address-list) SYSyyy UA IGN } [,TEMP] [,PERM]</p> <p><u>For disks</u></p> <p>SYSxxx, { X'cuu' (address-list) SYSyyy DISK 2311 2314 3330 3330B 3340 3350 } [,TEMP][VOL=no][SHR] [,PERM]</p> <p><u>For diskettes</u></p> <p>SYSxxx, { X'cuu' (address-list) SYSyyy DISKETTE 3540 } [,TEMP][VOL=no] [,PERM]</p> <p><u>For tapes</u></p> <p>SYSxxx, { X'cuu' (address-list) SYSyyy TAPE 2400T7 2400T9 3410T7 3410T9 3420T7 3420T9 } [,X'ss'] [,TEMP][VOL=no] [,ALT][PERM]</p>	<p>SYSxxx can be SYSRDR SYSIPT SYSIN SYSPCH SYSLST SYSOUT SYSLOG SYSLNK SYSREC SYSRLB SYSSLB SYSCLB SYSnnn</p> <p>X'cuu': c = 0-6 uu = 00-FE (0-254) in hex</p> <p>address-list: a list of up to seven device addresses in the form (X'cuu',...,X'cuu')</p> <p>UA: unassign</p> <p>IGN: unassign and ignore (invalid for SYSCLB, SYSRDR, SYSIPT, and SYSIN)</p> <p>SYSyyy: any system or programmer logical unit</p> <p>device-class: READER, PRINTER, PUNCH, TAPE, DISK or DISKETTE</p> <p>device-type: device code of any supported device</p> <p>X'ss': used for magnetic tape only.</p> <table border="1"> <thead> <tr> <th>ss</th> <th>Bytes per inch</th> <th>Parity</th> <th>Translate Feature</th> <th>Convert Feature</th> </tr> </thead> <tbody> <tr><td>10</td><td>200</td><td>odd</td><td>off</td><td>on</td></tr> <tr><td>20</td><td>200</td><td>even</td><td>off</td><td>off</td></tr> <tr><td>28</td><td>200</td><td>even</td><td>on</td><td>off</td></tr> <tr><td>30</td><td>200</td><td>odd</td><td>off</td><td>off</td></tr> <tr><td>38</td><td>200</td><td>odd</td><td>on</td><td>off</td></tr> <tr><td>50</td><td>556</td><td>odd</td><td>off</td><td>on</td></tr> <tr><td>60</td><td>556</td><td>even</td><td>off</td><td>off</td></tr> <tr><td>68</td><td>556</td><td>even</td><td>on</td><td>off</td></tr> <tr><td>70</td><td>556</td><td>odd</td><td>off</td><td>off</td></tr> <tr><td>78</td><td>556</td><td>odd</td><td>on</td><td>off</td></tr> <tr><td>90</td><td>800</td><td>odd</td><td>off</td><td>on</td></tr> <tr><td>A0</td><td>800</td><td>even</td><td>off</td><td>off</td></tr> <tr><td>A8</td><td>800</td><td>even</td><td>on</td><td>off</td></tr> <tr><td>B0</td><td>800</td><td>odd</td><td>off</td><td>off</td></tr> <tr><td>B8</td><td>800</td><td>odd</td><td>on</td><td>off</td></tr> </tbody> </table>	ss	Bytes per inch	Parity	Translate Feature	Convert Feature	10	200	odd	off	on	20	200	even	off	off	28	200	even	on	off	30	200	odd	off	off	38	200	odd	on	off	50	556	odd	off	on	60	556	even	off	off	68	556	even	on	off	70	556	odd	off	off	78	556	odd	on	off	90	800	odd	off	on	A0	800	even	off	off	A8	800	even	on	off	B0	800	odd	off	off	B8	800	odd	on	off
ss	Bytes per inch	Parity	Translate Feature	Convert Feature																																																																															
10	200	odd	off	on																																																																															
20	200	even	off	off																																																																															
28	200	even	on	off																																																																															
30	200	odd	off	off																																																																															
38	200	odd	on	off																																																																															
50	556	odd	off	on																																																																															
60	556	even	off	off																																																																															
68	556	even	on	off																																																																															
70	556	odd	off	off																																																																															
78	556	odd	on	off																																																																															
90	800	odd	off	on																																																																															
A0	800	even	off	off																																																																															
A8	800	even	on	off																																																																															
B0	800	odd	off	off																																																																															
B8	800	odd	on	off																																																																															

Figure 26. Job Control Summary (Part 1 of 8)

Name	Operation	Operand	Remarks
	(ASSGN continued)	<p><u>For printers</u></p> <p>SYSxxx X'cuu' (address-list) [TEMP] [PERM]</p> <p>SYSyyy PRINTER PRT1 see Note 1403 1403U 1443 3203 3211 3800 3800B 3800C 3800BC 5203 5203U</p> <p><u>For card (read) punches</u></p> <p>SYSxxx X'cuu' (address-list) [TEMP] [PERM]</p> <p>SYSyyy PUNCH 1442N1 1442N2 2520B1 2520B2 2520B3 2540P 2560 [H1] [H2] 2596 3525P 3525RP 5425 [H1] [H2]</p> <p><u>For card readers</u></p> <p>SYSxxx X'cuu' (address-list) [TEMP] [PERM]</p> <p>SYSyyy READER 1442N1 2501 2520B1 2540R 2560 [H1] [H2] 2596 3504 3505 3525RP 5425 [H1] [H2]</p>	<p>C0 800 single density 9 track tape C0 1600 single density 9 track tape C0 1600 dual density 9 track tape C8 800 dual density 9 track tape D0 6250 single density 9 track tape D0 6250 dual density 9 track tape</p> <p>ALT: specifies alternate tape unit.</p> <p>H1: specifies input hopper one for input on 2560 or 5425. Is assumed if neither H1 nor H2 is specified.</p> <p>H2: specifies input hopper two for input on 2560 or 5425 (invalid for programmer units and POWER).</p> <p>PERM: the assignment is permanent.</p> <p>TEMP: the assignment is temporary.</p> <p>VOL=no: volume serial number of the tape, disk, or diskette required.</p> <p>SHR: indicates the share option for disk devices.</p> <p>Note: PRT1 stands either for a 3211 or a 3203-4 printer (The 3203-4 Printer cannot be assigned as 3203.)</p>
	BATCH Valid for AR	{ BG } { Fn }	Start, or continue processing. If specified partition was halted by STOP command, it is made active; same function as START command.
	CANCEL Valid for AR	{ BG } { Fn }	Cancels execution of current job in specified partition.
	CANCEL Valid for JCC	blank	Cancels execution of current job.

Figure 26. Job Control Summary (Part 2 of 8)

Name	Operation	Operand	Remarks
[//]	CLOSE Valid for JCS, JCC	SYSxxx [X'cuu' [,X'ss'] ,UA ,IGN ,ALT ,SYSyyy	SYSxxx } for magnetic tape for DASD (JCC only) SYSyyy } SYSPCH SYSIN SYSLST SYSRDR SYSOUT SYSIPT SYSnnn SYSPCH X'cuu',X'ss',UA,IGN,ALT: Values as described in ASSGN command.
//	DATE Valid for JCS	mm/dd/yy or dd/mm/yy	mm: month (01-12) dd: day (01-31) yy: year (00-99)
//	DLAB Valid for JCS	'label fields 1-3', xxxx.yyddd.yyddd,'system code'[,type]	'label fields 1-3': first three fields of Format 1 DASD file label. Is a 51-byte character string, contained within apostrophes and followed by a comma. Entire 51-byte field must be contained in the first of the two statements. Field 1 is the file name (44-byte alphanumeric); field 2 is the format identifier (1-byte numeric); field 3 is the file serial number (6-byte alphanumeric). C: any nonblank character in column 72. xxxx: volume sequence number (4-digit numeric). Must begin in column 16 of the continuation statement. Columns 1-15 are blank. yyddd,yyddd: file creation date followed by file expiration date. Each is 5-digit numeric. 'system code': not required. When used, a 13-character string, within apostrophes. type: SD, DA, ISC, or ISE. If omitted, SD is assumed.
//	DLBL Valid for JCS	filename, ['file-ID'], [date], [codes] [,DSF] [,BUFSP=n] [,CAT=filename] [,BLKSIZE=n] (See Note 1)	filename: one to seven alphanumeric characters, the first of which must be alphabetic. 'file-ID': one to forty-four alphanumeric characters (one to eight alphanumeric characters for the 3540 diskette). date: one to six characters (yy/ddd for expiration date or yyddd for retention period). codes: two to four alphabetic characters. DSF: data secured file. Invalid for 3540 diskette and for VSAM. BUFSP=n: for VSAM files. One to six digits (0-999999). CAT=filename for VSAM files. For filename specify one to seven alphanumeric characters. BLKSIZE=n: a number from 1 to 32,768 (only valid for SAM files on 3350 and 3330-11)
	DSPLY Valid for AR	XXXXXX	Displays 16 bytes of virtual storage.
	DUMP Valid for AR	Blank S BG Fn BGS FnS PDAREA address,address	Dumps specified areas of virtual storage. *Parameter causes dump on the SYSLST assigned to the specified partition. Default is BG SYSLST. blank: general registers plus all real and virtual partitions currently occupied by programs. S: general registers, all real and virtual partitions currently occupied by programs, and supervisor area. BG,Fn: applicable real or virtual partition currently occupied by program, and associated registers. BGS,FnS: applicable real or virtual partition currently occupied, registers, and supervisor area. PDAREA: PD table PD area, and AAA. address: address: start and end addresses of storage are to be dumped. Associated general registers are also dumped.

Note 1: If the DLBL and EXTENT statements for a private core image library are in the input stream (that is, the information is not contained on the label cylinder), they must precede the ASSGN SYSCLB command.

Figure 26. Job Control Summary (Part 3 of 8)

Name	Operation	Operand	Remarks
	DVCDN Valid for JCC	X'cuu'	X'cuu': c = 0-6 in hex uu = 00-FE (0-254) in hex
	DVCUP Valid for JCC	X'cuu'	X'cuu': c = 0-6 in hex uu = 00-FE (0-254) in hex
	END or ENTER Valid for JCC, AR,	blank	end of SYSLOG communications END key for the 3210 and 3215 ENTER key for DOC and 3277
	ENDSD Valid for AR	blank	Terminates execution of SD aids program.
[//]	EXEC Valid for JCS and JCC	[[PGM=]progrname][,REAL][,SIZE=size] PROC=procname[,OV]	PGM=progrname: one to eight alphanumeric characters. Used only if the program is in the core image library. REAL: the respective program is to be executed in real mode. SIZE=size: can be the following: nK: size of area required AUTO: take program size (AUTO,nK): take program size plus nK. PROC=procname: name of cataloged procedure to be retrieved. One to eight alphanumeric characters. OV: indicates that overwrite statements follow EXEC statement.
//	EXTENT Valid for JCS	[symbolic-unit], [serial-number][,type], [sequence-number], [relative-track], [number-of-tracks], [split-cylinder-track], [B=bins] (See Note 1)	symbolic unit: six alphanumeric characters serial number: one to six alphanumeric characters type: one numeric character sequence number: one to three numeric characters relative track: one to five numeric characters number of tracks: one to five numeric characters split cylinder track: one or two numeric characters bins: one or two numeric characters
	HOLD Valid for JCC	Fn [,Fn]...	Used to deactivate a partition.
	IGNORE Valid for AR and JCC	blank	Ignore abnormal condition.
//	JOB Valid for JCS	jobname [accounting information]	jobname: one to eight alphanumeric characters accounting information: one to 16 characters
//	LBLTYP Valid for JCS	{TAPE[(nn)]} {NSD (nn)}	TAPE: Used when tape files requiring label information are to be processed and no nonsequential disk files are to be processed. (nn): Optional and is present only for future expansion (it is ignored by job control). NSD: Nonsequential disk files are to be processed. (nn): Largest number of extents per single file.
	LFCB valid for: AR	X'cuu',phasename [,FORMS = xxxx] [,LPI = n] [,NULMSG]	Causes the FCB image of printer X'cuu' to be loaded.
[//]	LISTIO Valid for JCS JCC	{SYS PROG BG Fn ALL SYSxxx UNITS DOWN UA X'cuu'}	Causes listing of I/O assignments on SYSLST for JCS and SYSLOG for JCC.

Figure 26. Job Control Summary (Part 4 of 8)

Name	Operation	Operand	Remarks
	LOG Valid for JCC AR	blank	Causes logging of job control statements on SYSLOG.
	LUCB valid for: AR	X'cuu',phasename [,FOLD] [,NOCHK] [,TRAIN = xxxxxx] [,NULMSG]	Causes the UCB image of printer X'cuu' to be loaded.
	MAP Valid for JCC AR	blank	Produces (on SYSLOG) storage areas allocated to partitions.
	MODE Valid for AR	$\left(\begin{array}{l} \text{IR} \\ \text{CR} \\ \text{CE, cuu } \left[\begin{array}{l} ,I[xx,y] \\ ,D[xx,y] \\ ,N \end{array} \right] \\ \text{R} \\ \text{STATUS} \\ \text{HIR} \left[\begin{array}{l} ,R \\ ,M \\ ,C \end{array} \right] \left[\begin{array}{l} ,Q \\ ,TH \end{array} \right] \left[\begin{array}{l} ,E=eeee \\ ,T=tttt \end{array} \right] \end{array} \right)$	Changes the mode of operation, changes the EFL threshold values, and gives status information. *Note: When HIR or ECC is specified, at least one of the optional operands must be selected. TH is only valid for the Models 145 and 148 when ECC,C is specified with the MODE command.
	MSG Valid for AR	{ BG } { Fn }	Transfer control to an operator communications routine of a particular partition previously activated by a STXIT command.
[//]	MTC Valid for JCS JCC	opcode, { SYSxxx } [nn] X'cuu'	opcode: BSF, BSR, DSE, ERG, FSF, FSR, REW, RUN, or WTM. SYSxxx: any logical unit. X'cuu': (Only valid for JCC) c = 0-6, uu = FE (0-254) in hex nn: decimal number (01-99).
	NEWVOL Valid for AR	{ BG } { Fn }	Indicates that a new volume has been mounted for the specified partition.
	NOLOG Valid for JCC AR	blank	Suppresses logging of job control statements and commands on SYSLOG, except ALLOC, ALLOCR, DVCDN, DVCUP, EOJ (/&), EOP (/+), HOLD, JOB, MAP, PAUSE, * and STOP. AR affects all partitions in which NOLOG is issued.
//	OPTION Valid for JCS	option 1 [,option 2...]	<p>option:</p> <ul style="list-style-type: none"> LOG can be any of the following NOLOG Log control statements on SYSLST DUMP Suppress LOG option PARTDUMP Dump registers, supervisor area, and temporary real or virtual partition on SYSLST in case of abnormal program end. Dump registers, selected supervisor control blocks, and temporary real or virtual partition on SYSLST in case of abnormal program end. NODUMP Suppress DUMP or PARTDUMP option LINK Write output of language translator on SYSLNK for linkage editing NOLINK Suppress LINK option DECK Output object module on SYSPCH NODECK Suppress DECK option EDECK Punch source macro definitions on SYSPCH NOEDECK Suppress EDECK option ALIGN Align constants and data areas on boundaries NOALIGN Suppress ALIGN option LIST Output listing of source module on SYSLST NOLIST Suppress LIST option LISTX Output of object module on SYSLST SYM Produce symbol table or data division map on SYSLST NOSYM Suppress SYM option XREF Output symbolic cross-reference list on SYSLST NOXREF Suppress XREF option ERRS Output listing of all errors in source program on SYSLST NOERRS Suppress ERRS option RLD Output listing of RLD information on SYSLST NORLD Suppress RLD option ACANCEL Cancel job if attempt to assign device is unsuccessful

Figure 26. Job Control Summary (Part 5 of 8)

Name	Operation	Operand	Remarks
	(OPTION continued)		NOACANCEL Await operator action if a device cannot be assigned CATAL Catalog program or phase in core image library after completion of Linkage Editor run STDLABEL Causes all DASD or tape labels to be written on the standard label track USRLABEL Causes all DASD or tape labels to be written on the user label track PARSTD Causes all DASD or tape labels to be written on the partition standard label track 48C 48 - character set 60C 60 - character set SYSPARM='string' specifies a value for assembler system variable symbol and SYSPARM SUBLIB=DF Causes assembler and ESERV program to retrieve non-edited macros and copy-books from D-sublibrary and edited macros from the F-sublibrary of the source statement library. SUBLIB=AE Causes assembler and ESERV program to retrieve non-edited macros from the E-sublibrary and edited macros from the E-sublibrary of the source statement library.
//	OVEND Valid for JCS, JCC	[comments]	Indicates end of overwrite statements for a cataloged procedure.
//	PAUSE Valid for JCS	[comments]	Causes pause immediately after processing this statement. PAUSE statement is always printed on SYSLOG. If no 3210, 3215, or DOC is available, the statement is ignored.
	PAUSE Valid for AR, JCC	{ BG } { Fn } [EOJ]	Causes pause at end of current job step or at end of job.
	PRTY Valid for AR	blank partition,partition, ...	Allows the operator to display the priority of partitions. Allows the operator to change the priority of partitions.
//	RESET Valid for JCS JCC	{ SYS PROG } { ALL SYSxxx }	Resets I/O device assignments. SYSxxx: SYSIN or SYSOUT cannot be specified.
	ROD Valid for JCC	blank	Causes all SDR counters for all nonteleprocessing devices on the recorder file on SYSREC to be updated from the SDR counters in storage.
//	RSTRT Valid for JCS	SYSxxx,nnnn[filename]	SYSxxx: symbolic unit name device on which the checkpoint records are stored. Can be SYSnnn. nnnn: four character identification of the checkpoint record to be used for restarting. filename: symbolic name of the DASD file to be used for restarting.
	SET Valid for JCC	[,UPSI=n1][,LINECT=n2] [,RCLST=n3][,RCPCH=n4] [,RF=n5][,DATE=n6] [,HC=n7][,SVA=n8][,SDL=n9]	Note: The order of the operands is arbitrary. n1 = 1 to 8 digits of 0, 1, or X. (X = ignore; unspecified rightmost positions are assumed to be X.) n2 = standard number of lines (30-99) for output on each page of SYSLST. n3 = decimal number (default = 1000) indicating minimum number of SYSLST disk records remaining to be written before operator warning. n4 = decimal number (100-65535) indicating minimum number of SYSPCH disk records remaining to be written before operator warning. n5 = { YES } defines status of recorder file (IJSYSRC) on SYSREC. { CREATE } n6 = { mm/dd/yy } date defaults to system generation { dd/mm/yy } mm: month (01-12) dd: day (01-31) yy: year (00-99)

Figure 26. Job Control Summary (Part 6 of 8)

Retain this page and the Advanced Functions – DOS/VS page

Name	Operation	Operand	Remarks
	(OPTION continued)		<p>NOACANCEL Await operator action if a device cannot be assigned</p> <p>CATAL Catalog program or phase in core image library after completion of Linkage Editor run</p> <p>STDLABEL Causes all DASD or tape labels to be written on the standard label track</p> <p>USRLABEL Causes all DASD or tape labels to be written on the user label track</p> <p>PARSTD Causes all DASD or tape labels to be written on the partition standard label track</p> <p>48C 48 - character set</p> <p>60C 60 - character set</p> <p>SYS Parm='string' specifies a value for assembler system variable symbol and SYSPARM</p> <p>SUBLIB=DF Causes assembler and ESERV program to retrieve non-edited macros and copy-books from D-sublibrary and edited macros from the F-sublibrary of the source statement library.</p> <p>SUBLIB=AE Causes assembler and ESERV program to retrieve non-edited macros from the E-sublibrary and edited macros from the E-sublibrary of the source statement library.</p>
//	OVEND Valid for JCS, JCC	[comments]	Indicates end of overwrite statements for a cataloged procedure.
//	PAUSE Valid for JCS	[comments]	Causes pause immediately after processing this statement. PAUSE statement is always printed on SYSLOG. If no 3210, 3215, or DOC is available, the statement is ignored.
	PAUSE Valid for AR, JCC	{ BG } { FN } [EOJ]	Causes pause at end of current job step or at end of job.
	PRTY Valid for AR	blank partition,partition, ...	Allows the operator to display the priority of partitions. Allows the operator to change the priority of partitions.
//	RESET Valid for JCS JCC	{ SYS } { PROG } { ALL } { SYSxxx }	Resets I/O device assignments. SYSxxx: SYSIN or SYSOUT cannot be specified.
	ROD Valid for JCC	blank	Causes all SDR counters for all nonteleprocessing devices on the recorder file on SYSREC to be updated from the SDR counters in storage.
//	RSTRT Valid for JCS	SYSxxx,nnnn[filename]	<p>SYSxxx: symbolic unit name device on which the checkpoint records are stored. Can be SYSnnn.</p> <p>nnnn: four character identification of the checkpoint record to be used for restarting.</p> <p>filename: symbolic name of the DASD file to be used for restarting.</p>
	SET Valid for JCC	[UPSI=n1][LINECT=n2] [RCLST=n3][RCPCH=n4] [RF=n5][DATE=n6] [HC=n7][SVA=n8][SDL=n9]	<p>Note: The order of the operands is arbitrary.</p> <p>n1 = 1 to 8 digits of 0, 1, or X. (X = ignore; unspecified rightmost positions are assumed to be X.)</p> <p>n2 = standard number of lines (30-99) for output on each page of SYSLST.</p> <p>n3 = decimal number (default = 1000) indicating minimum number of SYSLST disk records remaining to be written before operator warning.</p> <p>n4 = decimal number (100-65535) indicating minimum number of SYSPCH disk records remaining to be written before operator warning.</p> <p>n5 = { YES } { CREATE } defines status of recorder file (IJSYSRC) on SYSREC.</p> <p>n6 = { mm/dd/yy } date defaults to system { dd/mm/yy } generation mm: month (01-12) dd: day (01-31) yy: year (00-99)</p>

Figure 26. Job Control Summary (Part 6 of 8)

Retain this page and the Advanced Functions – DOS/VS page

Name	Operation	Operand	Remarks
	(SET continued)		<p>n7 = $\left. \begin{matrix} \text{YES} \\ \text{NO} \\ \text{CREATE} \end{matrix} \right\}$ Hard copy file exists. No recording performed. Creates a hard copy file.</p> <p>n7 defines the status of the hard copy file on SYSREC.</p> <p>n8 = storage size in the format (nK,nK) for SVA and GETVIS area, respectively.</p> <p>n9 = specify CREATE to have the system directory list (SDL) built in the SVA.</p>
	SETDF Valid for AR	$\left. \begin{matrix} 3800 \\ \text{cuu} \\ \text{X'cuu'} \end{matrix} \right\}$ [,BURST={Y N}] [,CHARS={table name}] [,FCB={fcb name}] [,FLASH={overlay name}] [,FORMS={forms name}] [,LIST] [,MODIFY={copymod name}] [,RESET]	<p>Allows the operator to set and/or reset default values for the 3800 printer.</p> <p>BURST: Forms bursting request</p> <p>table name: 1- to 4-character name of character arrangement table</p> <p>fcb name: 1- to 4-character FCB name</p> <p>overlay name: 1- to 4-character name of forms overlay</p> <p>forms name: 1- to 4-character forms identifier</p> <p>LIST: specifies listing defaults</p> <p>copymod name: 1- to 4-character copy modification phase name</p> <p>RESET: resets the 3800 to hardware defaults</p>
[//]	SETPRT Valid for JCS and JCC	SYSxxx $\left. \begin{matrix} \text{BURST}=\{N\} \\ \text{Y} \\ \text{.} \end{matrix} \right\}$ $\left. \begin{matrix} \text{CHARS}=\{ \text{table name} \\ \text{(table name, . . .)} \\ \text{table name} \} \end{matrix} \right\}$ [,COPIES=n] $\left. \begin{matrix} \text{DCHK}=\{B\} \\ \text{U} \end{matrix} \right\}$ $\left. \begin{matrix} \text{DEBUG}=\{ \text{NORM} \\ \text{TERM} \\ \text{DUMP} \\ \text{TRAC} \} \end{matrix} \right\}$ $\left. \begin{matrix} \text{DFLT}=\{N\} \\ \text{Y} \end{matrix} \right\}$ $\left. \begin{matrix} \text{FCB}=\{ \text{fcb name} \\ \text{(fcb name,V)} \\ \text{(*,V)} \} \end{matrix} \right\}$ $\left. \begin{matrix} \text{FLASH}=\{ \text{overlay name} \\ \text{(overlay name} \\ \text{[, { count 255 }]} \\ \text{(count) } \\ \text{(*[, { count 255 }]} \} \} \end{matrix} \right\}$ $\left. \begin{matrix} \text{FORMS}=\{ \text{forms name} \} \\ \text{.} \end{matrix} \right\}$ $\left. \begin{matrix} \text{INIT}=\{N\} \\ \text{Y} \end{matrix} \right\}$	<p>Sets the 3800 printer with user-specified values.</p> <p>SYSxxx can be SYSLST SYSLOG SYSnnn</p> <p>At least one more parameter must be specified.</p> <p>BURST: Forms bursting request</p> <p>table name: 1- to 4-character name of character arrangement table</p> <p>COPIES=n: n is 1 to 255 copies in the copy group</p> <p>DCHK: B blocks or U unblocks data checks</p> <p>DEBUG: Problem determination and isolation</p> <p>DFLT: Y sets printer defaults</p> <p>fcb name: 1- to 4-character FCB name (without system-assigned prefix) V: requests FCB verification</p> <p>overlay name: 1- to 4-character alphameric name of forms overlay</p> <p>count: number from 0 to 255, of copies to be flashed</p> <p>forms name: 1- to 4-character alphameric forms identifier</p> <p>INIT: Y resets printer to hardware defaults</p>

Figure 26. Job Control Summary (Part 7 of 8)

Name	Operation	Operand	Remarks
	(SETPRT continued)	$\left[\begin{array}{l} \text{,MODIFY} = \left\{ \begin{array}{l} \text{copymod name} \\ \text{(copymod name,} \\ \text{table name)} \end{array} \right\} \\ \text{,SEP=O} \\ \text{,TRC} = \left\{ \begin{array}{l} \text{N} \\ \text{Y} \end{array} \right\} \end{array} \right]$	copymod name: 1- to 4-character copy modification phase name (without system-assigned prefix) SEP=O: specifies offset stacking of burst output TRC: Y specifies that table reference character is first character of each output data line
	START Valid for AR	$\left[\begin{array}{l} \text{BG} \\ \text{Fn} \end{array} \right]$	BG: Job control reads next control statement from SYSLOG. Fn: Specifies that an inactive or stopped foreground partition is to be started. (See also BATCH command.)
	STOP Valid for JCC	blank	Indicates that there are no more jobs to be executed in partition specified. Not valid in a single partition system.
//	TLBL Valid for JCS	filename,[file-ID],[date], [file-serial-number], [volume-sequence-number], [file-section-number], [generation-number], [version-number] Note : For ASCII file processing the fourth and fifth operands are called set identifier and file section number, respectively.	filename: one to seven alphameric characters, the first of which must be alphabetic. 'file-ID': one to 17 alphameric characters. date: one to six numeric characters (yy/dddd or dddddd). $\left\{ \begin{array}{l} \left[\begin{array}{l} \text{file serial number (EBCDIC): one to six alphameric characters} \\ \left[\begin{array}{l} \text{set identifier (ASCII): six alphameric characters} \end{array} \right] \end{array} \right\}$ $\left\{ \begin{array}{l} \left[\begin{array}{l} \text{volume sequence number (EBCDIC)} \\ \left[\begin{array}{l} \text{file section number (ASCII)} \end{array} \right] \end{array} \right\} \left. \begin{array}{l} \text{one to four} \\ \text{numeric characters} \end{array} \right\}$ file sequence number: one to four numeric characters. generation number: one to four numeric characters. version number: one to two numeric characters.
	TPBAL Valid for AR	$\left[\begin{array}{l} \text{n} \end{array} \right]$	n = number of partitions in which processing can be delayed (0,1,2,..., number of partitions minus one). Allows the operator to display or alter the status of the Teleprocessing Balancing function.
//	TPLAB Valid for JCS	$\left\{ \begin{array}{l} \text{'label fields 3-10'} \\ \text{'label fields 3-13'} \end{array} \right\} \text{C}$	'label fields 3-10': Indicated fields of the standard tape file label for either EBCDIC or ASCII files. A 49-byte character string, contained within apostrophes. 'label fields 3-13': Same as above, except that character string is 69 bytes long, requiring a continuation character in column 72 of first line. C: Any nonblank character in column 72.
	UCS Valid for JCC	$\text{SYSxxx,phasename} \left[\begin{array}{l} \text{FOLD} \\ \text{BLOCK} \end{array} \right] \left[\begin{array}{l} \text{NULMSG} \end{array} \right]$	Causes the 240-character universal character set contained in the core image library phase specified by phasename to be loaded as buffer storage in the IBM 2821 Control Unit. If SYSxxx is assigned to a 1403 or 5203 printer, the UCS feature must be present.
	UNBATCH Valid for JCC	blank	Terminates foreground processing.
//	UPSI Valid for JCS	nnnnnnnn	n: one to eight characters of 0, 1, or X. Unspecified rightmost positions are assumed to be X.
//	VOL Valid for JCS	SYSxxx,filename	SYSxxx: symbolic unit name. filename: one to seven alphameric characters, the first of which must be alphabetic

Figure 26. Job Control Summary (Part 7.1 of 8)

Name	Operation	Operand	Remarks
//	XTENT Valid for JCS	type,sequence,lower,upper 'serial no.',SYSxxx[B ₂]	<p>type: 1 for data area (no split cylinder) 2 for overflow area (for indexed sequential file) 4 for index area (for indexed sequential file) 128 for data area (split cylinder)</p> <p>sequence: sequence number of extent within multiextent file. Can be 0 to 255.</p> <p>lower: lower limit of extent in the form B₁C₁C₂C₂H₁H₂H₂</p> <p>where:</p> <p>B₁ = 0 for 2311 or 2314/2319; 0-9 for 2321 C₁C₁ = 00 for 2311 or 2314/2319; 00-19 for 2321 C₂C₂C₂ = 000-199 for 2311 or 2314/2319, 000-009 for 2321 H₁ = 0 for 2311 or 2314/2319; 0-4 for 2321 H₂H₂ = 00-09 for 2311; 00-19 for 2321, 2314/2319.</p> <p>Note that the last four strips of subcell 19 are reserved for alternate tracks for 2321.</p> <p>upper: upper limit of extent in the same form as for lower limit.</p> <p>'serial no.': 6-alphanumeric-character volume serial number contained within apostrophes.</p> <p>SYSxxx: symbolic unit name.</p> <p>B₂: 0 for 2311 or 2314/2319; 0-9 for 2321.</p>
//	ZONE Valid for JCS	{ EAST } { WEST } /hh/mm	<p>EAST: A geographical position east of Greenwich.</p> <p>WEST: A geographical position west of Greenwich.</p> <p>hh: A decimal value in the range 00-12.</p> <p>mm: A decimal value in the range 00-59.</p>
/+	Valid for JCS	[comments]	Indicates end of procedure.
/*	Valid for JCS	ignored	Indicates end of data.
/&	Valid for JCS	[comments]	Indicates end of job (EOJ).
*	Valid for JCS	comments	Comment card. Column 2 must be blank.

Figure 26. Job Control Summary (Part 8 of 8)

Appendix B: Linkage Editor Summary

FORMAT OF THE ESD STATEMENT

Card

Columns

- 1 Multiple punch (12-2-9).
Identifies this as a loader statement.
- 2 - 4 ESD -- External Symbol Dictionary statement.
- 11 - 12 Number of bytes of information contained in this statement.
- 15 - 16 External symbol identification number (ESID) of the first SD, PC, CM or ER on this statement. Relates the SD, PC, CM or ER to a particular control section.
- 17 - 72 Variable information.
 - 8 positions - Name
 - 1 position - Type code hex '00', '01', '02', '04', '05', or '0A' to indicate SD, LD, ER, PC, CM, or WX, respectively.
 - 3 positions - Assembled origin
 - 1 position - Blank
 - 3 positions - Length, if an SD-type, CM-type, or a PC-type. If an LD-type, this field contains the external symbol identification number (ESID) of the SD containing the label.
- 73 - 80 May be used by the programmer for identification.

FORMAT OF THE TXT STATEMENT

Card

Columns

- 1 Multiple punch (12-2-9).
Identifies this as a loader statement.
- 2 - 4 TXT -- Text statement.
- 6 - 8 Assembled origin (address of first byte to be loaded from this statement).
- 11 - 12 Number of bytes of text to be loaded.
- 15 - 16 External symbol identification number (ESID) of the control section (SD or PC) containing the text.

17 - 72 Up to 56 bytes of text -- data or instructions to be loaded.

73 - 80 May be used for program identification.

FORMAT OF THE RLD STATEMENT

Card

Columns

- 1 Multiple punch (12-2-9).
Identifies this as a loader statement.
- 2 - 4 RLD -- Relocation List Dictionary statement.
- 11 - 12 Number of bytes of information contained in this statement.
- 17 - 72 Variable information (multiple items).
 - a. Two positions - (relocation identifier) pointer to the ESID number of the ESD item on which the relocation factor of the contents of the address constant is dependent.
 - b. Two positions - (position identifier) pointer to the ESID number of the ESD item on which the position of the address constant is dependent.
 - c. One position - flag indicating type of constant, as follows:

Bits

- 0-2 ignored
- 3 0 - a nonbranch type load constant
- 1 - a branch type load constant
- 4-5 00 - load constant length = 1 byte
- 01 - load constant length = 2 bytes
- 10 - load constant length = 3 bytes

- 11 - load constant length = 4 bytes
- 17 - 22 Symbolic label supplied to the assembler if this label was not defined within the assembly.
- 6 0 - relocation factor is to be added
- 1 - relocation factor is to be subtracted
- 29 - 32 Control section length (if not specified in last SD or PC).
- 7 0 - Next load constant has different R and P identifiers; therefore, both R and P must be present.
- 73 - 80 Not used.
- 1 - Next load constant has the same R and P identifiers; therefore they are both omitted.

Five significant bits of this byte are expanded in the RSERV printout.

d. Three positions - assembled origin of load constant.

73 - 80 May be used for program identification.

FORMAT OF THE REP (USER REPLACE) STATEMENT

Card Columns

- 1 Multiple punch (12-2-9). Identifies this as a loader statement.
- 2 - 4 REP -- Replace text statement.
- 5 - 6 Blank.
- 7 - 12 Assembled address of the first byte to be replaced (hexadecimal). Must be right justified with leading zeros if needed to fill the field.
- 13 Blank.
- 14 - 16 External symbol identification number (ESID) of the control section (SD) containing the text (hexadecimal). Must be right justified with leading zeros if needed to fill the field.
- 17 - 70 From 1 to 11 4-digit hexadecimal fields separated by commas, each replacing two bytes. A blank indicates the end of information in this statement.
- 71 - 72 Blank.
- 73 - 80 May be used for program identification.

FORMAT OF THE END STATEMENT

Card Columns

- 1 Multiple punch (12-2-9). Identifies this as a loader statement.
- 2 - 4 END
- 6 - 8 Assembled origin of the label supplied to the assembler in the END statement (optional).
- 15 - 16 ESID number of the control section to which this END statement refers (only if 6-8 present).

Bibliography

This publication makes reference to the following publications:

DOS/VS System Management Guide, GC33-5371

DOS/VS Supervisor and I/O Macros, GC33-5373

DOS/VS Tape Labels, GC33-5374

DOS/VS DASD Labels, GC33-5375

DOS/VS System Generation, GC33-5377

DOS/VS Operating Procedures, GC33-5378

DOS/VS Messages, GC33-5379

DOS/VS Serviceability Aids and Debugging Procedures, GC33-5380

IBM 3211/3216/3811 Component Description and Operating Procedures, GA24-3543

IBM System/370 Model 125 Functional Characteristics, GA33-1506

IBM System/370 Model 115 Functional Characteristics, GA33-1510

IBM 3340 Fixed Head Feature User's Guide, GA26-1632

DOS/VS IBM 3800 Printing Subsystem Programmer's Guide, GC26-3900

DOS/VS and OS/VS TOLTEP for VTAM, GC28-0663

DOS/VS VTAM Network Operating Procedures, GC27-0025

DOS/VS POWER/VS Installation Guide and Reference, GC33-6048

DOS/VS POWER/VS Workstation User's Guide, GC33-6049

Retain this page and the Advanced Functions - DOS/VS page

Index

* comments statement 62
 /& end-of-job statement 61
 /* end-of-data file statement 61
 /+ end-of-procedure statement 61

A

abnormal condition 40
 ACTION statement 73
 EG 74
 CANCEL 74
 CLEAR 73
 linkage editor 73
 MAP 73
 NOAUTO 73
 NCMAP 73
 NOREL 74
 REL 74
 activate a partition (DOS/VS)
 BATCH 29
 START 54
 active real partition, size of 20
 activity log, update function 98
 ADD
 at IPL 11
 MAINT 95
 ESERV 116
 address area, invalid 34
 address constants modifying 65
 ALLOC 20
 allocate virtual address area 20
 CORGZ 99
 MAINT 94
 allocating the real address area 20
 allocation of partitions 20
 ALLCCR 20
 alphameric characters defined 10
 ALTER command 22
 assemble and execute mode 66
 assigning storage area 65
 assignment 24
 ACANCEL 49
 address list 25
 device-class 26
 device-type 27
 HOLD 40
 mixed devices 26
 multiple 22
 multivolume tapes 28
 permanent 24
 restrictions 24
 temporary 24
 ASSGN 22
 attention routine commands
 ALLOC 19
 ALLOCR 20
 ALTER 22
 BATCH 29
 CANCEL 29
 DSFLY 33
 DUMP 33
 END/ENTER 35
 ENDSD 35

IGNORE 40

LOG 42

MAP 44

MODE 44

MSG 47

NEWVOL 48

NOLOG 48

PRTY 51

SETDF 54

START 54.6

TPBAL 55

AUTOLINK (automatic library

look-up) 69

automatic library look-up

(AUTOLINK) 69

B

BATCH command 29
 BKEND, source statement library 87
 BLKSIZE operand 33
 blocksize specification 33
 bookname, source statement library 87
 buffer space specification for VSAM
 files 32
 | bursting output on 3800 54.1, 54.3

C

calling module 86
 CANCEL command 29
 card types, linkage editor
 END 65
 ESD 65
 REP 65
 RID 65
 SYM 65
 TXT 65
 CAT 12
 catalog mode 66
 catalog
 core image library 65
 procedure library 88
 relocatable library 86
 source statement library 87
 CATALP, procedure library 88
 CATALR, relocatable library 86
 CATALS, source statement library 87
 change priority 51
 | character arrangement tables
 (3800) 54.1, 54.3
 character definition, alphameric 10
 CLOSE command 29
 CM 66
 CMPSD operand (librarian) source
 statement library 144
 COL statement (librarian) 116
 commands and statements
 job control 17,138
 linkage editor 66, 147
 common (CM) 66
 condense a library 93
 condense limit 94

Retain this page and the Advanced Functions - DOS/VS page

CCNDL statement	94	DATE statement	30
CCNIS statement	93	DEBUG parameter	54.3
ccntinue processing	29, 54	default setting (3800)	54
control		defining page data set	12
card for running SYSBUFLD	131	defining recorder file status	53
statement format, librarian	85	DEL	
control dictionary	65	at IPL	12
ccntrl programs		MAINT	95
IPL	11	ESERV	116
job control	17	delete	
ccntrl statement		core image library	89
conventions	10	procedure library	91
job control format	17	relocatable library	90
librarian format	85	source statement library	90
placement, linkage editor	65	deleting a virtual foreground	
conventions, control statement	10	partition	20
copies in copy group (3800)	54.3	DELETC, core image library	89
copy		DELETP, procedure library	91
cntrl statements	99	DELETR, relocatable library	90
core image library	100	DELETS, source statement library	90
examples	126-130	description and format of job	
functions	99	control statements	17
IPL records	101	device	
private libraries	102	DVCDN	34
procedure library	101	DVCUP	35
relocatable library	100	priority	11
source statement library	100	sharing	22, 28
CCPY	100	specifications for tape	23
ALL statement	100	type codes in ADD command	11
copy modification (3800)	54.1-54.2, 54.5	diagnostic recording mode	44
COPYC	100	directory size	83
ALL statement	100	disk storage space	
NEW statement	100	required for directories	82
CCPYI	101	required for libraries	82
CCPYP	101	display	
ALL statement	101	core image library	109
NEW statement	101	directories	108
COPIR	100	priority	51
ALL statement	100	procedure library	118
NEW statement	100	relocatable library	111
COPYS	100	source statement library	113
ALL statement	100	display and punch	
NEW statement	100	core image library	111
core image library	82	procedure library	119
condense	93	relocatable library	112
copy	100	source statement library	114
delete	89	DLAB statement	30
display and punch	111	DLBL statement	31
display, CSERV	109	DPD command	12
MAINT program	85	DSE failure	47
punch, CSERV	110	DSERV program	108
reallocation	94	capacity for sort	108
rename	91	sort function	108
service programs	109	DSPCH statement	
size	83	core image library	111
transfer of data	103	macro sublibrary	115
CORGZ	99	procedure library	119
creation of		relocatable library	112
data-secured files	32	source statement library	114
files	31	DSPLY statement	
private libraries	102	core image library	109
CSERV program	109	directories	108
		macro sublibrary	115
D		procedure library	118
data check blocking/unblocking		relocatable library	111
(3800)	54.3	source statement library	113
data-secured files (creation of)	32	DSPLYS statement	108
		DUMP command	33
		dumping the program partition	47

E

EFL threshold 45
END
 card, CSERV output 110
 command 35
 statement (librarian)
 ESERV 117
 MAINT 96
 statement (linkage editor) 65, 148
end of control information 35
end-of-job entry 61
end-of-procedure 61
ending SD aids 35
ENDSD command 35
ENTER command 35
ENTRY statement 73, 66
 entry point 73
 linkage editor 73
 processed by MAINT 86
ER 66
error correction feature 12
ESD
 card, CSERV output 110
 card format 147
 card processed by MAINT 86
 card type 65
ESERV program 115
examples
 CORGZ 126
 MAINT 120
 service programs 123
 SYSBUFLD 134
EXEC
 command 35
 statement 35
executing a procedure 36
executing a program 35
EXTENT statement 37
extents, maximum 41
external references 65, 70
external symbol dictionary 65

F

failure, DSE 47
FCB loading, SYSBUFLD 133
feature
 data convert for tape 28
 error correction 12
 translate for tape 27
file
 IJSYSCL 105
 IJSYSPC 105
 IJSYSPPR 105
 IJSYSPS 105
 IJSYSRL 105
 IJSYSRS 105
 IJSYSSI 105
 new residence 105
fixed head feature (3340) 26
format
 CATALP, procedure library 88
 CATAIR, relocatable library 86
 CATALS, source statement
 library 87
 CCNDS, libraries 93

DELETC, core image library 89
DELETP, procedure library 91
DELETR, relocatable library 90
DELETS, source statement
 library 90
DSPCH, core image library 111
DSPCH, procedure library 119
DSPCH, relocatable library 112
DSPCH, source statement library 114
DSPLY, core image library 109
DSPLY, procedure library 118
DSPLY, relocatable library 111
DSPLY, source statement library 113
FCB card load 131
FCB phase 134
 job control statements 17
 language translator output
 cards 147
 librarian control statement 85
PUNCH, core image library 110
PUNCH, procedure library 118
PUNCH, relocatable library 112
PUNCH, source statement library 113
RENAMC, core image library 91
RENAMP, procedure library 92
RENAMR, relocatable library 92
RENAMS, source statement
 library 92
 UCB phase 131
UPDATE, source statement
 library 95
 user replace (REP) card 148
forming phases 99
forms control buffer (FCB) loading 134
function
 catalog, procedure library 188
 catalog, relocatable library 86
 catalog, source statement
 library 87
 commands and statements 19
 condense, libraries 93
 condense, special
 considerations 93
 copy 99
 delete, libraries 89
 display/punch, core image
 library 111
 display/punch, procedure
 library 119
 display/punch, relocatable
 library 112
 display/punch, source statement
 library 114
 display, core image library 109
 display, procedure library 118
 display, relocatable library 111
 display, source statement
 library 113
 MAINT program 85
 merge 103
 punch, core image library 110
 punch, procedure library 118
 punch, relocatable library 112
 punch, source statement
 library 113
 reallocation 94
 rename, libraries 91

service, core image library 109
 service, procedure library 118
 service, relocatable library 111
 service, source statement
 library 113
 update activity log 98
 update, source statement library 94

G
 GENCATALS statement (ESERV) 115
 GENEND statement (ESERV) 115
 generic assign (see ASSGN)
 Greenwich Mean Time 60

H
 hard wait state 11
 HCLD ccommand 40

I
 IGNCRE ccommand 40
 IJSYSCL 105
 IJSYSPC 105
 IJSYSPR 105
 IJSYSFS 105
 IJSYSRL 105
 IJSYSRS 105
 IJSYSSI 105
 inactive real partition 21
 INCLUDE statement
 linkage editor 66, 71
 MAINI 86
 initial program loading (IPL) 11
 initializing UPSI configuration 59
 intensive recording mode 45
 invalid address area 34
 invalid address space 34
 IPL (initial program loading) 11
 ADD ccommand 11
 CAT ccommand 12
 DEL ccommand 12
 DPD ccommand 12
 SET ccommand 13

J
 job accounting table 40
 job catalog (VSAM) 33
 job ccontrol ccommands
 ALLOC 19
 ALLCCR 20
 ASSGN 22
 EATCE 29
 CANCEL 29
 CLCSE 29
 LVC DN 34
 DVCUP 35
 END/ENTER 35
 EXIC 35
 HOLD 40
 IGNCRE 40
 LFCB 41
 LISTIO 42
 LOG 42

LUCB 43
 MAP 44
 MODE 44
 MSG 47
 MTC 47
 NEWVOL 48
 NOLOG 48
 OVEND 51
 PAUSE 51
 PRTY 51
 RESET 51
 ROD 52
 SET 52
 START 54
 STOP 54
 TPBAL 55
 UCS 57
 UNBATCH 59

job control statements

* 62
 /& 61
 /* 61
 /+ 61
 ASSGN 22
 CLOSE 29
 DATE 30
 DLAB 30
 DLBL 31
 EXEC 35
 EXTENT 37
 JOB 40
 LBLTYP 41
 LISTIO 42
 MTC 47
 OPTION 48
 OVEND 51
 PAUSE 51
 RESET 51
 RSTRT 52
 sequence of 19
 TLBL 55
 TPLAB 56
 UPSI 59
 VOL 59
 XTENT 59
 ZCNE 60

job control
 commands, description and
 format 19
 example 62
 statements, description and
 format 17
 summary 137
 job-to-job transition 19
 JOB statement 40

L
 label definition (LD) 66
 label reference (LR) 66
 language translator modules 65
 LBLTYP
 command 41
 statement 41
 statement, in LNKEDT job stream 79
 LD (label definition) 66

Retain this page and the Advanced Functions - DOS/VS page

LD/LR label definition and reference 66
 LFCB ccommand 41
 librarian
 ctrl statement format 85
 copy examples 126
 CORGZ, CCPY program 99
 CORGZ, MERGE program 103
 CSERV, core image library 109
 display examples 123
 DSERV, directory service 108
 ESERV, source statement library 115
 function 81
 MAINT, 85
 MAINT, examples 120
 processing requirements 81
 PSERV, procedure library 118
 punch examples 124
 reallocation 94
 RSERV, relocatable library 111
 SSERV, source statement library 113
 libraries, creation of private 102
 library size
 core image 83
 procedure 85
 relocatable 83
 source statement 84
 line numbers, specifying 53
 link edit job, example of setup 78
 linkage editor
 ACIICN statement 73
 ctrl statement format and placement 66
 ENTRY statement 73
 INCLUDE statement 71
 input and output, example of 79
 input restrictions 78
 job setup 78
 map 75
 overlay structure 72
 PHASE 67
 summary 147
 LISTIC ccommand 42
 LISTIC statement 42
 load and execute mode 66
 LOG ccommand 42
 LR (label reference) 66
 LUB table entry 11
 LUCB ccommand 43

M
 machine check interrupt (MCI) 44
 machine check interrupt, recoverable 44
 MACFO 87
 main page pool 21
 main page pool, minimum 21
 MAINT program 85
 examples 120
 maintenance of private libraries 85
 MAP ccommand 44
 map
 of linkage editor 75
 of storage areas 44
 master catalog (VSAM) 33
 MCI (machine check interrupt) 44
 MEND, source statement library 87

merge function
 considerations 104
 direction of transfer 105
 job sample setup 106
 MERGE
 functions, examples 106
 statement 103
 minimum virtual partition 20
 MODE command 44
 mode
 assemble and execute 66
 catalog 66
 load and execute 66
 no recording 45
 quiet 46
 recording 46
 threshold 46
 modifying address constants
 contents 65
 modifying copies (3800) 54.1, 54.5
 module TXT items 65
 MSG command 47
 MTC command 47
 MTC statement 47
 multiple assignments 22
 multivolume tape files 28

N
 newname, source statement library 92
 NEWVOL statement 48
 CORGZ 102
 NOLOG command 48
 no recording mode 45
 NRS (new system residence file), MERGE 103

O
 object module 65
 object module, relocatable 65
 offset stacking 3800 output 54.5
 oldname, source statement library 92
 omitting the JOB card 40
 OPTION statement 47
 ACANCEL 49
 ALIGN 49
 CATAL 49
 DECK 49
 DUMP 48
 EDECK 49
 ERRS 49
 in LNKEDT job stream 79
 LINK 48
 LIST 49
 LISTX 49
 LOG 48
 NOACANCEL 49
 NOALIGN 49
 NODECK 49
 NODUMP 48
 NOEDECK 49
 NOERRS 49
 NOLINK 49
 NOLIST 49
 NOLISTX 49
 NOLOG 48
 NOSYM 49
 NOXREF 49

Retain this page and the Advanced Functions - DOS/VS page

size 83
 transfer of data 104
 relocatable object module 65
 relocating the control section
 origin 65
 relocation factor 65
 relocation list dictionary 65
 remaining disk capacity,
 specifying the 52
 RENAMC, core image library 91
 RENAME, procedure library 92
 RENAMR, relocatable library 92
 RENAMS, source statement library 92
 rename
 core image library 91
 procedure library 92
 relocatable library 92
 source statement library 92
 REP statement
 librarian 96
 ESERV 117
 MAINT 96
 linkage editor 65, 148
 user replace statement 65
 RES (system residence file), MERGE 103
 RESET
 command 51
 statement 51
 reset 3800 printer defaults 54-54.2
 resident disk pack 11
 resolving references between
 modules 65
 restarting IPI procedure 10
 restrictions
 for system logical unit
 assignments 24
 linkage editor input 78
 retrieving cataloged procedures 36
 RLD
 card format 147
 card type 65
 RLD items 65
 RCD (record on demand) command 52
 RCOI 68
 RSERV program 111
 RST statement (librarian) 117
 RSTRT statement 52

S
 SD (section definition) 66
 SIAID program terminating 35
 SDL 21, 54
 section definition (SD) 66
 selected procedures 104
 selecting disk drive address 11
 sequence numbering 96
 examples of 99
 functional characteristics 98
 service functions
 core image library (CSERV) 109
 directories (DSERV) 108
 edited macros (ESERV) 115
 procedure library (PSERV) 118
 relocatable library (RSERV) 111
 source statement library
 (SSERV) 113
 SET command
 IPL 13
 job control 52
 set condense limit 94
 SETDF command 54
 SETPRT command or statement 54.2
 shared virtual area 20
 SHR parameter, ASSGN 28
 sort function of DSERV 108
 source statement library 84
 catalog 87
 condense 93
 copy 100
 delete 90
 display 113
 display and punch 114
 MAINT 85
 punch 113
 reallocation 94
 rename 92
 service functions 113
 size 84
 sublibrary 92
 transfer of data 104
 update 94
 sources of linkage editor input 67
 specifying line numbers 53
 specifying the partition 19
 specifying the supervisor (via SYSLOG) 11
 specifying remaining disk capacity 52
 SSERV program 113
 start address, moving 20
 START command 54.6
 start processing 29, 54
 start time 40
 statement
 * comments 62
 /8 end of job 61
 /* end of data 61
 /+ end of procedure 61
 ACTION 73
 ADD, source statement library 95
 ASSGN 22
 BKEND 87
 CATALP, procedure library 88
 CATALR, relocatable library 86
 CATALS, source statement
 library 87
 CLOSE 29
 CONDL 94
 CONDS 93
 COPY 99
 COPYC 100
 COPYI 101
 COPYP 101
 COPYR 100
 COPYS 100
 DATE 30
 DEL, source statement library 95
 DELETC, source statement
 library 89
 DELETP, procedure library 91
 DELETR, relocatable library 90
 DELETS, source statement
 library 90
 DLAB 30
 DLBL 31
 DSPCH, core image library 111
 DSPCH, procedure library 119
 DSPCH, relocatable library 112

Retain this page and the Advanced Functions - DOS/VS page

user replace (REP) statement 148

V

value of job zone field 60
VER statement (librarian) 116
virtual background partition,
 minimum permissible size 20
virtual foreground partition
 changing the size 20
 deleting 20
 maximum size allowed 20
 unspecified 20
virtual partition, minimum 19
virtual storage, print 33
VCL statement 59
VSAM
 buffer space specification 32
 job catalog 33
 master catalog 33
 SVA-eligible phases 36

W

wait state 11
WX (weak external reference) 66
WXTRN (weak external reference) 66

X

XTENT statement 59

Z

ZONE statement 60

3203, PRT1, and 5203
 buffer load examples 133
 buffer loading by SYSBUFLD 131
3800 Printing Subsystem
 SETDF command 54
 SETPRT command or statement 54.2

GC33-5376-5

This sheet is for comments and suggestions about this manual. We would appreciate *your* views, favorable or unfavorable, in order to aid us in improving *this* publication. This form will be sent directly to the author's department. Please include your name and address if you wish a reply. Contact your IBM branch office for answers to technical questions about the system or when requesting additional publications. Thank you.

Name

Address

How did you use this manual?

As a reference source

As a classroom text

As a self-study text

What is your occupation?

Your comments* and suggestions:

* We would especially appreciate your comments on any of the following topics:

Clarity of the text

Organization of the text

Accuracy

Cross-references

Index

Tables

Illustrations

Examples

Appearance

Printing

Paper

Binding

YOUR COMMENTS, PLEASE . . .

This manual is part of a library that serves as a reference source for systems analysts, programmers and operators of IBM systems. Your answers to the questions on the back of this form, together with your comments, will help us produce better publications for your use. Each reply will be carefully reviewed by the persons responsible for writing and publishing this material. All comments and suggestions become the property of IBM.

Please note: Requests for copies of publications and for assistance in utilizing your IBM system should be directed to your IBM representative or to the IBM sales office serving your locality.

Fold

Fold

FIRST CLASS
PERMIT NO. 1359
WHITE PLAINS, N. Y.

BUSINESS REPLY MAIL
NO POSTAGE STAMP NECESSARY IF MAILED IN THE UNITED STATES



POSTAGE WILL BE PAID BY . . .

IBM Corporation
1133 Westchester Avenue
White Plains, N.Y. 10604

Attention: Department 813 BP

Fold

Fold

CUT ALONG THIS LINE

DOS/VS System Control Statements Printed in U.S.A. GC33-5376-5



International Business Machines Corporation
Data Processing Division
1133 Westchester Avenue, White Plains, New York 10604
(U.S.A. only)

World Trade Corporation
United Nations Plaza, New York, New York 10017

IBM

**International Business Machines Corporation
Data Processing Division
1133 Westchester Avenue, White Plains, New York 10604
(U.S.A. only)**

**IBM World Trade Corporation
821 United Nations Plaza, New York, New York 10017
(International)**